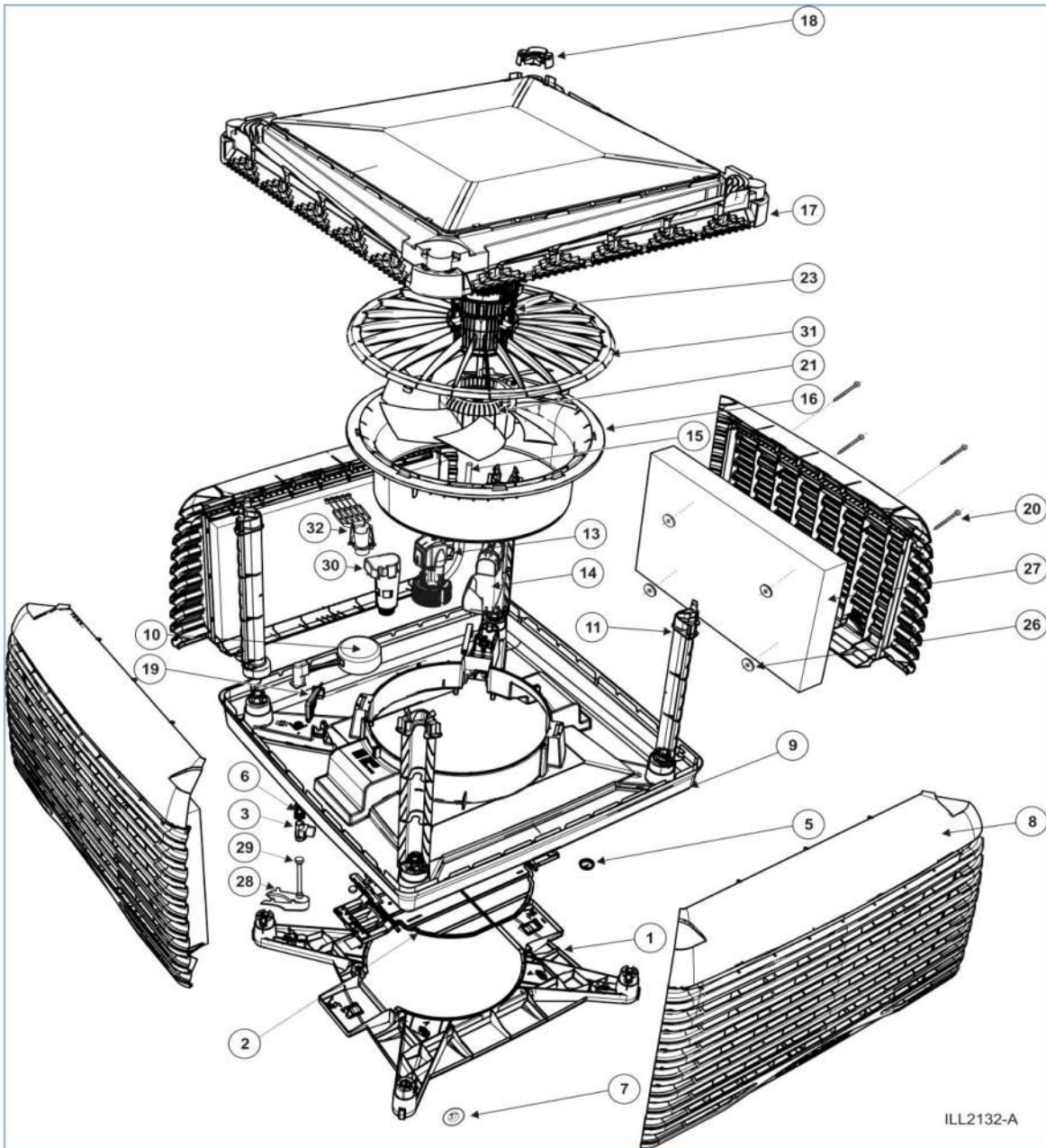


ITEM NO.	PART NO.	PART NAME	DESCRIPTION/COMMENTS	TBA 550	TBS 580	Qty required
4	560601	Pad Frame Beige LARGE		X		
4	560595	Pad Frame Grey LARGE		X	X	
	114606EMEA	Chillcel TBA Lge 526h*850*90 (4 pack)	packed as 4 - replaces p/n 110578	X		
	116242EMEA	Chillcel TBS Lge 526h*850*120 (4 pack)	packed as 4		X	
	561067	Pad Pin 155 mm	Minimum quantity order 16 (Price as each) - replaces p/n 401959 and 561066	X	X	
	401966	Pad Pin Washer	Minimum quantity order 16 (Price as each)	X	X	
20	560021	Top Lid Beige		X		
20	560014	Top Lid Grey		X	X	
9	560069RP	Base Tank Beige		X		
9	560052RP	Base Tank Grey		X	X	
10	560236	Corner Post Large	4 of per Cooler	X	X	
1	111650	Transition Assy & Weather Seal Flaps	Previously p/n 116228 Transition Assy only -with Striker Plate.	X	X	
3	560359	Transition Plug	Seals un-used hole	X	X	
2	931524	Weather Seal Flaps (each)	2 per Cooler	X	X	
13	095806	Tornado Pump	230V/50HZ	X	X	
	594927	Base Filter Tornado Pump - Straight	Screw fit	X	X	
	594929	Base Filter Tornado Pump - Tapered	Bayonet fit		X	
	620589	Pump restrictor	Discontinued. Now moulded into Lid	X	X	
18	814841	Pump Hose 19mm	Sold per metre , TBA550 =925mm	X	X	
21	560205	Distributor Cap		X	X	
12	536019	Foam Float		X	X	
12	104072	Valve and Arm Assy	Sub assembly to replace older float assembly	X	X	
12	901114RP	Float Valve Assy	New valve, arm and float.	X	X	
	103761	Adapter Bleed / Drain Fitting		X	X	
	593104	Adapter (Grey 32/20)		X	X	
	861593	Bleed/Drain nut	Previously p/n 822129	X	X	
	861586	Adaptor 3/4M x 1/2M	Previously p/n 806877	X	X	
8	539812	Extension Tube - Water		X	X	
	815978	Extension Tube Washer		X	X	
14	105345	Drain Valve Assembly		X	X	
	594910	Washer DV	Drain Valve Diaphragm / Flat Washer	X	X	
THE FIVE ITEMS BELOW ONLY USED WITH DRAIN VALVE OPTION						
11	833811	2 Prong Water Level Probe		X	X	
7	834320	Solenoid Valve	Previously p/n 833682	X	X	
6	552019	Solenoid Valve Cover		X	X	
	832760	Solenoid Valve Cable	2.0 metres	X	X	
5	850764	Flexible Hose	(for water supply to valve)	X	X	
17	107738	CPMD Control Box		X		
17	114910	CPMD Control Box	to suit MagiQtouch - obsolete - replaced by p/n 116891		X	
17	116891	CPMD Control Box (Ext Sensor)	to suit MagiQtouch		X	
	879079	Shorting Plug for CPMD	used when no drain valve is used	X	X	
	832777	Cable Assy for CPMD to control	20 metres low impedance	X		
	094694	Cable Assy 20mt (6 pins) for CPMD to control	20 metres to suit MagiQtouch		X	
	864402	Cable Assy 40mt (6 pins) for CPMD to control	40 metres to suit MagiQtouch		X	
	806242	Capacitor - 30uf for all TBA Coolers		X	X	
	110210	Wall Controller TBA	replaces 107776 as of Sept 2005 and p/n 110202 as of 2017	X		
	584331	Wall bracket	to suit CPMD Wall Control	X	X	
	116280	MagiQcool Wall Control			X	
	862873	1.5m Wall control Cable MagiQtouch	Test cable		X	
22	095714	Motor - 950w - 230V/50HZ	includes collett - Retain Cable to be ordered separatly	X	X	
24	094250	Kit TE Motor Retain Assy	should always be fitted when replacing motors	X	X	
	560182	Motor shaft collett		X	X	
16	820781	Mains Lead	Power Supply Cord	X	X	
	583020	Dropper Grommet	Duct Grommet.	X	X	
19	560199	Venturi TBA (only)		X	X	
	560267	Isolating mounts (each)	Minimum quantity order 4 (Price as each)	X	X	
23	560168	Fan Large	replaces 115603, as of October 2009	X	X	

WHEN ORDERING REPLACEMENT PARTS PLEASE QUOTE PART NUMBERS AND DESCRIPTION.

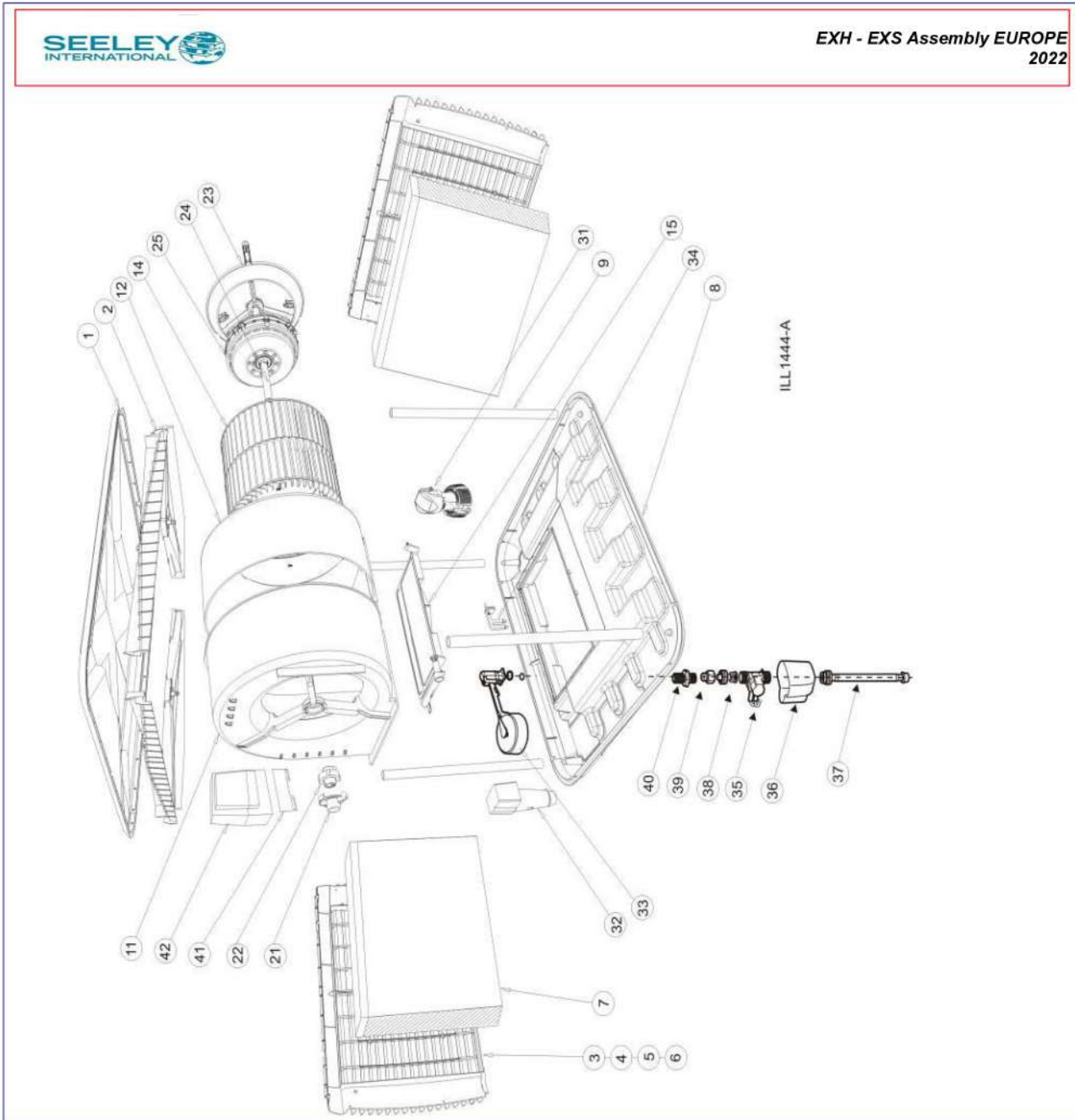


ILL2132-A

TERMS AND CONDITIONS: 1. PRICES ARE SUBJECT TO CHANGE WITHOUT NOTICE
2. PRICES SHOWN IN LISTS EXCLUDE TAX

ITEM NO.	PART NO.	PART NAME	DESCRIPTION/COMMENTS	580	Qty required
8	560595	Pad Frame Grey LARGE		X	
27	116242EMEA	Chillcel TBS Lge 526h*850*120 (4 pack)	packed as 4	X	
20	561067	Pad Pin 155 mm	Minimum quantity order 16 (Price as each) - replaces p/n 561066	X	
26	401966	Pad Pin Washer	Minimum quantity order 16 (Price as each)	X	
17	560014	Top Lid Grey	- From 2009 any ordered from Australia Distributor Cap is now moulded into the lid	X	
9	560052RP	Base Tank Grey		X	
11	560236	Corner Post Large	4 of per Cooler	X	
1	111650	Transition Assy & Weather Seal Flaps	Previously 116228 Transition Assy only with Striker Plate	X	
5	560359	Transition Plug	Seals un-used hole	X	
2	931524	Weather Seal Flaps (each)	2 per Cooler	X	
13	095806	Tornado Pump	230V/50HZ	X	
	594927	Base Filter Tornado Pump - Straight	Screw fit	X	
	594929	Base Filter Tornado Pump - Tapered	Bayonet fit	X	
15	814841	Pump Hose 19mm	Sold per metre TBA350 =810mm, TBA550 =925mm	X	
18	560205	Distributor Cap		X	
	536019	Foam Float		X	
10	90114RP	Float Valve Assy	New valve, arm and float.	X	
	800103	25mm O'ring Float Valve (min order 4)		X	
	800059	19mm O'ring Nipple (min order 4)		X	
	103761	Adapter Bleed / Drain Fitting		X	
	593104	Adapter (Grey 32/20)		X	
	861593	Bleed/Drain nut	Previously 822129	X	
THE BELOW FOUR ITEMS ARE NOT REQUIRED IF THE COOLER IS FITTED WITH DRAIN VALVE					
32	103259	Bleed Funnel Assembly		X	
	804415	Bleed Funnel O'Ring Small BS	38mm	X	
	804811	Bleed Funnel O'Ring BS 135	49mm	X	
	880617	Shorting Plug ICPMD (bleed tray option)	(Superstealth TBSI) (min order 4)	X	
	861586	Adaptor 3/4M x 1/2M	Previously p/n 806877	X	
6	539812	Extension Tube - Water		X	
	815978	Extension Tube Washer		X	
30	116389	12V Drain Valve Assy (Superstealth TBSI)		X	
	594910	Washer DV	Drain Valve Diaphragm / Flat Washer	X	
THE FIVE ITEMS BELOW ONLY USED WITH DRAIN VALVE OPTION					
19	865621	2 Prong Water Sensor Probe	(Superstealth TBSI)	X	
3	865607	12VDC Solenoid Valve 90 Deg Terminals	(Superstealth TBSI)	X	
28	552019	Solenoid Valve Cover		X	
	865614	Solenoid Valve Cable	(Superstealth TBSI)	X	
29	850764	Flexible Hose	(for water supply to valve)	X	
	879086	Flexible Hose Washer (min order 4)		X	
14	116297	Control Box ICPMD (Superstealth TBSI)	to suit MagiQtouch - obsolete - replaced by p/n 117423	X	
14	117423	Control Box ICPMD (Superstealth TBSI)	to suit MagiQtouch	X	
	880617	Shorting Plug for ICPMD	used when no drain valve is used	X	
	094694	Cable Assy 20mt (6 pins) for CPMD to control	20 metres to suit MagiQtouch	X	
	864402	Cable Assy 40mt (6 pins) for CPMD to control	40 metres to suit MagiQtouch	X	
	116280	Wall Control Breezair MAGIQ Cool	replaces 107776 as of Sept 2005	X	
	584331	Wall bracket	to suit CPMD Wall Control	X	
	862873	1.5m Wall control Cable MagiQtouch	Test cable	X	
23	116938RP	Kit Motor Assy 1PH Inverter Driver 950W	230V/50HZ, (Superstealth TBSI) - replaces p/n 116983	X	
16	820781	Mains Lead	Power Supply Cord	X	
7	583020	Dropper Grommet	Duct Grommet.	X	
16	560939	Venturi (Superstealth TBSI)		X	
31	560946	Motor Mount (Superstealth TBSI)	Minimum quantity order 4 (Price as each)	X	
16, 31	113085	Venturi & Motor Mount Assy (Superstealth TBSI)	replaces p/n 560939 and 560946	X	
21	560922	Fan (Superstealth TBSI)		X	

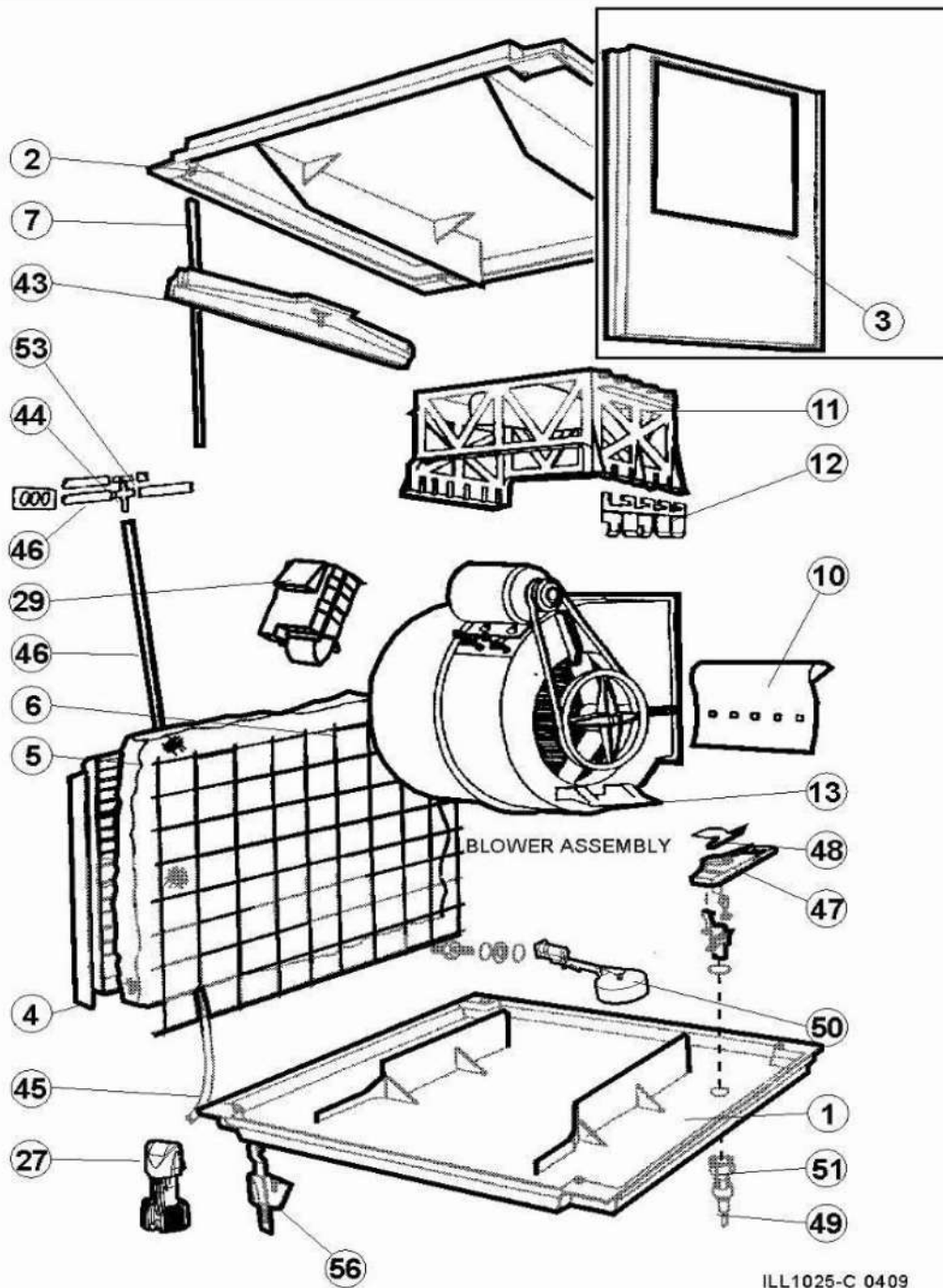
WHEN ORDERING REPLACEMENT PARTS PLEASE QUOTE PART NUMBERS AND DESCRIPTION.



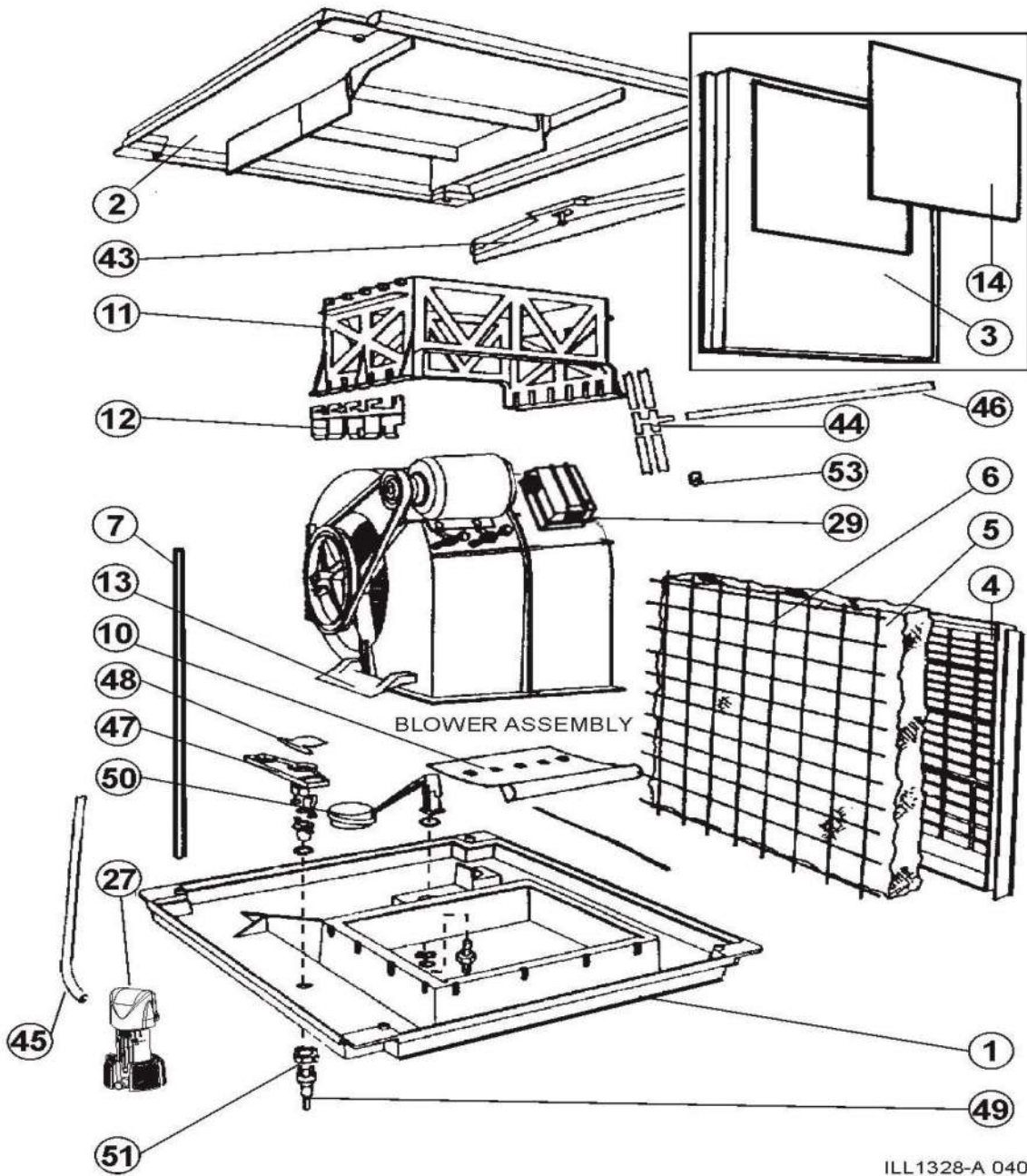
ITEM NO.	PART NO.	PART NAME	DESCRIPTION/COMMENTS	EXH 130	EXH 150	EXH 170	EXH 190	EXH 210	EXS 220	Qty required
8	505350	Tank Beige (all models)		X	X	X	X	X		
8	505374	Tank Red (all models)		X	X	X	X	X		
8	505367	Tank Grey (all models)		X	X	X	X	X	X	
8	505381	Tank Green		N/A	N/A	X	X	X		
1	505152	Lid Beige (all models)		X	X	X	X	X		
1	505176	Lid Red (all models)		X	X	X	X	X		
1	505169	Lid Grey (all models)		X	X	X	X	X	X	
1	505022	Lid Green		N/A	N/A	X	X	X		
3	505855	Pad Frame Medium Beige		X						
3	505879	Pad Frame Medium Red		X						
3	505862	Pad Frame Medium Grey		X						
3	505886	Pad Frame Medium Green		X						
3	505954	Pad Frame Large Beige			X	X	X	X		
3	505978	Pad Frame Large Red			X	X	X	X		
3	505961	Pad Frame Large Grey			X	X	X	X	X	
3	505985	Pad Frame Large Green				N/A	X	X	X	
3	856131	Breezair Pad Frame Sticker		X	X	X	X	X	X	
3	506036	Breezair Pad Frame Badge		X	X	X	X	X	X	
	541679	Corner Clip Pad Frame		X	X	X	X	X	X	

WHEN ORDERING REPLACEMENT PARTS PLEASE QUOTE PART NUMBERS AND DESCRIPTION.

ITEM NO.	PART NO.	PART NAME	DESCRIPTION/COMMENTS	EXH 130	EXH 150	EXH 170	EXH 190	EXH 210	EXS 220	Qty required
7	114620EMEA	Chilled Pad Medium 800 x 436H x 90 (4 pack)	packed as 4 - replaces p/n 110592	X						
7	114613EMEA	Chilled Pad Large 800 x 635H x 90 (4 pack)	packed as 4 - replaces p/n 110585		X	X	X			
7	114583EMEA	Chilled EXH210 set	Includes 2 x 90mm pads and 2 x 100mm pads - replaces p/n 110585 and p/n 111063					X		
7	116717EMEA	Chilled Pad Large 800 x 635H x 120 (4 pack)	packed as 4 - replaces p/n 120324 and 120331						X	
4	561067	Pad Pin 155 mm	Minimum quantity order 16 (Price as each) - replaces p/n 401959 and 561066	X	X	X	X	X	X	
5	401966	Pad Pin Washer	Minimum quantity order 16 (Price as each)	X	X	X	X	X	X	
9	507422	Corner Post Medium		X						
9	507439	Corner Post Large			X	X	X	X	X	
12	506203	Scroll LH small/medium		X						
11	506104	Scroll RH small		X						
12&23	109305	Assembly Scroll Cut-out and Spider	with the centre cut out		X	X	X	X	X	
11	506500	Scroll RH large			X	X	X	X	X	
	504506	Plate cut off med	A component of the Scroll Assy	X						
	513805	Plate cut off large	A component of the Scroll Assy		X	X	X	X	X	
	508122	Bridge Scroll To Lid			X	X	X	X	X	
AUTO WEATHER FLAP										
15	110028	Weather Seal Flap and Arm Medium		X						
15	110035	Weather Seal Flap and Arm Large			X	X	X	X	X	
	813073	Weather Seal Weight Medium		X						
	813080	Weather Seal Weight Large			X	X	X	X	X	
	507675	Latch Weather Seal		X	X	X	X	X	X	
	583020	Dropper Duct Grommet		X	X	X	X	X	X	
DRIVE SYSTEMS PARTS										
14	109916	Fan Centrifugal Small Left Half		X						
14	109923	Fan Centrifugal Small Right Half		X						
14	109312	Fan Centrifugal Large			X	X	X	X	X	
24	841397	Shaft - Motor/Fan		X	X	X	X	X	X	
22	543253	Resilient Mount	2 off	X	X	X	X	X	X	
21	502007	Shaft end dust caps	2 off	X	X	X	X	X	X	
	860503	Shaft Screws	4 per - replaces p/n 801421	X	X	X	X	X	X	
WATER GROUP PARTS										
31	095806	Tornado Pump	230v 50Hz	X	X	X	X	X	X	
	594927	Base Filter Tornado Pump - Straight	Screw fit	X	X	X	X	X	X	
32	105345	Drain Valve Assembly	24V AC	X	X	X	X	X	X	
	594910	Washer DV	Drain Valve Diaphragm/Flat Washer	X	X	X	X	X	X	
34	833811	2 Prong Water Level Probe		X	X	X	X	X	X	
2	506777	Spreader	Previously p/n 506753	X	X	X	X	X	X	
	511412	Distributor 4 way		X	X	X	X	X	X	
	814841	Plumbing 19mm Tube per metre		X	X	X	X	X	X	
	814803	Plumbing 13mm Tube per metre		X	X	X	X	X	X	
33	901114RP	Foam Float Assy		X	X	X	X	X	X	
	536019	Foam Float		X	X	X	X	X	X	
	800103	O'ring - Valve (25mm)		X	X	X	X	X	X	
	800059	O'ring - Nipple (19mm)		X	X	X	X	X	X	
40	402604	Nipple Valve male to male	1/2" BSP / 1/2" BSP	X	X	X	X	X	X	
	107608	Bleed Off Fitting	Assy includes Tray and Adapter	X		X	X	X	X	
	804415	O'ring - Funnel		X		X	X	X	X	
	103761	Bleed / Drain Fitting	Drain Adapter	X		X	X	X	X	
	593104	Adapter (Grey 32/20)		X	X	X	X	X	X	
38&39	816074	Fittings to go with Copper Connector		X	X	X	X	X	X	
37	850764	Flexible Hose	Previously 850788	X	X	X	X	X	X	
35	834320	Solenoid Valve to suit CPMD	Previously p/n 834313	X	X	X	X	X	X	
	832760	Solenoid Valve Lead to suit CPMD		X	X	X	X	X	X	
36	552026	Solenoid Valve Covers - Grey		X	X	X	X	X	X	
For a complete replacement Solenoid Hose and Cover Assy										
	112923	Solenoid Hose & Cover Assy		X	X	X	X	X	X	
MOTORS										
25	095929	Motor 500 watt	220/240v 50Hz	X						
25	095936	Motor 550 watt	220/240v 50Hz		X					
25	095943	Motor 750 watt	220/240v 50Hz			X				
25	095950	Motor 1100 watt	220/240v 50Hz				X			
25	095967	Motor 1500 watt	220/240v 50Hz					X	X	
	804118	Cable ties 292*4.8mm	Motor Cables retainment, 3 required	X	X	X	X	X	X	
CONTROL BOXES AND BRACKETS										
41	560878	Mounting Bracket for Control Box		X	X	X	X	X	X	
42	109930	Control Box - CPMD & Motor Box		X	X	X	X	X	X	
42	114705	Control Box - CPMD	to suit MagIQtouch							X
42	116815	Control Box - CPMD (EXT SENSOR)	to suit MagIQtouch - replaces p/n 114705							X
	879079	Shorting Plug for CPMD	for no drain valve	X	X	X	X	X	X	
WALL CONTROLS AND BRACKETS										
	110196	Homemaker - Harmony Wall Control	replaces 107721	X	X	X	X	X		
	584331	Wall Bracket	to suit Homemaker - Harmony	X	X	X	X	X		
	116280	MagIQcool Wall Control								X
CABLES										
	857183	Main Power Lead	Europe only	X	X	X	X	X	X	
	834245	CPMD Cable assy	20 metres low impedance (with ferrite)	X	X	X	X	X		
	094694	Cable Assy 20mt (6 pins) for CPMD to control	20 metres to suit MagIQtouch							X
	864402	Cable Assy 40mt (6 pins) for CPMD to control	40 metres to suit MagIQtouch							X
	831534	1 mt Wall Control Cable	Test cable	X	X	X	X	X		
	862873	1.5m Wall control Cable MagIQtouch	Test cable							X
WHEN ORDERING REPLACEMENT PARTS PLEASE QUOTE PART NUMBERS AND DESCRIPTION.										



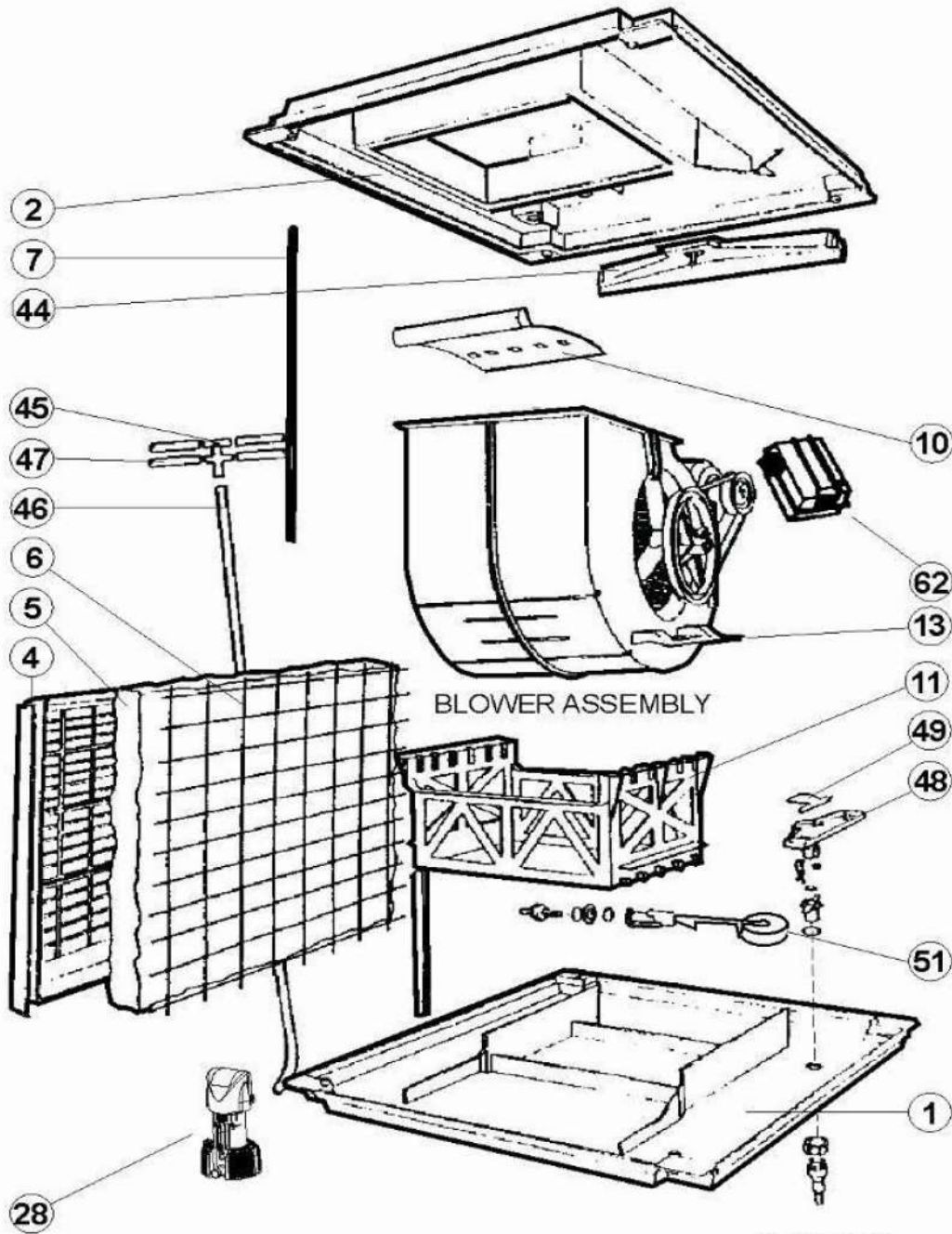
ITEM NO.	PART NO.	PART NAME	DESCRIPTION/COMMENTS	EA 70	EA 90	EA 120	EAQ 120	Qty required
1	505008	Tank Small SD	-obsolete, no replacement part	X				
	505107	Tank Medium / Large SD/TD	- Oct 2010 cooler colour change to 'Grey'		X	X	X	
1	505138	Tank Medium / Large SD/TD (Grey)	- Oct 2010 cooler colour change to 'Grey'		X	X	X	
2	505008	Lid Small SD	-obsolete, no replacement part	X				
	505107	Lid Medium / Large SD/DD	- Oct 2010 cooler colour change to 'Grey'		X	X	X	
2	505138	Lid Medium / Large (Grey)	- Oct 2010 cooler colour change to 'Grey'		X	X	X	
3	505404	Panel Front Small	-obsolete, no replacement part	X				
	505503	Panel Front Medium SD	- Oct 2010 cooler colour change to 'Grey'		X			
	505602	Panel Front Large SD	- Oct 2010 cooler colour change to 'Grey'			X	X	
3	505534	Panel Front Medium SD (Grey)	- Oct 2010 cooler colour change to 'Grey'		X			
	505657	Panel Front Large SD (Grey)	- Oct 2010 cooler colour change to 'Grey'			X	X	
4	505701	Pad Frame Small 600 x 600	EA70 cooler obsolete	X				
	505800	Pad Frame Medium 800 x 600	- Oct 2010 cooler colour change to 'Grey'		X			
	505909	Pad Frame Large 900 x 800	- Oct 2010 cooler colour change to 'Grey'			X	X	
4	505831	Pad Frame Medium 800 x 600 (Grey)	- Oct 2010 cooler colour change to 'Grey'		X			
	505930	Pad Frame Large 900 x 800 (Grey)	- Oct 2010 cooler colour change to 'Grey'			X	X	
5	100159	Filter Pad Small	Cooling Pads, sold as each	X				
	100203	Filter Pad Medium	Cooling Pads, sold as each		X			
	100258	Filter Pad Large	Cooling Pads, sold as each			X	X	
6	100005	Wire Assembly Small		X				
	100050	Wire Assembly Medium			X			
	100104	Wire Assembly Large				X	X	
7	507002	Corner Post Small/Medium		X	X			
	507101	Corner Post Large				X	X	
10	503202	Plate Cut Off Small	-obsolete, no replacement part	X				
	504506	Plate Cut Off Medium			X			
	513805	Plate Cut Off Large				X	X	
11	508108	Bridge Scroll				X	X	
12	508702	Connector Lid Small	-obsolete, no replacement part	X				
13	507200	Antivortex Baffle EA Models	2 per cooler	X	X	X	X	
27	095806	Tornado Pump 240 Volts 50 HZ		X	X	X	X	
Controls for Variable Speed Coolers								
29	106953	Control Box Lid	Contains Electronics/discontinued on 2018, replaced by p/n 111353	X	X	X		
	103105	Control box Base	with terminals, wiring, switch/discontinued on 2018	X	X	X		
	111353	CPMD conversion Kit EA-EAQ	replaces p/n 106953	X	X	X	X	
	11775RP	CPMD Control box EAQ						X
	560298	Control Box Mounting Brackets						X
	098302	Wall Control EA	with flip down lid/discontinued on 2018	X	X	X		
	098319	Wall Control EA	replaces p/n 098302	X	X	X		
	116792	Wall Control MagIQ						X
	835655	Cable Assy 20M		X	X	X		
	833880	Cable Assy 20M	to suit MagIQ control					X
Controls for 2 Speed Coolers								
29	101026	TermBox & Switch Single Pole	Motor Control 2 speed	X	X	X		
	106373	Wall Control 2-Speed		X	X	X		
	583709	Control Box Knob	Red plastic switch	X	X	X		
43	506630	Spreader Small 13mm outlet	Previously p/n 506609	X				
	506777	Spreader Medium/Large 13mm outlet	Previously p/n 506753		X	X	X	
44	511405	Distributor 4 Way 13mm	-obsolete, no replacement part	X				
	511412	Distributor 4 Way 19mm			X	X	X	
45	814841	Plumbing 19mm Tube per Metre	ALL MODELS-CUT TO SUIT	X	X	X	X	
	814803	Plumbing 13mm Tube per Metre	ALL MODELS-CUT TO SUIT	X	X	X	X	
	823577	Plumbing 9.5mm tube per Metre	ALL MODELS - CUT TO SUIT (Previously p/n 814858)	X	X	X	X	
	098579	Auto Drain Kit (Europe)		X	X	X	X	
	594910	Washer DV	Drain Valve Diaphragm/Flat Washer	X	X	X	X	
	833811	2 Prong Water Level Probe		X	X	X	X	
	834320	Solenoid Valve	Previously p/n 833682	X	X	X	X	
	832760	Solenoid Valve Cable		X	X	X	X	
	850764	Flexible Hose	(for water supply to valve)	X	X	X	X	
47	902104	Bleed-Off Assembly complete		X	X	X	X	
48	835310	Shield Bleed Stop		X	X	X	X	
49	103761	Adapter Bleed / Drain Fitting	Assembly	X	X	X	X	
	593104	Adapter (Grey 32/20)		X	X	X	X	
51	861593	Bleed/Drain nut	Previously p/n 822129	X	X	X	X	
50	905143RP	Float Valve Assy - Horizontal	New valve, arm and float.	X	X	X	X	
56	915906	Anchor & Strap Tie Dwn-Set SD		WV	X	X	X	



ILL1328-A 0403

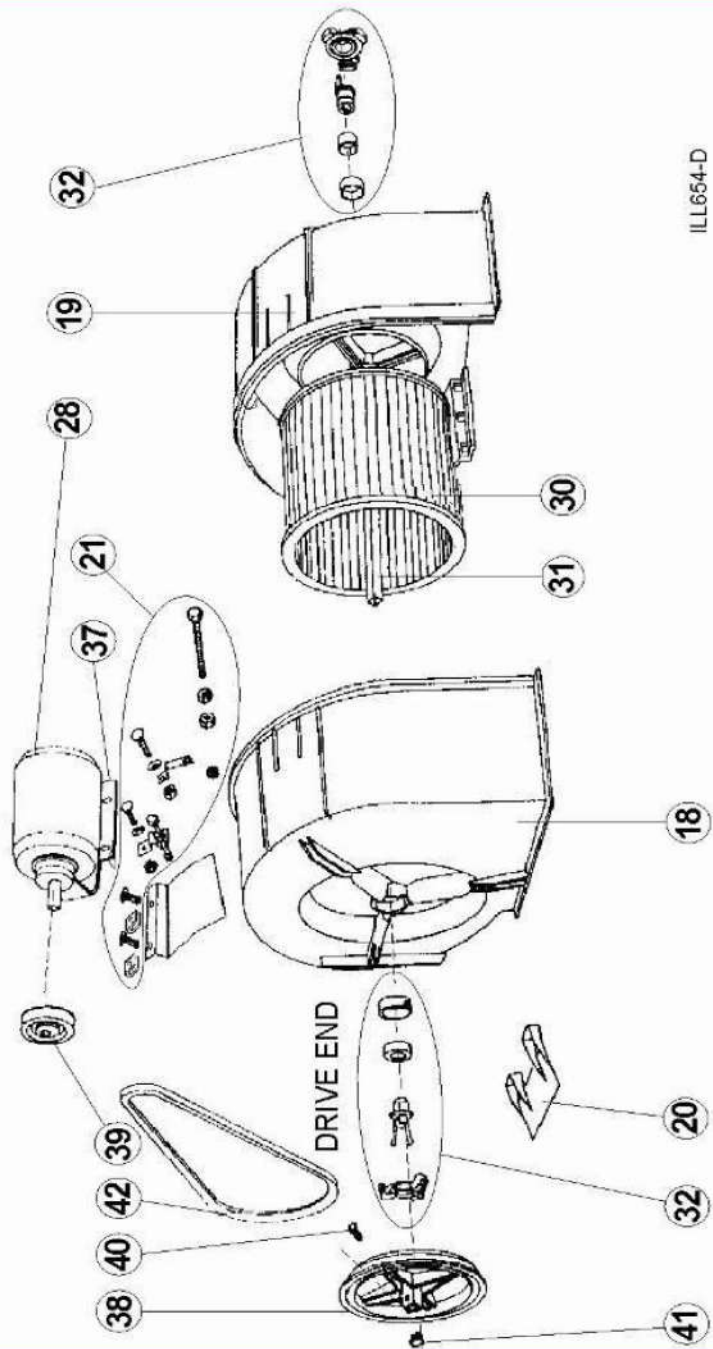
ITEM NO.	PART NO.	PART NAME	DESCRIPTION/COMMENTS	EA 70	EA 90	EA 120	EA 145	EA 150	Qty required
1	508801	Tank Small	-obsolete, no replacement part	X					
	505206	Tank Medium	- Oct 2010 cooler colour change to 'Grey'		X				
	505305	Tank Large	- Oct 2010 cooler colour change to 'Grey'			X	X	X	
1	505237	Tank Medium (Grey)	- Oct 2010 cooler colour change to 'Grey'		X				
	505336	Tank Large (Grey)	- Oct 2010 cooler colour change to 'Grey'			X	X	X	
2	542409	Lid Small	-obsolete, no replacement part	X					
	505107	Lid Medium / Large	- Oct 2010 cooler colour change to 'Grey'		X	X	X	X	
2	505138	Lid Medium / Large (Grey)	- Oct 2010 cooler colour change to 'Grey'		X	X	X	X	
3	505404	Panel Front Small Range	-obsolete, no replacement part	X					
4	505701	Pad Frame Small 600 x 600	- Oct 2010 cooler colour change to 'Grey'	X					
	505800	Pad Frame Medium 800 x 600	- Oct 2010 cooler colour change to 'Grey'		X				
	505909	Pad Frame Large 900 x 800	- Oct 2010 cooler colour change to 'Grey'			X	X	X	
4	505831	Pad Frame Medium 800 x 600 (Grey)	- Oct 2010 cooler colour change to 'Grey'		X				
	505930	Pad Frame Large 900 x 800 (Grey)	- Oct 2010 cooler colour change to 'Grey'			X	X	X	
5	100159	Filter Pad Small	Cooling Pads, sold as each	X					
	100203	Filter Pad Medium	Cooling Pads, sold as each		X				
	100258	Filter Pad Large	Cooling Pads, sold as each			X	X	X	
6	100005	Wire Assembly Small		X					
	100050	Wire Assembly Medium			X				
	100104	Wire Assembly Large				X	X	X	
7	507002	Corner Post Small/Medium		X	X				
	507101	Corner Post Large				X	X	X	
10	503202	Plate Cut Off Small	-obsolete, no replacement part	SD,WV					
	504506	Plate Cut Off Medium			X				
	513805	Plate Cut Off Large				X	X	X	
	104829	Weather Damper Kit Medium			X				
	104836	Weather Damper Kit Large				X	X	X	
11	508108	Bridge Scroll				X	X	X	
12	508702	Connector Lid Small	-obsolete, no replacement part	X					
13	507200	Antivortex Baffle EA Models	2 per cooler	X	X	X	X	X	
14	541402	Panel cover	-obsolete, no replacement part. To fill hole on side panel	X					
27	095806	Tornado Pump 240 Volts 50 HZ		X	X	X	X	X	
Controls for Variable Speed Coolers									
29	106953	Control Box Lid	Contains Electronics/discontinued on 2018, replaced by p/n 111353	X	X	X	X	X	
	103105	Control box Base	with terminals, wiring, switch/discontinued on 2018	X	X	X	X	X	
	111353	CPMD conversion Kit EA-EAQ	replaces p/n 106953	X	X	X	X	X	
	098302	Wall Control Variable	with flip down lid/discontinued on 2018	X	X	X	X	X	
	098319	Wall Control EA	replaces p/n 098302	X	X	X	X	X	
	835655	Cable Assy 20M		X	X	X	X	X	
Controls for 2 Speed Coolers									
29	101026	TermBox & Switch Single Pole		X	X	X	X	X	
	106373	Wall Control 2-Speed		X	X	X	X	X	
53	583709	Control Box Knob	Red plastic switch	X	X	X	X	X	
43	506630	Spreader Small 13mm outlet	Previously p/n 506609	X					
	506777	Spreader Medium/Large 13mm outlet	Previously p/n 506753		X	X	X	X	
44	511405	Distributor 4 Way 13mm	-obsolete	X					
	511412	Distributor 4 Way 19mm			X	X	X	X	
46	814841	Plumbing 19mm Tube per Metre	ALL MODELS - CUT TO SUIT	X	X	X	X	X	
	814803	Plumbing 13mm Tube per Metre	ALL MODELS - CUT TO SUIT	X	X	X	X	X	
	823577	Plumbing 9.5mm tube per Metre	ALL MODELS - CUT TO SUIT (Previously p/n 814858)	X	X	X	X	X	
	098579	Auto Drain Kit (Europe)		X	X	X	X	X	
	594910	Washer DV	Drain Valve Diaphragm/Flat Washer	X	X	X	X	X	
	833811	2 Prong Water Level Probe		X	X	X	X	X	
	834320	Solenoid Valve	Previously p/n 833682	X	X	X	X	X	
	832760	Solenoid Valve Cable		X	X	X	X	X	
	850764	Flexible Hose	For water supply to valve	X	X	X	X	X	
47	902104	Bleed-Off Assembly complete		X	X	X	X	X	
48	835310	Shield Bleed Stop		X	X	X	X	X	
49	103761	Adapter Bleed / Drain Fitting	Assembly	X	X	X	X	X	
	593104	Adapter (Grey 32/20)		X	X	X	X	X	
51	861593	Bleed/Drain nut	Previously p/n 822129	X	X	X	X	X	
50	901144RP	Float Valve Assy	New valve, arm and float.	X	X	X	X	X	

WHEN ORDERING REPLACEMENT PARTS PLEASE QUOTE PART NUMBERS AND DESCRIPTION.



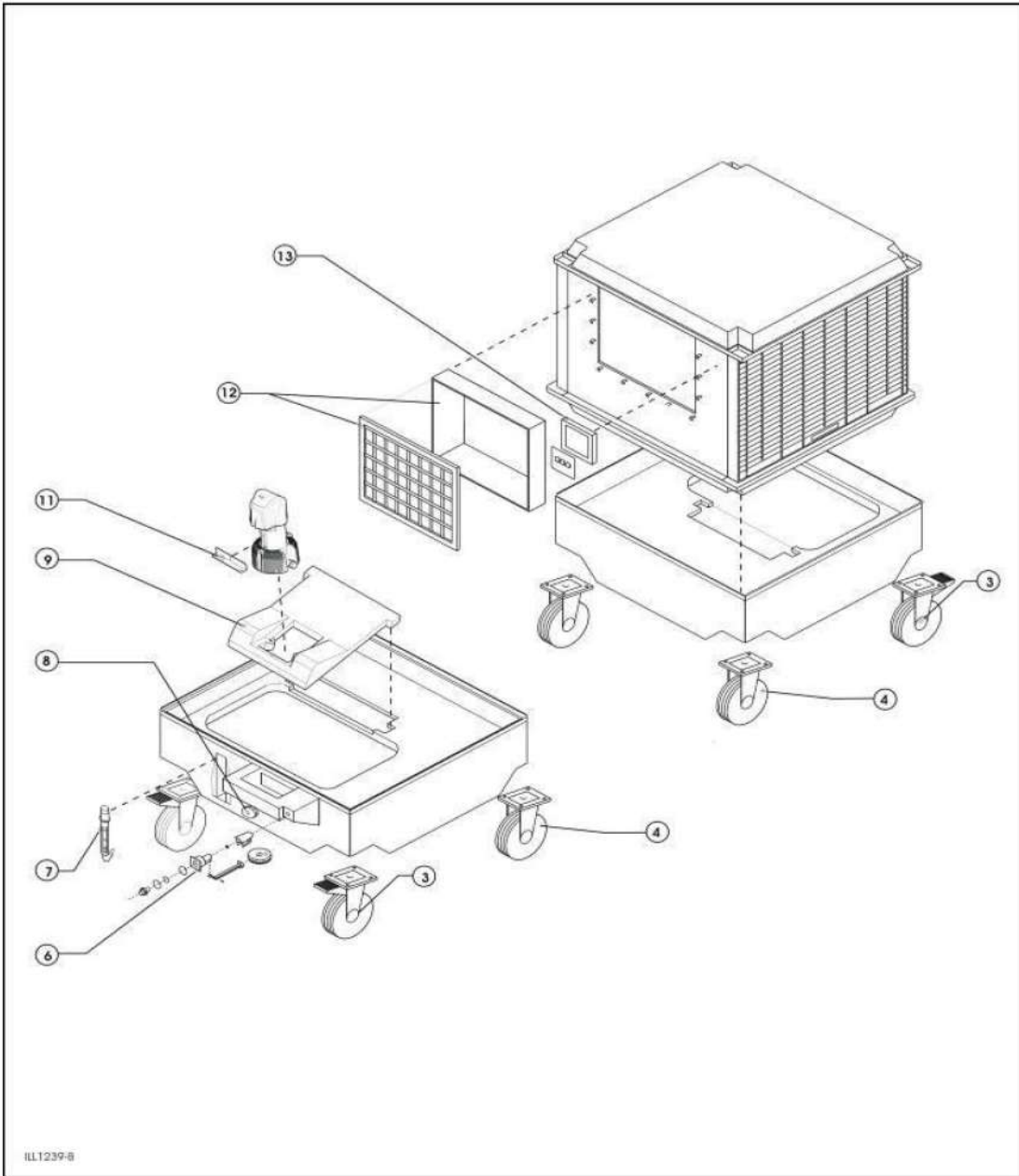
ITEM NO.	PART NO.	PART NAME	DESCRIPTION/COMMENTS	EA 120	EA 140	Qty required
1	505107	Tank Large (Beige)	- Oct 2010 cooler colour change to 'Grey'	X	X	
1	505138	Tank Large (Grey)	- Oct 2010 cooler colour change to 'Grey'	X	X	
2	505305	Lid Medium / Large (Beige)	- Oct 2010 cooler colour change to 'Grey'	X	X	
2	505336	Lid Medium / Large (Grey)	- Oct 2010 cooler colour change to 'Grey'	X	X	
4	505909	Pad Frame Large 900 x 800 (Beige)	- Oct 2010 cooler colour change to 'Grey'	X	X	
4	505930	Pad Frame Large 900 x 800 (Grey)	- Oct 2010 cooler colour change to 'Grey'	X	X	
5	100258	Filter Pad Large	Cooling Pads, sold as each	X	X	
6	100104	Wire Assembly Large		X	X	
7	507101	Corner Post Large		X	X	
10	513805	Plate Cut Off Large		X	X	
11	508108	Bridge Scroll		X	X	
13	507200	Antivortex Baffle EA Models	2 per cooler	X	X	
28	095806	Tornado Pump 240 Volts 50 HZ		X	X	
Controls for Variable Speed Coolers						
62	106953	Control Box Lid	Contains Electronics/discontinued on 2018, replaced by p/n 111353	X		
	103105	Control box Base	with terminals, wiring, switch/discontinued on 2018	X		
	111353	CPMD conversion Kit EA-EAQ	replaces p/n 106953			
	098302	Wall Control Variable	with flip down lid/discontinued on 2018	X		
	098319	Wall Control EA	replaces p/n 098302			
	835655	Cable Assy 20M		X		
Controls for 2 Speed Coolers						
62	101026	TermBox & Switch Single Pole			X	
	106373	Wall Control 2-Speed			X	
	583709	Control Box Knob	Red plastic switch	X	X	
44	506777	Spreader Med/large 13MM	Previously p/n 506753	X	X	
	107509	Special Water Spreader	Top Discharge Only	X	X	
45	511412	Distributor 4 Way 19mm		X	X	
46	814841	Plumbing 19mm Tube per Metre	ALL MODELS - CUT TO SUIT	X	X	
	814803	Plumbing 13mm Tube per Metre	ALL MODELS - CUT TO SUIT	X	X	
	823577	Plumbing 9.5mm tube per Metre	ALL MODELS - CUT TO SUIT (Previously p/n 814858)	X	X	
	098579	Auto Drain Kit (Europe)		X	X	
	594910	Washer DV	Drain Valve Diaphragm/Flat Washer	X	X	
	833811	2 Prong Water Level Probe		X	X	
	834320	Solenoid Valve	Previously p/n 833682	X	X	
	832760	Solenoid Valve Cable		X	X	
	850764	Flexible Hose	(for water supply to valve)	X	X	
48	902104	Bleed-Off Assembly complete		X	X	
49	835310	Shield Bleed Stop		X	X	
	103761	Adapter Bleed / Drain Fitting	Assembly	X	X	
	593104	Adapter (Grey 32/20)		X	X	
	861593	Bleed/Drain nut	Previously p/n 822129	X	X	
51	905143RP	Float Valve Assy	New valve, arm and float	X	X	

WHEN ORDERING REPLACEMENT PARTS PLEASE QUOTE PART NUMBERS AND DESCRIPTION.



ILL654-D

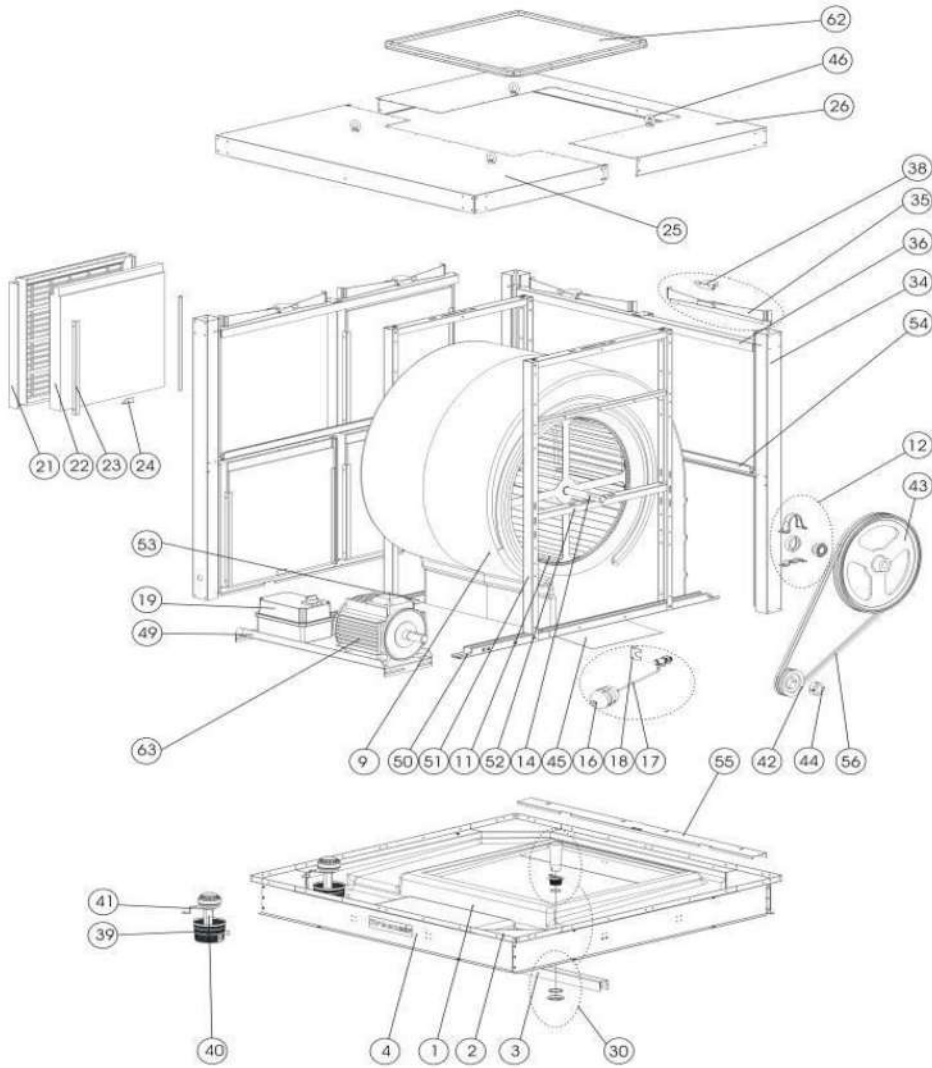
ITEM NO.	PART NO.	PART NAME	DESCRIPTION/COMMENTS	EA 70	EA 90	EA 120	EA 140	EA 145	EA 150	Qty required
18	506401	SCROLL_LH Large	(motor side)			X	X	X	X	
18	506203	SCROLL_LH small/med	(motor side)	X	X					
19	506500	SCROLL_RH Large				X	X	X	X	
	506302	SCROLL_RH small/med			X					
19	506104	SCROLL_RH small	-obsolete, no replacement part	X						
20	507200	Antivortex Baffle	2 per cooler	X	X	X	X	X	X	
21	100135	Motor Fastener Set		X	X	X	X	X	X	
	507873	Motor Plate Down		DD/TD	DD/TD	DD/TD	DD/TD	DD/TD	DD/TD	
	507866	Motor Plate Side		SD	SD	SD				
28	095301	Motor 380w Variable Speed	P2 capacitor 240v 50Hz	X						
28	095318	Motor 560w Variable Speed	P2 capacitor 240v 50Hz		X					
28	095325	Motor 750w Variable Speed	P2 capacitor 240v 50Hz			X				
28	095486	Motor 950w Variable Speed	P2 capacitor 240v 50Hz					X		
28	095349	Motor 1500w Variable Speed	P2 capacitor 240v 50Hz						X	
28	095028	Motor 380w 2 Speed	P2 capacitor 240v 50Hz	X						
28	095042	Motor 560w 2 Speed	P2 capacitor 240v 50Hz		X					
28	095066	Motor 750w 2 Speed	P2 capacitor 240v 50Hz			X				
28	095592	Motor 950w 2 Speed	P2 capacitor 240v 50Hz					X		
28	095080	Motor 1100w 2 Speed	P2 capacitor 240v 50Hz				X			
28	095097	Motor 1500w 2 Speed	P2 capacitor 240v 50Hz						X	
	806341	15uf Capacitor P2	- for the motor	X						
	846521	20uf Capacitor P2	- for the motor		X	X		X		
	806242	30uf Capacitor P2	- for the motor				X			
	846514	40uf Capacitor P2	- for the motor						X	
30	506814	Fan Centrifugal Large	Previously 506807 - replaced by p/n 113272			X	X	X	X	
30	113272	Fan Centrifugal Large	including shaft			X	X	X	X	
30	501307	Fan Centrifugal Medium	replaced by p/n 113289		X					
30	113289	Fan Centrifugal Medium	including shaft		X					
30	500607	Fan Centrifugal Small	-obsolete, no replacement part	X						
31	504605	Fan Shaft Medium/Large			X	X	X	X	X	
31	502106	Fan Shaft Small		X						
32	109459	Bearing Kit		X	X	X	X	X	X	
NB. ALWAYS CHECK SIZE OF BELTS AND PULLEY DIAMETERS BEFORE PLACING ORDERS										
38	501703	Pulley Fan 225 diameter				X	140t	X	X	
38	501710	Pulley Fan 205 diameter		X	X	X				
39	108063	Pulley Motor 110 diameter Large		X	X		X	X	X	
39	108070	Pulley Motor 90 diameter Small				X				
40	800004	Canoe Clip		X	X	X	X	X	X	
41	819204	Plug Tube End		X	X	X	X	X	X	
	577302	Lock Ring Pulley Large	obsolete - suits old type motor pulleys	X	X		X	X	X	
	592206	Lock Ring Pulley Small	obsolete - suits old type motor pulleys			X				
FOR EA MODELS BELOW: t = TOP DISCHARGE, d = DOWN DISCHARGE, s = SIDE DISCHARGE										
42	832159	V Belt (A47)				t				
42	832890	V Belt (A50)		70s,d	90s,d					
42	832883	V Belt (A54)			s,d					
42	818054	V Belt (A56)						X	150d	
BELOW RELATES TO COOLERS BUILT BEFORE April 98 USING 225 FAN PULLEYS... AND TO COOLERS BUILT AFTER July 04										
42	828756	V Belt (A49)					140t			
42	826509	V Belt (A55)				s,d				
WHEN ORDERING REPLACEMENT PARTS PLEASE QUOTE PART NUMBERS AND DESCRIPTION.										



ILL1239-8

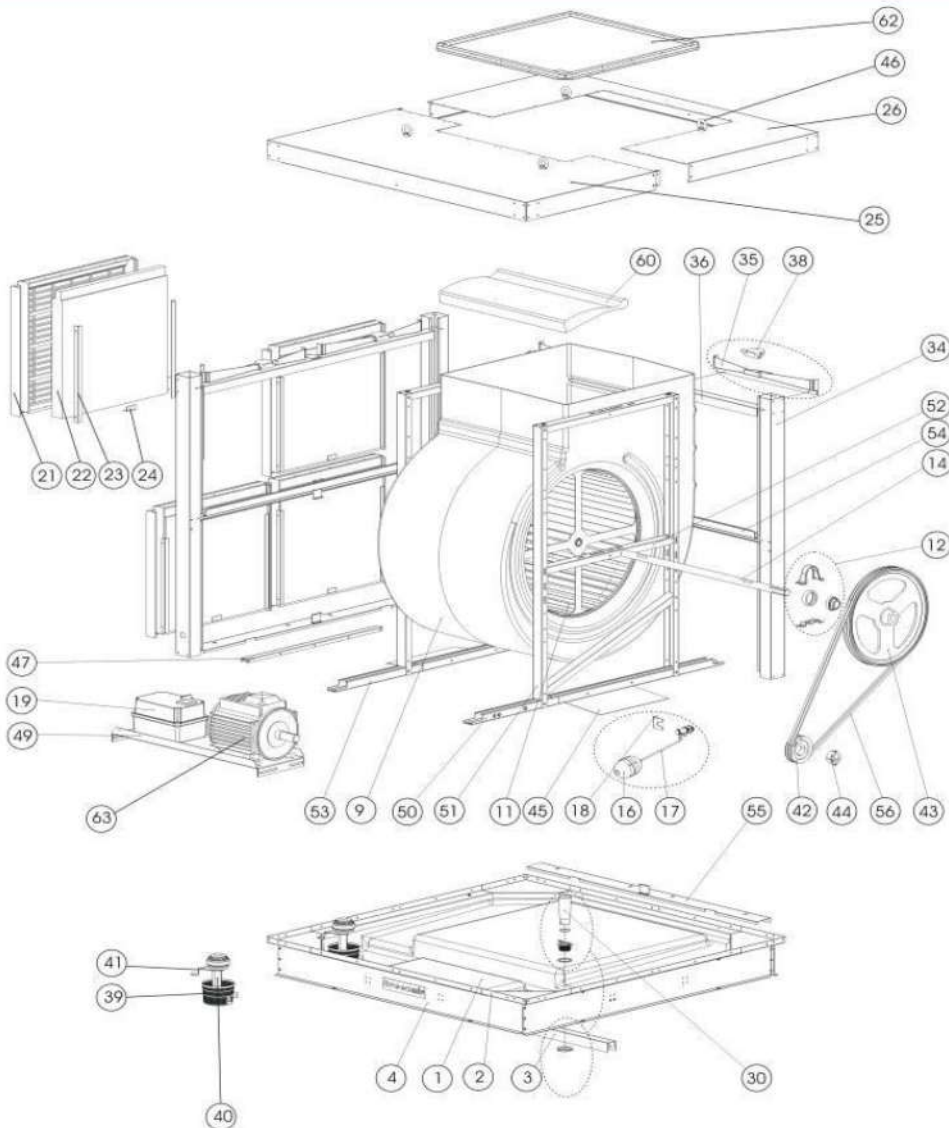
**TERMS AND CONDITIONS: 1. PRICES ARE SUBJECT TO CHANGE WITHOUT NOTICE
2. PRICES SHOWN IN LISTS EXCLUDE TAX**

ITEM NO.	PART NUMBER	PART NAME	DESCRIPTION/COMMENTS	EA 120	EA 140	Qty required
SEE "EA SIDE EUROPE & RSA LIST" FOR DETAILS ON CABINET, CONTROLS, WATER GROUP, ELECTRONICS						
SEE "SCROLL & FAN Assembly EUROPE & RSA" FOR DETAILS ON SCROLL/FAN and MOTOR COMPONENTS						
	117706	Kit Mobile Tank	Colour - Beige, Pre Oct 2010	X	X	
	117751	Kit Mobile Tank	Colour - Grey, Oct 2010 onwards	X	X	
	075594	Kit Mobile Tank	Grey - replaces p/n 117751	X	X	
2	505251	Mobile Tank	Tank only	X	X	
2	638607	Mobile Tank Grey	Tank only	X	X	
3	855042	Castor Wheel Assy 125D Locking	For mobile tank	X	X	
4	855035	Castor Wheel Assy 125D Fixed	For mobile tank	X	X	
6	905143RP	Float Valve Assy - Horizontal	New valve, arm and float	X	X	
7	118802	Sight Glass Assembly Mounting		X	X	
8	630878	Drain Plug Assembly	Previously p/n 118000	X	X	
9	638591	Pump Float	The Float the Pump is attached to - previously p/n 536507	X	X	
12	118406	Grille Kit	Colour - Beige	X	X	
12	638737	Grille Kit	Colour - Grey, Oct 2010 onwards	X	X	
11	628950	Pump Bracket for Mobile Max Coolers		X	X	
	837680	Drilling Template	For the Tank	X	X	
	113135	#Chillcel 797*885*60mm	Packed as 3, Can be sold as each	X	X	
	076324	Kit Brackets Chillcel EA Mobile	1 required per pad	X	X	
WHEN ORDERING REPLACEMENT PARTS PLEASE QUOTE PART NUMBERS AND DESCRIPTION.						



Cooler RPX900DC

TERMS AND CONDITIONS: 1. PRICES ARE SUBJECT TO CHANGE WITHOUT NOTICE
2. PRICES SHOWN IN LISTS EXCLUDE TAX



**TERMS AND CONDITIONS: 1. PRICES ARE SUBJECT TO CHANGE WITHOUT NOTICE
2. PRICES SHOWN IN LISTS EXCLUDE TAX**

ITEM NO.	PART NUMBER	PART NAME	DESCRIPTION/COMMENTS	RPX 900DC	RPX 900TC	RPX 900SC	Qty required
1 **	100121	Reservoir / Tank (no hole cut)	Polyethylene	X	X	X	
2 **	626444	Base Frame Assy RPX	-Fully welded Assembly; Powdercoated Aluminium	X	X	X	
3 **	623993	Channel - Reservoir Support		X	X	X	
4 **	627878	Base Frame Support - 1 side	- 4 per Cooler; Powdercoated Aluminium	X	X	X	
	FAS032	Rivet - 4.8mm x 13.9mm Head LN	- 3 per side; 12 per cooler	X	X	X	
21, 22, 23, 24	112169	Pad Frame Assy Grey - includes Chillcel Pad	- 4 pack	X	X	X	
21 **	115627	Pad Frame Assy Grey - does not include Chillcel Pad		X	X	X	
22 **	626727EMEA	Chillcel Pad 597*590*60mm	- Pad Only	X	X	X	
34 **	627922	Pillar Corner	82 x 82 Coated Aluminium	X	X	X	
25 & 26 **	631462	Cabinet Top Assy - with cut-out	Colour - Grey	X	X	X	
62 **	630342	Blanking Plate		X		X	
**	626611	Panel, Discharge Side, LH				X	
**	626628	Panel, Discharge Side, RH				X	
9 **	111401	Scroll - Rotomould	Polyethylene	X	X	X	
11	087702	Blower Wheel Assy 1 1/4" bore	- Packed in wooden crate	X	X	X	
14	100240	Shaft 1 1/4" * 960mm Stainless Steel		X	X	X	
12	067010	Bearing Kit 1 1/4" Assy		X	X	X	
50 & 53**	623160	Base Channel RH/LH	Galvabond Powdercoated	X	X	X	
51 **	626710	Channel - vertical	Galvabond Powdercoated	X	X	X	
52 **	623139	Channel Bearing & Top	Galvabond Powdercoated	X	X	X	
53 **	627168	Base Channel LH	Obsolete - replaced by p/n 623160	X	X	X	
60 **	100150	Cut-off Plate	- Fixed into blower fan discharge	X	X	X	
ITEMS MARKED WITH ** DO NOT INCLUDE COST OF PACKAGING							
19 **	100155	Isolation Starter 3 Phase	Control Box	X	X	X	
	087788	Kit Wall Control 2 Speed	- Includes Mounting Block for wall control	X	X	X	
16, 17, 18	087733	Kit Float Valve Assy	- Includes Float and bracket	X	X	X	
30	087771	Kit Overflow Assy 1 1/2" BSP		X	X	X	
35 & 38	087795	Kit Water Spreader + Cap		X	X	X	
	814841	Plumbing 19mm Tube per Metre	- CUT TO SUIT	X	X	X	
	814803	Plumbing 13mm Tube per Metre	- CUT TO SUIT	X	X	X	
36 **	626482	Top Rail - Water Spreader	4 required per cooler	X	X	X	
39, 40, 41	076317	Kit EBM Pump + Acc	Includes Pump Basket & Bracket	X	X	X	
	999293	Pump Filter Basket		X	X	X	
	999294	50L Pump (Long Lead)		X	X	X	
NB. ALWAYS CHECK SIZE OF BELTS AND PULLEY DIAMETERS BEFORE PLACING ORDERS							
42 **	626987	Pulley Motor	125 x 2A Taper	X	X	X	
43 **	111500	Pulley Fan	450 (18") x 2A x 31.75 (1 1/4")	X	X	X	
44	822044	Bush TL 1610 x 38 #2		X	X	X	
45	627229	Panel Anti-Vortex RPX		X	X	X	
46	098906	Kit Lifting Lug	- Includes 4 Lugs, screws, washers	X	X	X	
49 **	623184	Motor Platform	Galvabond Powdercoated	X	X	X	
54 **	626772	Centre Rail	Coated Aluminium	X	X	X	
55 **	626789	Bottom Rail	Coated Aluminium	X	X	X	
56	087672	Kit Belt V A91	- Sold as 2 per Kit	X	X		
56	631554	Belt V A93	RPX900 Side Discharge only - 2 per cooler			X	
63	PM217	Motor Packed 5.5KW 3 Phase (380V / 480V; 50/60HZ)	-Customer to specify voltage and frequency requirement for rating plate - replaces p/n 111221	X	X	X	
	077444	Kit Auto Drain	incl. salinity sensor	X	X	X	
WHEN ORDERING REPLACEMENT PARTS PLEASE QUOTE PART NUMBERS AND DESCRIPTION.							