

USER'S MANUAL

VUT 200 V EC
VUE 200 V EC
VUT 200 VB EC
VUE 200 VB EC
VUT 250 V EC
VUE 250 V EC
VUT 250 VB EC
VUE 250 VB EC



Heat recovery air handling unit

CONTENTS

Safety requirements.....	2
Purpose.....	4
Delivery set.....	4
Designation key.....	4
Technical data.....	5
Design and operating principle	6
Mounting and set-up.....	9
Technical maintenance.....	16
Troubleshooting.....	17
Storage and transportation regulations.....	18
Manufacturer's warranty	19
Certificate of acceptance.....	23
Seller information	23
Installation certificate.....	23
Warranty card.....	23

This user's manual is a main operating document intended for technical, maintenance, and operating staff.

The manual contains information about purpose, technical details, operating principle, design, and installation of the VUT/VUE 200/250 V(B) EC unit and all its modifications.

Technical and maintenance staff must have theoretical and practical training in the field of ventilation systems and should be able to work in accordance with workplace safety rules as well as construction norms and standards applicable in the territory of the country.

The information in this user's manual is correct at the time of the document's preparation.

The Company reserves the right to modify the technical characteristics, design, or configuration of its products at any time in order to incorporate the latest technological developments.

No part of this publication may be reproduced, stored in a retrieval system, or transmitted, in any form or by any means in any information search system or translated into any language in any form without the prior written permission of the Company.

SAFETY REQUIREMENTS

- Please read the user's manual carefully prior to installing and operating the unit.
- All user's manual requirements as well as the provisions of all the applicable local and national construction, electrical, and technical norms and standards must be observed when installing and operating the unit.
- The warnings contained in the user's manual must be considered most seriously since they contain vital personal safety information.
- Failure to follow the rules and safety precautions noted in this user's manual may result in an injury or unit damage.
- After a careful reading of the manual, keep it for the entire service life of the unit.
- While transferring the unit control, the user's manual must be turned over to the receiving operator.

UNIT INSTALLATION AND OPERATION SAFETY PRECAUTIONS



- Disconnect the unit from power mains prior to any installation operations.



- Unpack the unit with care.



- The unit must be grounded!



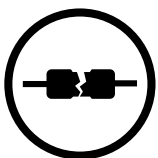
- While installing the unit, follow the safety regulations specific to the use of electric tools.



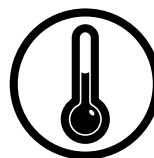
- Do not change the power cable length at your own discretion.
- Do not bend the power cable.
- Avoid damaging the power cable.
- Do not put any foreign objects on the power cable.



- Do not lay the power cable of the unit in close proximity to heating equipment.



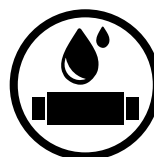
- Do not use damaged equipment or cables when connecting the unit to power mains.



- Do not operate the unit outside the temperature range stated in the user's manual.
- Do not operate the unit in aggressive or explosive environments.



- Do not touch the unit controls with wet hands.
- Do not carry out the installation and maintenance operations with wet hands.



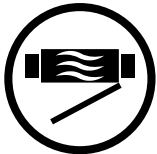
- Do not wash the unit with water.
- Protect the electric parts of the unit against ingress of water.



- Do not allow children to operate the unit.



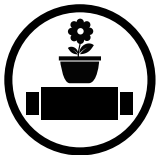
- Do not store any explosive or highly flammable substances in close proximity to the unit.



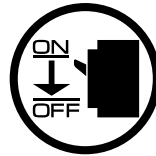
- Do not open the unit during operation.



- Do not block the air duct when the unit is switched on.



- Do not sit on the unit and avoid placing foreign objects on it.



- Disconnect the unit from power mains prior to any technical maintenance.



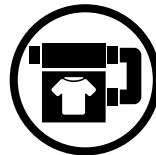
- When the unit generates unusual sounds, odour, or emits smoke, disconnect it from power supply and contact the Seller.



- Do not direct the air flow produced by the unit towards open flame or ignition sources.



- In case of continuous operation of the unit, periodically check the security of mounting.



- Use the unit only for its intended purpose.



**THE PRODUCT MUST BE DISPOSED SEPARATELY AT THE END OF ITS SERVICE LIFE.
DO NOT DISPOSE THE UNIT AS UNSORTED DOMESTIC WASTE.**

PURPOSE

The unit is designed to ensure continuous mechanical air exchange in houses, offices, hotels, cafes, conference halls, and other utility and public spaces as well as to recover the heat energy contained in the air extracted from the premises to warm up the filtered stream of intake air.

The unit is not intended for organizing ventilation in swimming pools, saunas, greenhouses, summer gardens, and other spaces with high humidity.

Due to the ability to save heating energy by means of energy recovery, the unit is an important element of energy-efficient premises.

The unit is a component part and is not designed for stand-alone operation.

It is rated for continuous operation.

Transported air must not contain any flammable or explosive mixtures, evaporation of chemicals, sticky substances, fibrous materials, coarse dust, soot and oil particles or environments favourable for the formation of hazardous substances (toxic substances, dust, pathogenic germs).



THE UNIT SHOULD NOT BE OPERATED BY CHILDREN OR PERSONS WITH REDUCED PHYSICAL, MENTAL, OR SENSORY CAPACITIES, OR THOSE WITHOUT THE APPROPRIATE TRAINING.

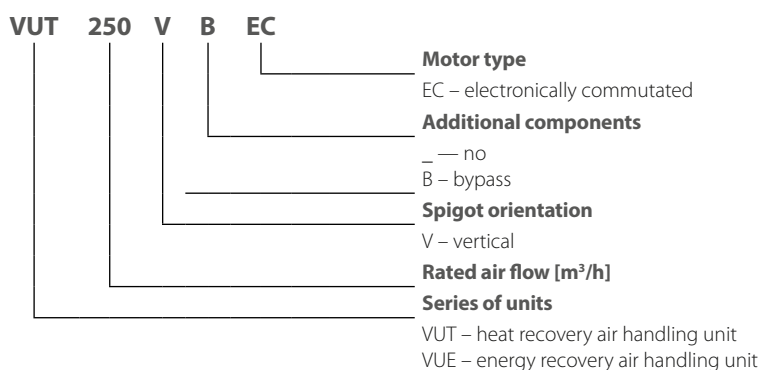
THE UNIT MUST BE INSTALLED AND CONNECTED ONLY BY PROPERLY QUALIFIED PERSONNEL AFTER THE APPROPRIATE BRIEFING.

THE CHOICE OF UNIT INSTALLATION LOCATION MUST PREVENT UNAUTHORIZED ACCESS BY UNATTENDED CHILDREN.

DELIVERY SET

Name	Number
Air handling unit	1 pc.
User's manual	1 pc.
Control panel user's manual	1 pc.
Control panel	1 pc.
Drain pipe	1 pc.
Mounting bracket	1 pc.
F7 label	1 pc.
Packing box	1 pc.

DESIGNATION KEY



TECHNICAL DATA

The unit is designed for indoor application with the ambient temperature ranging from +1 °C up to +40 °C and relative humidity up to 80 %. In order to prevent condensation on the internal walls of the units, it is necessary that the surface temperature of the casing is 2-3 °C higher than the dew point temperature of the transported air.

The unit is rated as a Class I electrical appliance.

Hazardous parts access and water ingress protection rating:

- IP22 for the unit connected to the air ducts
- IP44 for the unit motors

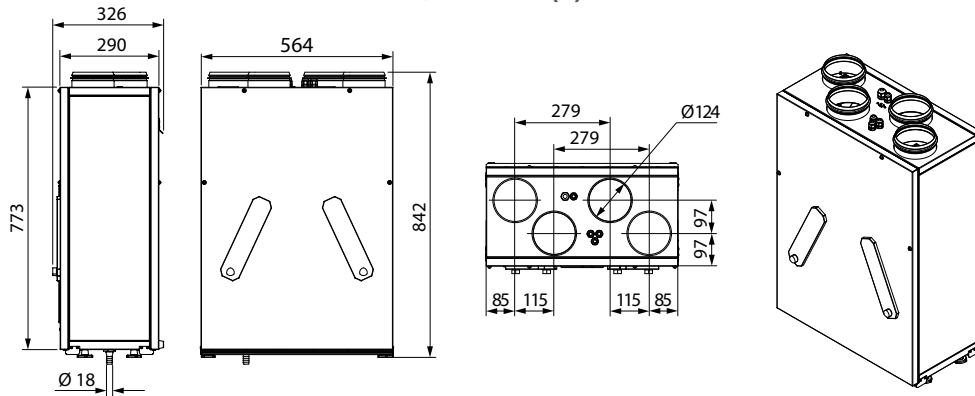
The unit design is constantly being improved, thus some models may be slightly different from those described in this manual.

TECHNICAL DATA

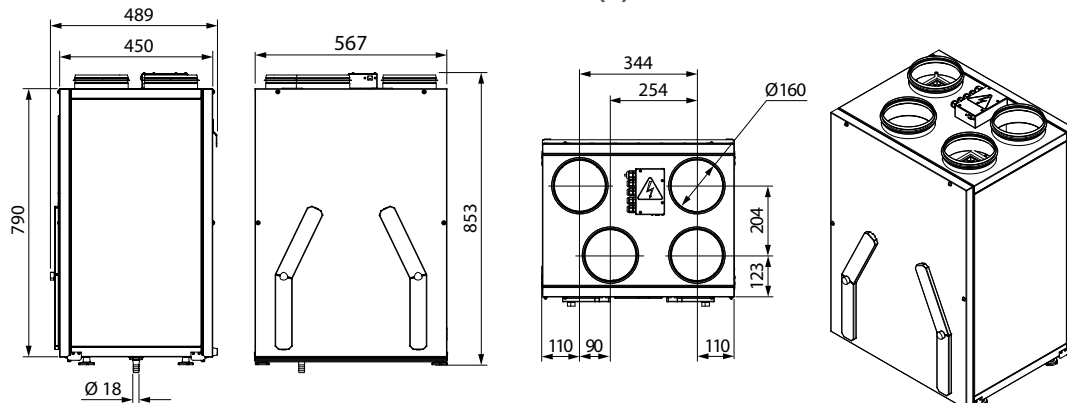
Parameter	VUT 200 VEC	VUE 200 VEC	VUT 200 VB EC	VUE 200 VB EC	VUT 250 VEC	VUE 250 VEC	VUT 250 VB EC	VUE 250 VB EC
Unit voltage [V/50 (60) Hz]	1~230							
Maximum unit power [W]	112				115			
Unit current [A]	0.9				0.9			
Maximum air flow [m ³ /h]	250				290			
Sound pressure level at a distance of 3 m [dBA]	24				25			
RPM [min ⁻¹]	2050							
Transported air temperature [°C]	from -25 up to +40		from -25 up to +40		from -25 up to +40		from -25 up to +40	
Casing material	polymer coated steel		polymer coated steel		polymer coated steel		polymer coated steel	
Insulation	25 mm, mineral wool		25 mm, mineral wool		30 mm, mineral wool		30 mm, mineral wool	
Extract filter	G3		G3		G4		G4	
Supply filter	G3		G3		G4, F7		G4, F7	
Connected air duct diameter [mm]	Ø125		Ø125		Ø160		Ø160	
Weight [kg]	45		45		51		51	
Heat recovery efficiency [%]	83-98	74-94	83-98	74-94	85-94	77-90	85-94	77-90
Heat exchanger type	counter-flow		counter-flow		counter-flow		counter-flow	
Heat exchanger material	polystyrene	enthalpy	polystyrene	enthalpy	polystyrene	enthalpy	polystyrene	enthalpy
SEC class	A+	A	A+	A	A+	A+	A+	A+

Overall and connecting dimensions [mm]

VUT/VUE 200 V(B) EC

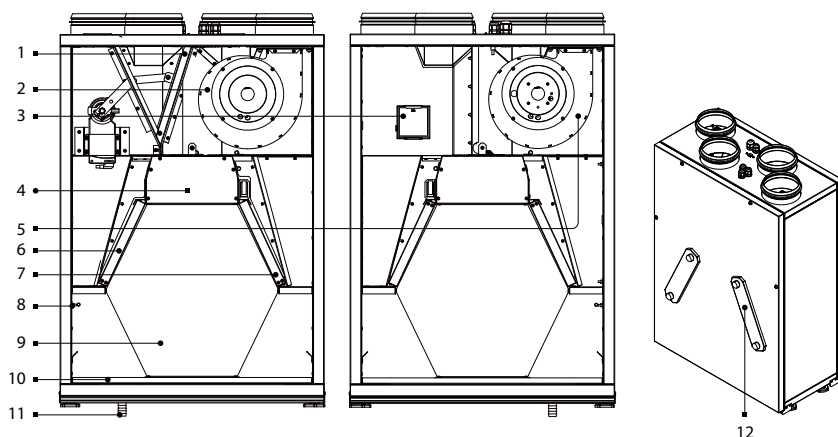


VUT/VUE 250 V(B) EC



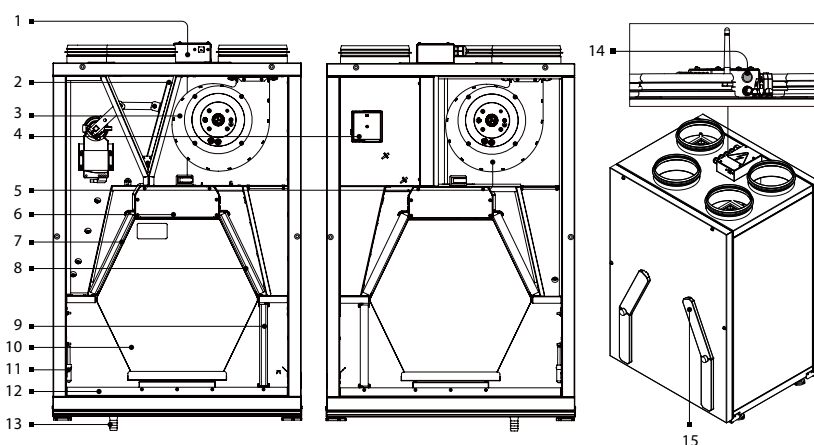
DESIGN AND OPERATING PRINCIPLE

VUT/VUE 200 V(B) EC



- 1 – bypass damper (VUT/VUE 200/250 VB EC)
- 2 – supply fan
- 3 – HV1 or HV2 humidity sensor (installed at the request of the customer)
- 4 – control unit
- 5 – extract fan
- 6 – supply filter
- 7 – extract filter
- 8 – freeze protection sensor
- 9 – counter-flow heat exchanger
- 10 – drain pan
- 11 – drain pipe
- 12 – detachable service plates for filter maintenance operations

VUT/VUE 250 V(B) EC



- 1 – terminal box
- 2 – bypass damper (VUT/VUE 200/250 VB EC)
- 3 – supply fan
- 4 – HV1 or HV2 humidity sensor (installed at the request of the customer)
- 5 – extract fan
- 6 – internal control unit
- 7 – supply filter
- 8 – extract filter
- 9 – supply filter
- 10 – counter-flow heat exchanger
- 11 – freeze protection sensor
- 12 – drain pan
- 13 – drain pipe
- 14 – SETUP MODE button (for the units with A21 automation)
- 15 – detachable service plates for filter maintenance operations

The unit casing is made of rigidly fixed panels. The panels are made of painted steel sheet and galvanized steel sheet with a heat- and sound-insulating layer of mineral wool between them.

The front panel of the unit has removable plates to enable filter replacement. Location of the service side may be changed.

The difference between the supply and extract air flow temperatures in the VUT 200/250 V(B) EC units leads to condensate generation. Condensate is collected in the drain pan and is removed outside through the drain pipe.

The VUE 200/250 V(B) EC units are equipped with an enthalpy heat exchanger and do not require condensate drainage.

Accessories for the unit are available on a separate order.

- **Humidity sensor.** The unit with an installed humidity sensor maintains a set indoor humidity level. As the extract air humidity rises above the set point, the system automatically switches to the maximum speed. As the humidity drops down below the set point, the unit returns to the previous mode.
- **CO₂ sensor.** Measures the level of concentration of carbon dioxide in the room and generates a signal that controls the performance of the fan. Air capacity control based on CO₂ concentration is an efficient energy saving solution.
- **VOC sensor.** Qualitative assessment of air saturation with contaminants (cigarette smoke, exhaled air, solvent and detergent vapours). The sensor sensitivity can be adjusted with regards to the expected maximum level of air pollution. Enables on-demand ventilation which results in considerable energy savings as air is exchanged only upon reaching the preset level of pollution.
- **NKP duct heater for intake air preheating.** The heater maintains the air temperature in the intake duct at a level that prevents the heat exchanger from freezing. Heater installation and connection to the unit are described in the heater user's manual.
- **NKD duct reheater.** The heater maintains the room temperature set by the user. Heater installation and connection to the unit are described in the heater user's manual.

Compatibility table of optional equipment and unit models

	HV1 internal humidity sensor	HV2 internal humidity sensor	Room CO2-1 sensor	Room CO2-2 sensor	Room humidity sensor	Room VOC sensor (0-10V)	Room CO2 sensor (0-10V)	Room humidity sensor (0-10V)	NKP heater	NKD heater
VUT 200 V EC A14	-	+	+	+	+	-	-	-	-	-
VUT 200 VB EC A14										
VUE 200 V EC A14										
VUE 200 VB EC A14										
VUT 250 V EC A19	+	-	+	+	+	-	-	-	+	+
VUT 250 V EC A14	-	+							-	-
VUT 250 V EC A11	+	-	-	-	-	-	-	-	-	-
VUT 250 VB EC A19		-								
VUT 250 VB EC A21	-	+	+	+	+	+	+	+	+	+
VUT 250 VB EC A14	-	-	-	-	-	-	-	-	-	-
VUT 250 VB EC A11	+									
VUE 250 V EC A19	-	-	+	+	+	-	-	-	-	-
VUE 250 V EC A14		+								
VUE 250 V EC A11	+	-	-	-	-	-	-	-	-	-
VUE 250 VB EC A19		-								
VUE 250 VB EC A21	-	+	+	+	+	+	+	+	+	+
VUE 250 VB EC A14	-	-	-	-	-	-	-	-	-	-
VUE 250 VB EC A11	+									

UNIT OPERATION MODES

Heat Recovery mode

Air from the room flows into the unit, where it is filtered by the extract filter, then air flows through the heat exchanger and is exhausted outside by the exhaust fan. Air from outside flows into the unit, where it is cleaned in the supply filter. Then the air flows through the heat exchanger and is directed to the room with the supply fan. Intake air is heated in the heat exchanger by transferring the heat energy of warm and humid extract air to the cold fresh air. The air flows are fully separated while flowing through the heat exchanger. Heat recovery minimizes heat losses, which reduces the cost of space heating in the cold season.

Freeze protection (danger of freezing appears when the exhaust air temperature downstream of the heat exchanger is lower than +5 °C and intake air temperature upstream of the heat exchanger is lower than -3 °C for the units with preheating, and when exhaust temperature downstream of the heat exchanger is lower than +3 °C for the units without preheating). To protect the heat exchanger from freezing in the cold season, the unit has a Frost Protection mode based on the temperature sensor readings. The temperature sensor is installed in the exhaust air duct downstream of the heat exchanger.

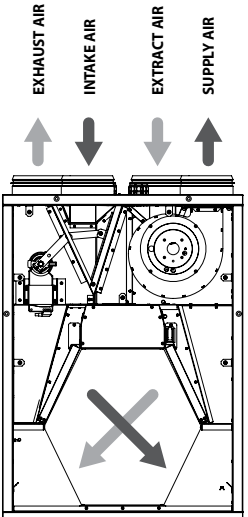
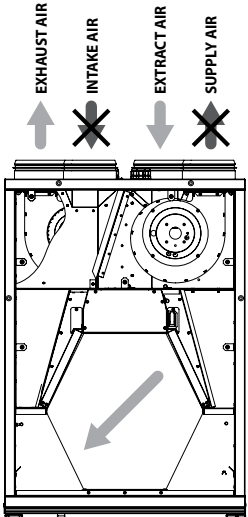
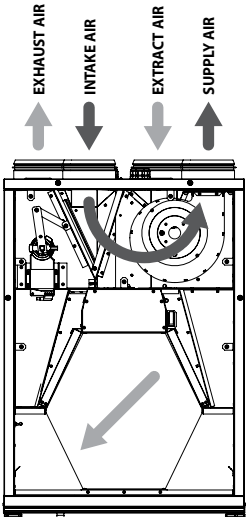
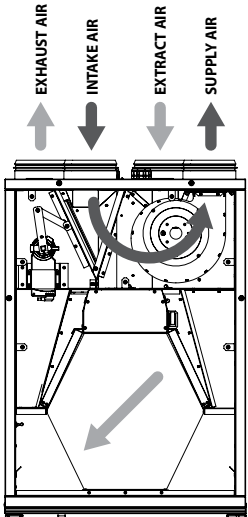
The Frost Protection mode is activated at an exhaust air temperature of +3 °C. After temperature increase the unit returns to the previous operation mode. In units with an A11 or A19 control panel, the frost protection mode must be activated, see the User's manual of the control panel. In case of freezing danger, the supply fan is turned off in the units with an A14 control panel. After temperature increase the unit returns to the previous operation mode. The VUT/VUE 250 V(B) EC A21 units have three frost protection modes: gradual reduction of the supply fan speed; with the bypass; with the electric preheater (if the unit is equipped with a duct preheater). Mode selection and settings are described in the A21 control system user's manual.

Summer Cooling mode (ventilation)

The extract air flows through the bypass duct and does not come in contact with the heat exchanger. The air duct is opened with the bypass damper. The intake air temperature remains constant.

AIR FLOW DIRECTION

The air flow direction depending on the operation mode of the VUT/VUE 200 V(B) EC unit is shown below.

Heat Recovery mode	Freeze protection		Summer Cooling mode
	Supply fan is off	Bypass duct is opened	Bypass duct is opened
VUT/VUE 200 V(B) EC VUT/VUE 250 V(B) EC	VUT/VUE 200 V(B) EC VUT/VUE 250 V(B) EC	VUT/VUE 200 V(B) EC VUT/VUE 250 V(B) EC	VUT/VUE 200 V(B) EC VUT/VUE 250 V(B) EC
			

MOUNTING AND SET-UP



READ THE USER'S MANUAL BEFORE INSTALLING THE UNIT.

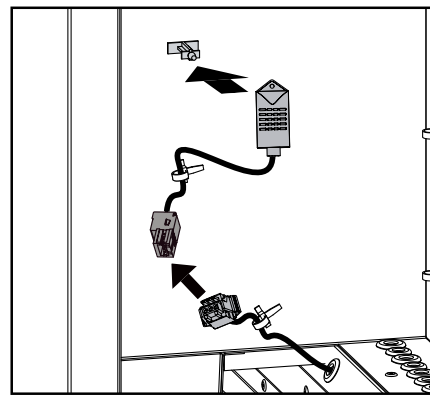
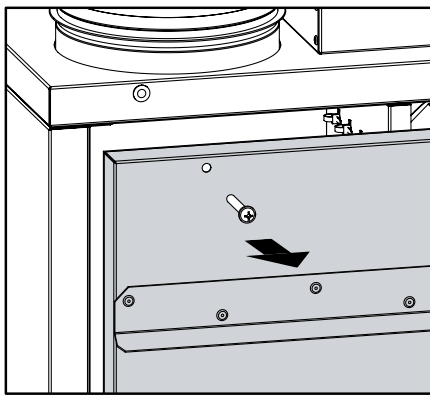
HUMIDITY SENSOR MOUNTING IN THE EXTRACT AIR DUCT

CAUTION!

The humidity sensor must be installed in the air duct prior to the unit mounting.

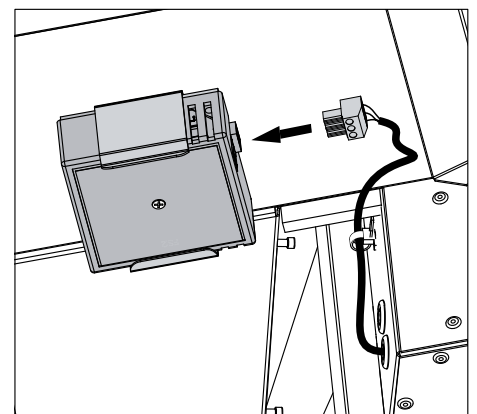
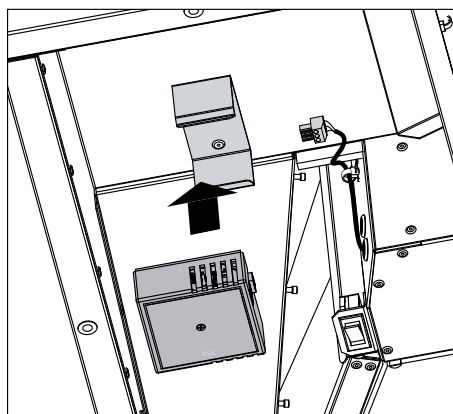
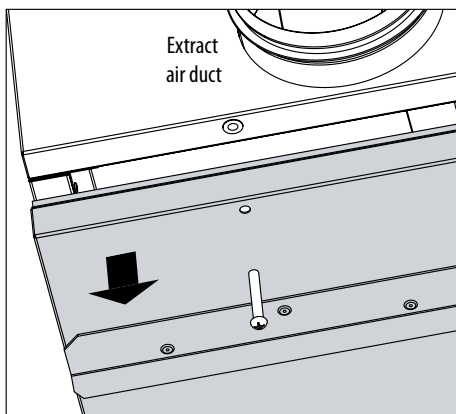
HV1 humidity sensor mounting sequence:

- Remove the screws that retain the panel on side of the extract spigot and remove it.
- Place the humidity sensor in the mount.
- Connect the humidity sensor connector to the connector with a cable from the control unit. The connector is mounted by the manufacturer.



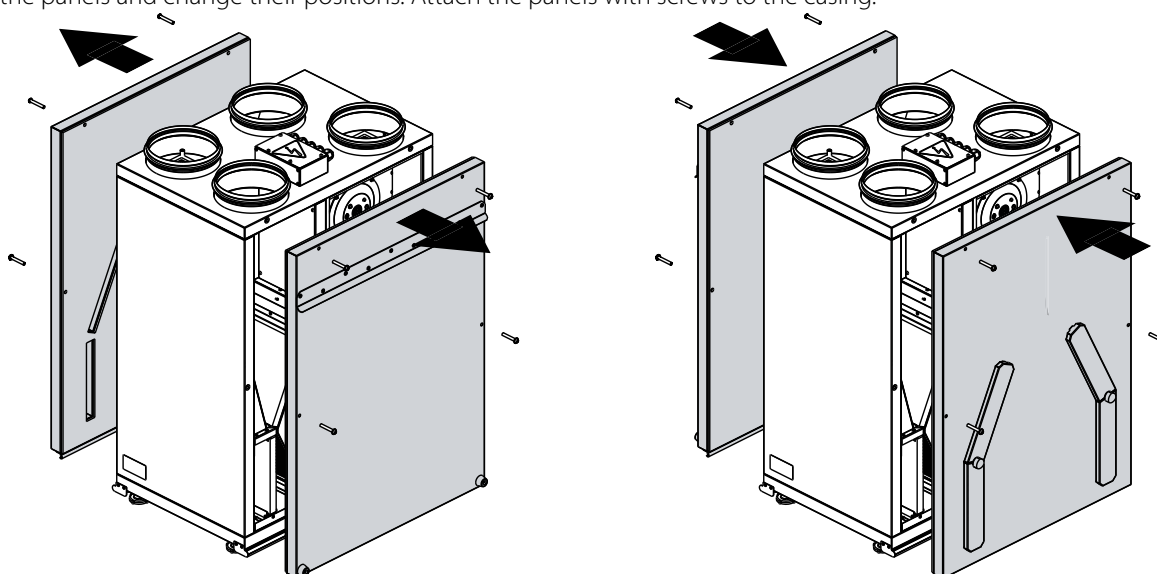
HV2 humidity sensor mounting sequence:

- Remove the screws that retain the panel on side of the extract spigot and remove it.
- Place the humidity sensor in the mount.
- Connect the humidity sensor connector to the connector with a cable from the control unit. The connector is mounted by the manufacturer.

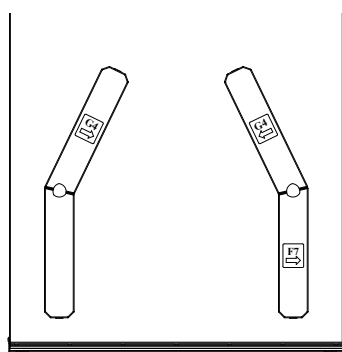


SERVICE SIDE CHANGE

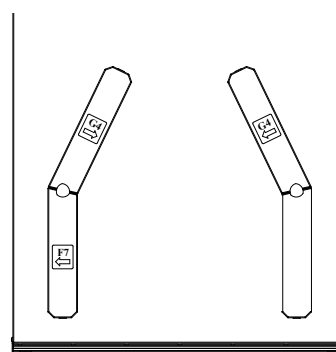
- Unscrew the front panel on the service side and the back panel.
- Remove the panels and change their positions. Attach the panels with screws to the casing.



The delivery set includes a label indicating the filter type and the air flow direction. Stick it on a removable plate (only for the VUT/VUE 250 V(B) EC units).



Before service side change



After service side change

Note: service side change is shown by the example of the VUT/VUE 250 V(B) EC unit.

UNIT INSTALLATION

To get the best performance of the unit and to minimize turbulence-induced air pressure losses, connect the straight air duct section to the spigots on both sides of the unit while installing. Minimum straight air duct length:

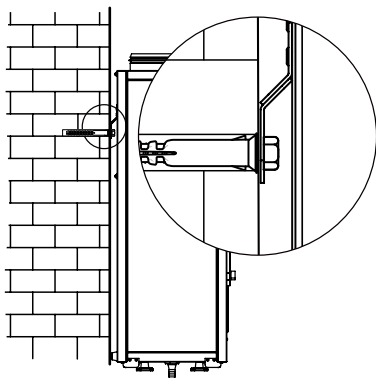
- equal to 1 air duct diameter on the intake side
- equal to 3 air duct diameters on outlet side

If the air ducts are too short or not connected, protect the unit parts from ingress of foreign objects. To prevent uncontrollable access to the fan, the spigots may be covered with a protecting grille or other protecting device with mesh width not more than 12.5 mm.

While installing the unit, ensure convenient access for subsequent maintenance and repair. The unit must be mounted on a plane wall. Installing the unit to an uneven surface could lead to the unit's casing distortion and operation disturbance.

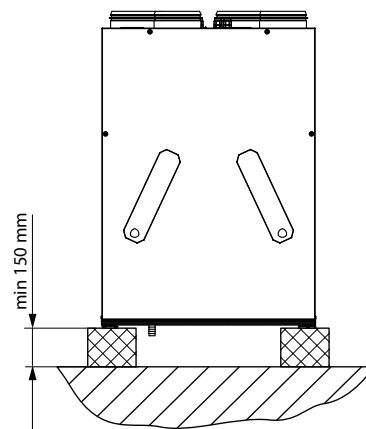
UNIT WALL MOUNTING

Fasteners for wall mounting are not included in the delivery set and should be ordered separately. While choosing fasteners consider the material of the mounting surface as well as the weigh of the unit, refer to the "Technical data" section. Fasteners for unit installation should be selected by a qualified technician. Secure the wall bracket at the desired level. Hang the unit on the bracket.



UNIT FLOOR MOUNTING

Install the unit on the pre-mounted floor supports, minimum 150 mm height, to ensure sufficient access for the drain pipe connection to the U-trap and for condensate drain system installation.

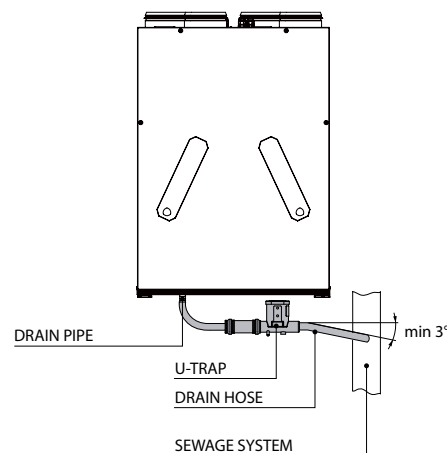
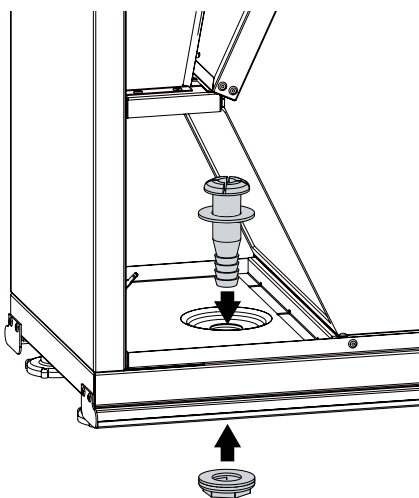


Note: mounting is shown by the example of the VUT/VUE 200 V(B) EC unit.

CONDENSATE DRAINAGE

Condensate drainage is required for the VUT 200/250 V(B) EC units.

The hole for the drain pipe is at the bottom of the unit. Remove the plug from the hole, open the service panel and install the drain pipe from the delivery set into the hole, then connect the drain pipe to the sewage system using the SG-32 U-trap kit (available upon separate order). The drain pipe must have a minimum slope of 3°.



Note: installation of the drain pipe is shown on the example of the VUT 200 V(B) EC unit.

CONNECTION TO POWER MAINS

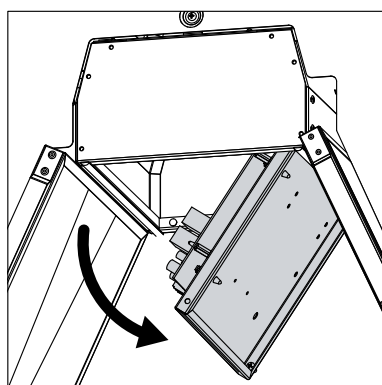
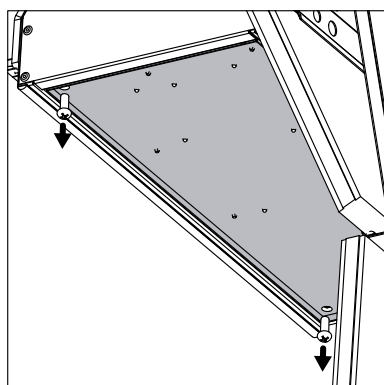


**POWER OFF THE POWER SUPPLY PRIOR TO ANY OPERATIONS WITH THE UNIT.
THE UNIT MUST BE CONNECTED TO POWER SUPPLY BY A QUALIFIED ELECTRICIAN.
THE RATED ELECTRICAL PARAMETERS OF THE UNIT ARE GIVEN ON THE
MANUFACTURER'S LABEL.**



**ANY TAMPERING WITH THE INTERNAL CONNECTIONS IS PROHIBITED
AND WILL VOID THE WARRANTY.**

- The unit is rated for connection to 1~230 V/50 (60) Hz power mains.
- The unit must be connected to power mains using insulated electric conductors (cables, wires). The actual wire cross section selection must be based on the maximum load current, maximum conductor temperature depending on the wire type, insulation, length and installation method.
- The external power input must be equipped with an automatic circuit breaker built into the stationary wiring to open the electric circuit in case of overload or short-circuit. The circuit breaker installation place must provide quick access for emergency shutdown of the unit. The trip current of the automatic circuit breaker **QF** must exceed the maximum current consumption of the unit (refer to the technical data table). The recommended trip current of the circuit breaker is the next current in the standard trip current row following the maximum current of the connected unit. The automatic circuit breaker is not included in the delivery set.

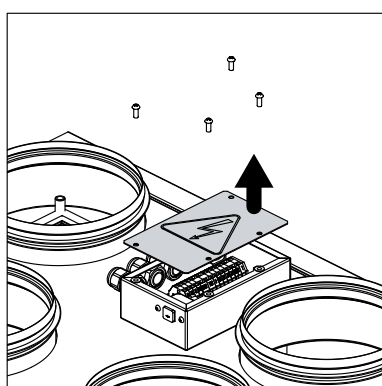


Access to the control unit

- Unscrew the front panel on the service side and remove it.
- Remove the heat exchanger.
- Remove the screws that retain the electric mounting plate and push it downwards.

For VUT/VUE 200 V(B) EC models both terminal blocks X1 and X2 are located on the electric mounting plate of the internal control unit.

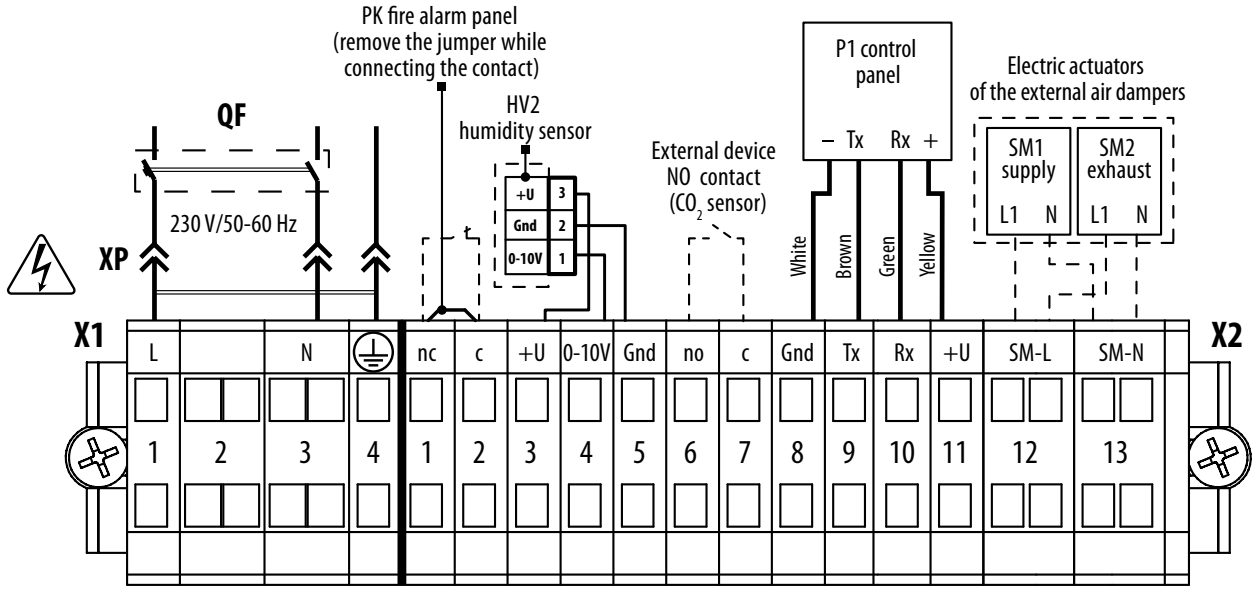
For VUT/VUE 250 V(B) EC models the terminal block X1 is located on the electric mounting plate.



Access to the terminal box (only for the VUT/VUE 250 V(B) EC units)

- The X2 terminal block is located in the external terminal box on the unit casing.
- To access the X2 terminal block, remove the screws on the terminal box and remove the lid.

EXTERNAL WIRING DIAGRAM FOR THE VUT/VUE 200 V(B) EC A14 UNIT

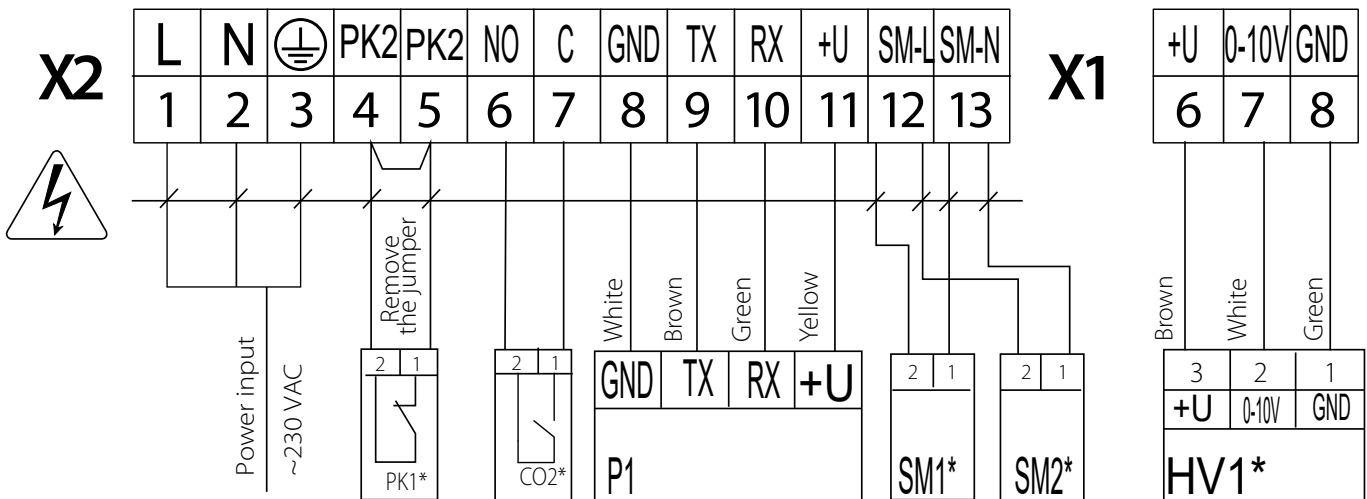


— ELECTRIC SHOCK HAZARD!

Designation	Name	Cable type	Maximum cable length	Note
SM1*	Supply air damper actuator	2x0.75 mm ²	20 m	LF 230
SM2*	Extract air damper actuator	2x0.75 mm ²	20 m	LF 230
PK*	Contact from fire alarm panel	2x0.75 mm ²	20 m	no
P1	Control panel	4x0.25 mm ²	10 m	

*is not included in the delivery set.

EXTERNAL WIRING DIAGRAM FOR THE VUT/VUE 250 V(B) EC A14 UNIT



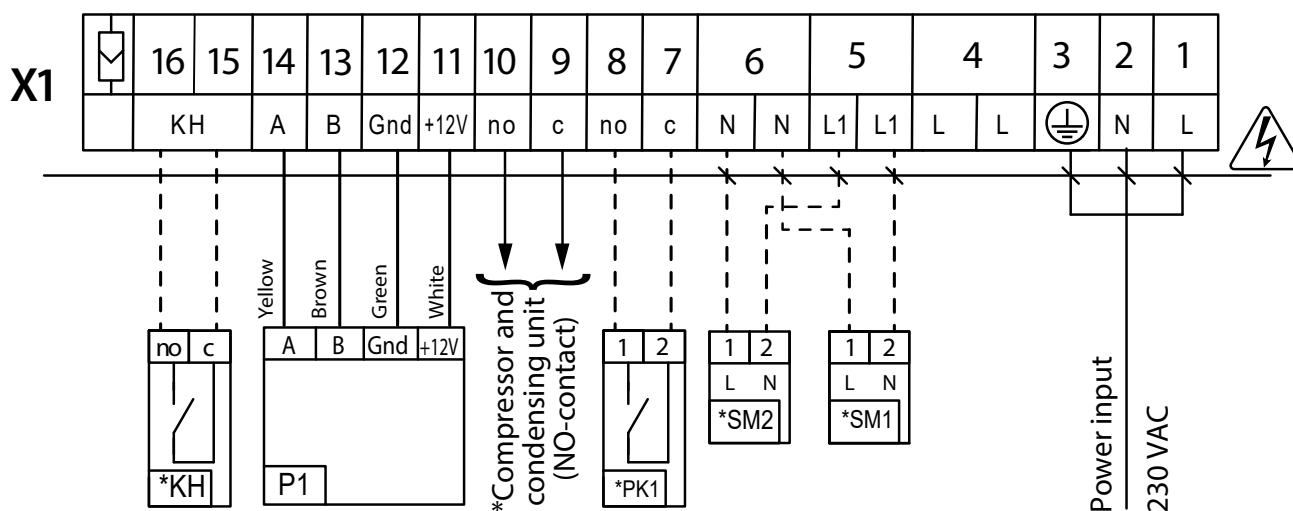
— ELECTRIC SHOCK HAZARD!

Designation	Name	Model	Wire***
SM1*	Supply air damper actuator		2 x 0.75 mm ²
SM2*	Extract air damper actuator		2 x 0.75 mm ²
PK1*	Contact from fire alarm panel	NC	2 x 0.75 mm ²
CO2*	CO ₂ sensor	NO	2 x 0.75 mm ²
HV1*	Humidity sensor		3 x 0.75 mm ²
P1	External control panel		4 x 0.25 mm ²

*is not included in the delivery set.

**Maximum connecting cable length is 20 m!

EXTERNAL WIRING DIAGRAM FOR THE VUT/VUE 250 V(B) EC A19 UNIT

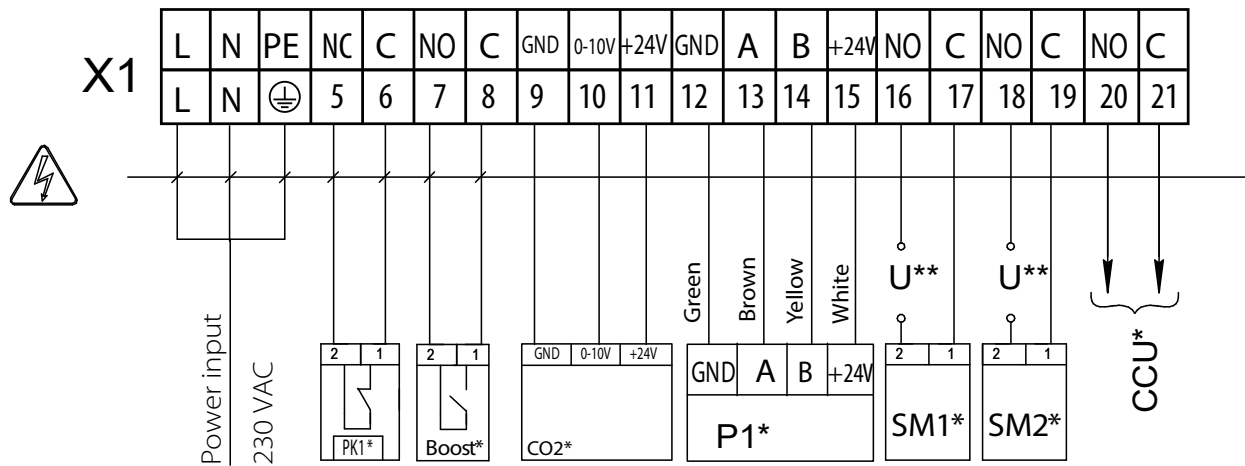


Designation	Name	Model	Wire
*CCU	DX cooler	NO	2x0.75 mm ²
*SM1	Supply air damper actuator	LF 230	2x0.75 mm ²
*SM2	Extract air damper actuator	LF 230	2x0.75 mm ²
*PK1	Contact from fire alarm panel	NO	2x0.75 mm ²
*KH	Contact from kitchen hood	NO	2x0.75 mm ²
P1	External control panel		

*The unit is not included in the delivery set.



EXTERNAL WIRING DIAGRAM FOR THE VUT/VUE 250 V(B) EC A21 UNIT



Designation	Name	Model	Wire***	Note
SM1*	Supply air damper actuator	NO	2 x 0.75 mm ²	3 A, 30VDC/~250 AC
SM2 *	Extract air damper actuator	NO	2 x 0.75 mm ²	3 A, 30VDC/~250 AC
PK1*	Contact from fire alarm panel	NC	2 x 0.75 mm ²	
CCU*	CCU control	NO	2 x 0.75 mm ²	3 A, 30VDC/~250 AC
P1*	External control panel		4 x 0.25 mm ²	
Boost*	Contacts ON/OFF Boost	NO	2 x 0.75 mm ²	
CO2*	Outdoor CO ₂ sensor		3 x 0.75 mm ²	

*Is not included in the delivery set.

** The supply voltage U of the SM1 and SM2 external dampers is selected depending on the type of dampers.

*** Maximum connecting cable length is 20 m!

Output parameters: terminals 16-21 – 3 A, 30VDC / ~ 250VAC ("dry contact").



— ELECTRIC SHOCK HAZARD!

TECHNICAL MAINTENANCE



DISCONNECT THE UNIT FROM POWER SUPPLY BEFORE ANY MAINTENANCE OPERATIONS!

The unit must undergo technical maintenance 3 to 4 times a year. Maintenance includes general cleaning of the unit and the following operations:

1. Filter maintenance (3-4 times per year).

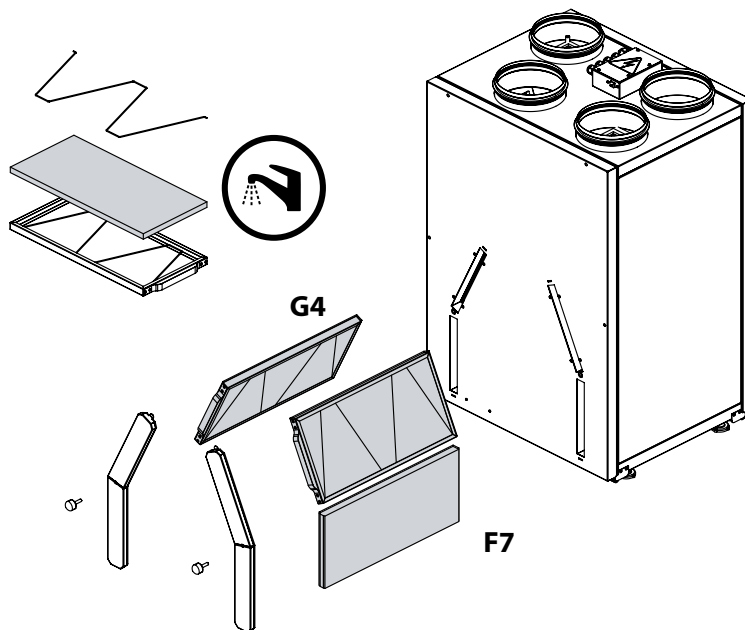
Dirty filters increase air resistance in the system and reduce supply air volume. The filters require cleaning not less than 3-4 times per year.

Cleaning of F7 filters

Remove the dirty filters from the unit. Clean the filters with a vacuum cleaner and install them back to the unit. After two cleanings filters must be replaced. For new filters contact the Seller.

Cleaning of G4 filters

Remove the dirty filters from the unit. Then remove the retaining clamps to pull the filters from the frames. Rinse the filters with water and leave them dry out. After drying, reassemble the filters in the reverse order and place them back into the unit. Note: access to the filters is shown on the example of the VUT/VUE 250 V(B) EC unit.



2. Heat exchanger maintenance (once a year).

Some dust may accumulate on the heat exchanger block even in case of regular maintenance of the filters. To maintain the high heat recovery efficiency, regular cleaning is required.

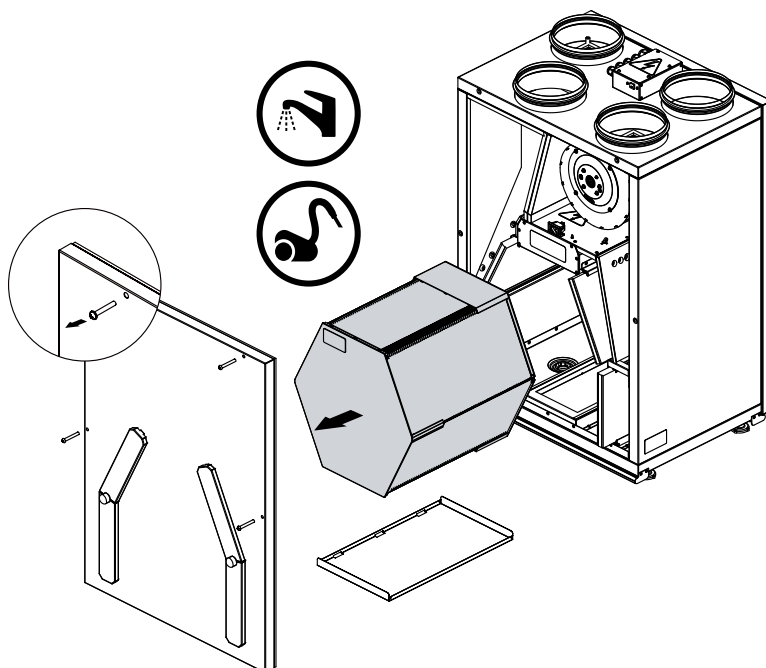
Wet cleaning of the heat exchanger

To clean the heat exchanger, pull it out, flush the heat exchanger with warm detergent solution. After cleaning install the dry heat exchanger back to the unit.

Dry cleaning of the heat exchanger

Remove the clogged heat exchanger out of the unit, clean it with a vacuum cleaner and install the heat exchanger back to the unit.

Note: access to the heat exchanger is shown on the example of the VUT/VUE 250 V(B) EC unit.



3. Fan maintenance (once a year).

Even in case of regular maintenance of the filters, some dust may accumulate inside the fans and reduce the fan performance and supply air flow. Clean the fans with a soft brush or cloth. Do not use water, aggressive solvents, or sharp objects as they may damage the impeller.

4. Technical maintenance of condensate drainage system (once a year).

The condensate drainage (drain line) may get clogged by dirt and dust particles contained in the exhaust air. Pour some water inside the drain pan to check the pipe for clogging. Clean the U-trap and the drain pipe if required.

5. Technical maintenance of air duct system (every 5 years).

Even regular fulfilling of all the prescribed above maintenance operations may not completely prevent dirt accumulation in the air ducts which reduces the unit capacity. Duct maintenance means regular cleaning or replacement.

6. Control unit maintenance (if necessary).

The control unit maintenance must be performed by an expert qualified for unassisted operations with electrical installations with the voltage up to 1000 V after careful reading of the user's manual.

TROUBLESHOOTING



IF UNIDENTIFIED NOISES OR ODOURS SHOULD ARISE AND IN CASE OF DEFORMATION OF ELEMENTS, VIBRATION, TERMINATION OF AIR SUPPLY/EXTRACTION OR REDUCED SYSTEM PERFORMANCE, IMMEDIATELY DISCONNECT THE UNIT FROM POWER SUPPLY AND CONTACT THE SELLER FOR THE VENTILATION SYSTEM DIAGNOSTICS. DIAGNOSTICS MUST BE CARRIED OUT BY QUALIFIED SPECIALISTS

POSSIBLE REASONS AND TROUBLESHOOTING

Problem	Possible reasons	Troubleshooting
The fan(s) does not start when the unit is on.	No power supply.	Make sure the power supply line is connected correctly, otherwise troubleshoot the connection error.
	The mode in which the fans are turned off is set.	Change the mode with the help of the control panel.
Low air flow.	Low set fan speed.	Set higher speed.
	The filters and the fans are clogged, the heat exchanger is clogged.	Clean or replace the filters, clean the fans and the heat exchanger.
Cold supply air.	Ventilation system elements (air ducts, diffusers, louver shutters, grilles) are clogged, damaged, or closed.	Clean or replace the ventilation system elements, such as air ducts, diffusers, louver shutters, grilles.
	The extract filter is soiled.	Clean or replace the extract filter.
Noise, vibration.	The fan or casing screw connection is loose.	Tighten the screw connection of the fans or the casing.
	No anti-vibration connectors on air duct pipe flanges.	Install anti-vibration connectors.
Water leakage (only for the VUT VB EC units)	The drainage system is soiled, damaged, or installed incorrectly.	Clean the drain line. Check the drain line slope angle. Make sure that the U-trap is filled with water and the drain pipes are frost protected.

If troubleshooting steps have failed, contact the Seller of the product.

In case of faults not described in the table, contact the Seller for further information.

STORAGE AND TRANSPORTATION REGULATIONS

- Store the unit in the manufacturer's original packaging box in a dry closed ventilated premise with temperature range +5 °C...+40 °C and relative humidity up to 70 %.
- Storage environment must not contain aggressive vapors and chemical mixtures provoking corrosion, insulation, and sealing deformation.
- Use suitable hoist machinery for handling and storage operations to prevent possible damage to the unit.
- Follow the handling requirements applicable for the particular type of cargo.
- The unit can be carried in the original packaging by any mode of transport provided proper protection against precipitation and mechanical damage. The unit must be transported only in the working position.
- Avoid sharp blows, scratches, or rough handling during loading and unloading.
- Prior to the initial power-up after transportation at low temperatures, allow the unit to warm up at operating temperature for at least 3-4 hours.

MANUFACTURER'S WARRANTY

The product is in compliance with EU norms and standards on low voltage guidelines and electromagnetic compatibility. We hereby declare that the product complies with the provisions of Electromagnetic Compatibility (EMC) Directive 2014/30/EU of the European Parliament and of the Council, Low Voltage Directive (LVD) 2014/35/EU of the European Parliament and of the Council and CE-marking Council Directive 93/68/EEC. This certificate is issued following test carried out on samples of the product referred to above.

The manufacturer hereby warrants normal operation of the unit for 24 months after the retail sale date provided the user's observance of the transportation, storage, installation, and operation regulations. Should any malfunctions occur in the course of the unit operation through the Manufacturer's fault during the guaranteed period of operation, the user is entitled to get all the faults eliminated by the manufacturer by means of warranty repair at the factory free of charge. The warranty repair includes work specific to elimination of faults in the unit operation to ensure its intended use by the user within the guaranteed period of operation. The faults are eliminated by means of replacement or repair of the unit components or a specific part of such unit component.

The warranty repair does not include:

- routine technical maintenance
- unit installation/dismantling
- unit setup

To benefit from warranty repair, the user must provide the unit, the user's manual with the purchase date stamp, and the payment paperwork certifying the purchase. The unit model must comply with the one stated in the user's manual. Contact the Seller for warranty service.

The manufacturer's warranty does not apply to the following cases:

- User's failure to submit the unit with the entire delivery package as stated in the user's manual including submission with missing component parts previously dismantled by the user.
- Mismatch of the unit model and the brand name with the information stated on the unit packaging and in the user's manual.
- User's failure to ensure timely technical maintenance of the unit.
- External damage to the unit casing (excluding external modifications as required for installation) and internal components caused by the user.
- Redesign or engineering changes to the unit.
- Replacement and use of any assemblies, parts and components not approved by the manufacturer.
- Unit misuse.
- Violation of the unit installation regulations by the user.
- Violation of the unit control regulations by the user.
- Unit connection to power mains with a voltage different from the one stated in the user's manual.
- Unit breakdown due to voltage surges in power mains.
- Discretionary repair of the unit by the user.
- Unit repair by any persons without the manufacturer's authorization.
- Expiration of the unit warranty period.
- Violation of the unit transportation regulations by the user.
- Violation of the unit storage regulations by the user.
- Wrongful actions against the unit committed by third parties.
- Unit breakdown due to circumstances of insuperable force (fire, flood, earthquake, war, hostilities of any kind, blockades).
- Missing seals if provided by the user's manual.
- Failure to submit the user's manual with the unit purchase date stamp.
- Missing payment paperwork certifying the unit purchase.



FOLLOWING THE REGULATIONS STIPULATED HEREIN WILL ENSURE A LONG AND TROUBLE-FREE OPERATION OF THE UNIT.



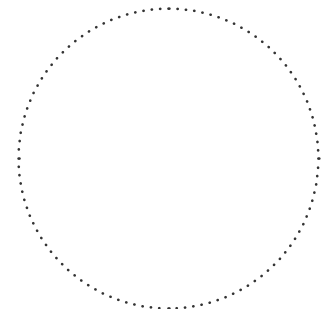
USER'S WARRANTY CLAIMS SHALL BE SUBJECT TO REVIEW ONLY UPON PRESENTATION OF THE UNIT, THE PAYMENT DOCUMENT AND THE USER'S MANUAL WITH THE PURCHASE DATE STAMP.

CERTIFICATE OF ACCEPTANCE

Unit Type	Heat recovery air handling unit
Model	VUT/VUE V _____
Serial Number	
Manufacture Date	
Quality Inspector's Stamp	

SELLER INFORMATION

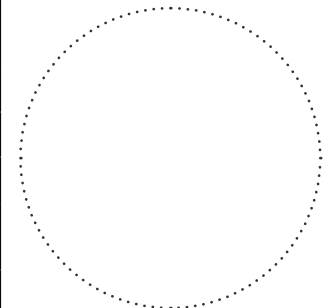
Seller	
Address	
Phone Number	
E-mail	
Purchase Date	
This is to certify acceptance of the complete unit delivery with the user's manual. The warranty terms are acknowledged and accepted.	
Customer's Signature	



Seller's Stamp

INSTALLATION CERTIFICATE

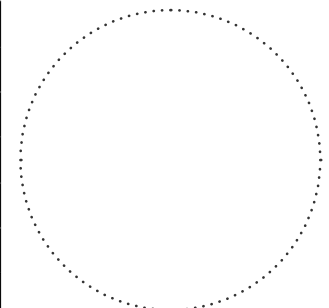
The VUT/VUE V _____ unit is installed pursuant to the requirements stated in the present user's manual.	
Company name	
Address	
Phone Number	
Installation Technician's Full Name	
Installation Date:	Signature:
The unit has been installed in accordance with the provisions of all the applicable local and national construction, electrical and technical codes and standards. The unit operates normally as intended by the manufacturer.	
Signature:	



Installation Stamp

WARRANTY CARD

Unit Type	Heat recovery air handling unit
Model	VUT/VUE V _____
Serial Number	
Manufacture Date	
Purchase Date	
Warranty Period	
Seller	



Seller's Stamp



Μιχαήλ Καραολή 19, τκ 143 43, Ν. Χαλκηδόνα, Αθήνα
Τηλ: 211 - 70.55.500 & 210 - 21.30.051, Fax: 210 - 22.23.283

