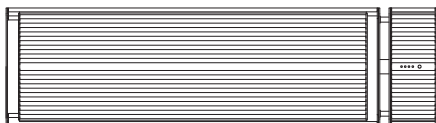




• INFRARED HEATER AHB





This manual provides you with important information needed for setup, operate and maintain your ABH radiant heater.

Failure to follow these instructions may damage and/or impair its operation and void the warranty.

1. INFRARED HEATER THEORY

Far-infrared radiant heaters are produced with unique design and manufacturing technique. Using a specially coated aluminium panel, the heat generated by the heating element is transferred radiantly to people and objects with maximum efficiency. The heat radiated from the panel surface, is absorbed by people, walls, floors, furniture etc.

Infrared heating will not lead to air movement, making the air cleaner, as dust and particles are not disturbed and circulated. Traditional convection heating relies on air movement to distribute the heat. The air remains less humid and gives you a sense of fresh and comfortable warmth, similar to the warmth felt from the sun.

2. PERFORMANCE FEATURES

Comfortable : No wind, light or odor will be produced during the running of this product, so the indoor air is clean without floating dust.

Energy - saving : High heat generation and excellent heat distribution, use less energy than traditional heating methods.

Reliable : The indoor temperature can be adjusted freely, without being limited by seasonal temperatures.

Physical therapy : The heat radiant can change body microcirculation and cell organization under the skin producing resonance, cleaning the barrier of microcirculation, adjusting and balancing the nervous system, promoting metabolism and increasing body physical power. It is very good for people's health.

3. WORKING CONDITIONS

Ambient temperature : -30 °C ÷ +30 °C

Rated voltage : 220 ÷ 240V

Rated frequency : 50 ÷ 60 Hz

Relative humidity : less than 95%

4. INSTALLATION REQUIREMENTS

1. Qualified installer :

The installation must be carried out by trained personnel.

2. Installation conditions :

(I) Supply voltage fluctuation range should be within $\pm 10\%$. If not, please revise before installation.

(II) If there is serious security risk within the user's electrical network, the installation must not proceed, until all problems are resolved.

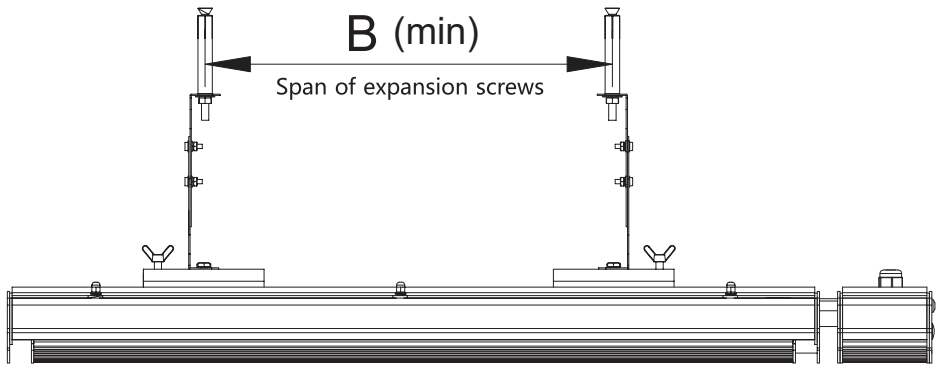
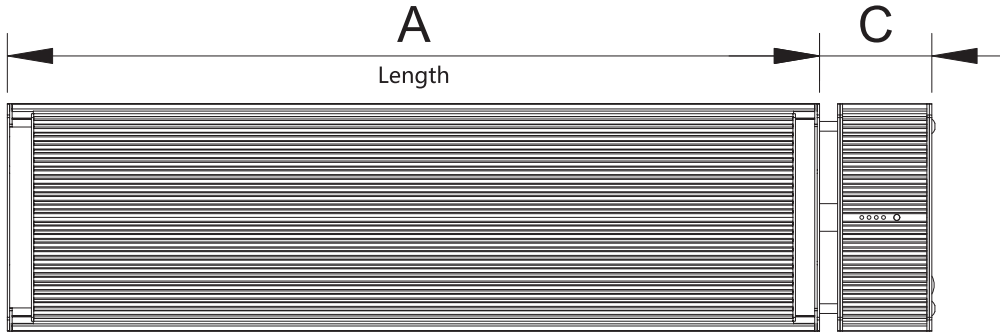
(III) All electrical wiring must be equipped with earth leakage protection devices and master switch.

(IV) Ground wiring must be connected to the building's grounding device. If not, please consult with a professional installer. Do not connect ground wires to gas pipes, water pipes, lightning rods or telephone ground wiring.

Model	Power [W]	Rated Current [A]	Voltage [V]	Cable length [mm]
AHB 18 B	1.800	7,8	220 ÷ 240	2.000
AHB 24 B	2.400	10,4	220 ÷ 240	2.000
AHB 32 B	3.200	13,9	220 ÷ 240	500



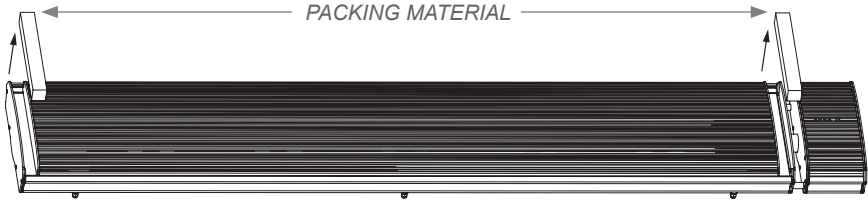
5. INSTALLATION INSTRUCTIONS



Model	A [mm]	B [mm]	C [mm]
AHB 18 B	1.000	700	95
AHB 24 B	1.500	1.200	95
AHB 32 B	2.000	1.700	95

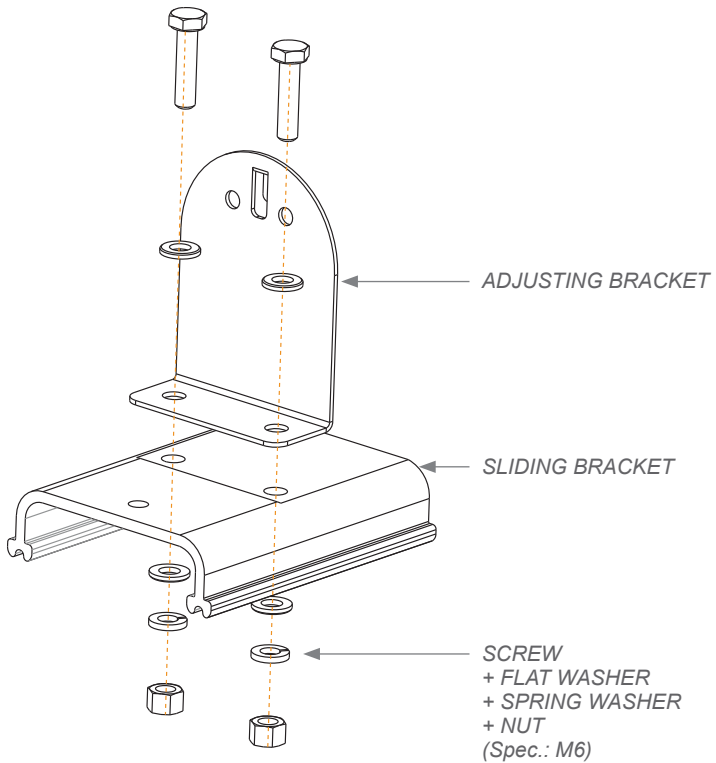
Step 1

Remove packing of both ends of heater.



Step 2

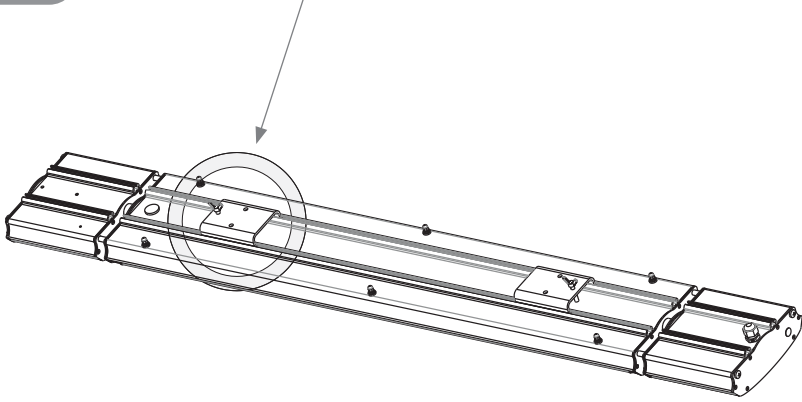
Connect adjusted bracket to sliding bracket.





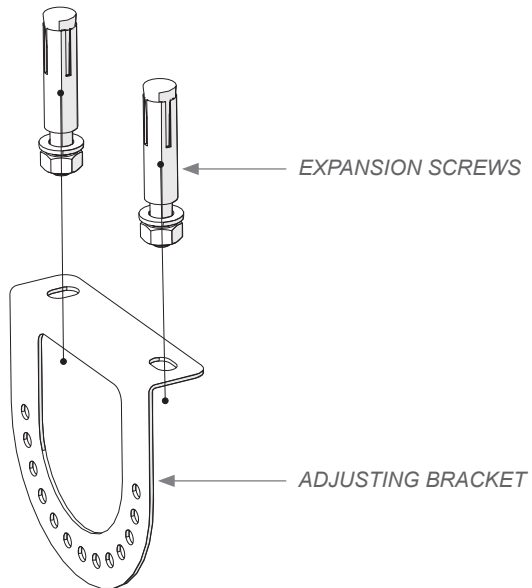
Step 3

Installation of sliding bracket & heater, as arrow points.



Step 4

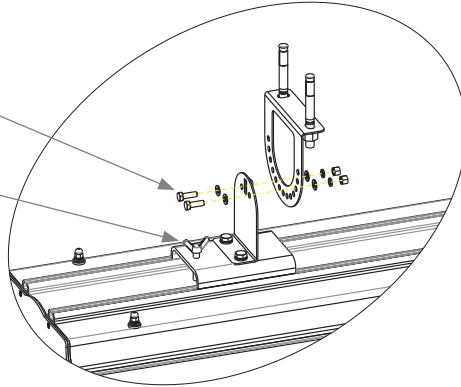
Fix adjusting bracket into the wall by expansion screws.



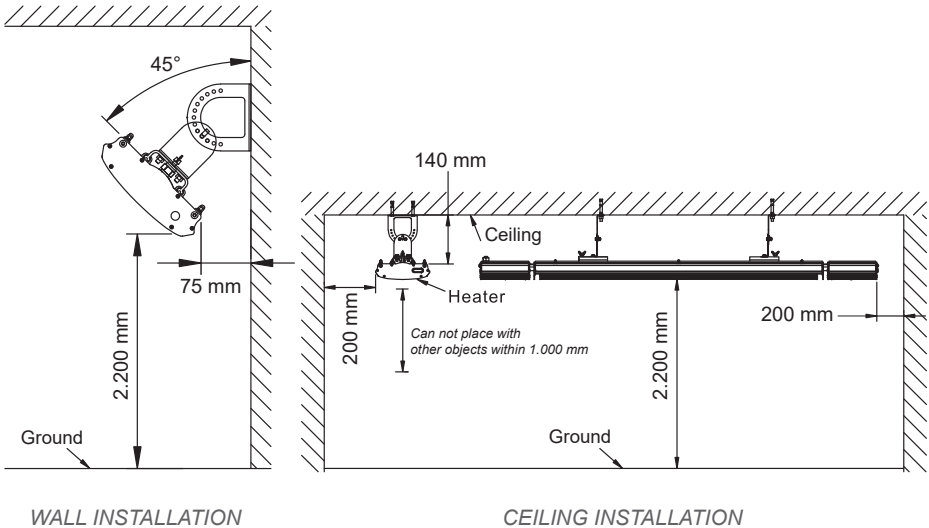
Step 5

Installation of two adjusting brackets; make sure lock brackets tight by butterfly hand screw.

SCREW
 + FLAT WASHER
 + SPRING WASHER
 + NUT
 (Spec.: M5)
 BUTTERFLY HAND SCREW

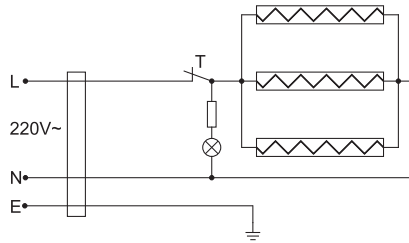


6. INSTALLATION DIAGRAM





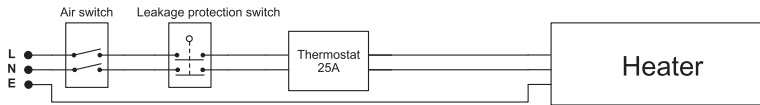
7. INTERNAL WIRE DIAGRAM



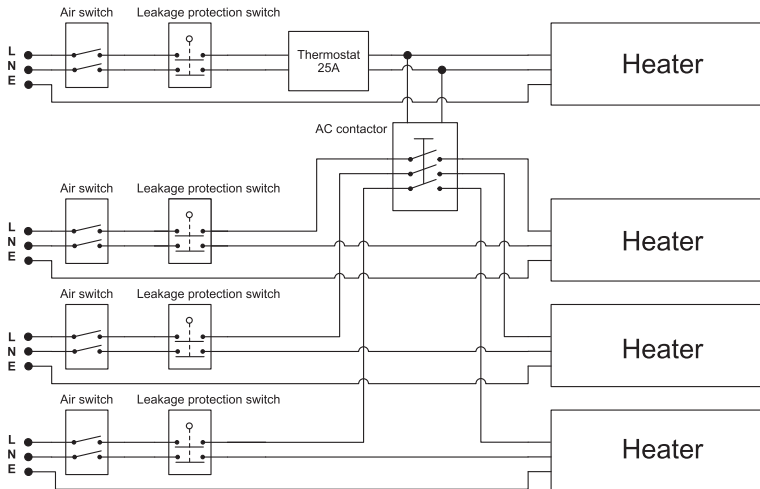
8. WIRE DIAGRAM

Follow wiring instruction as follows :

1. One unit control

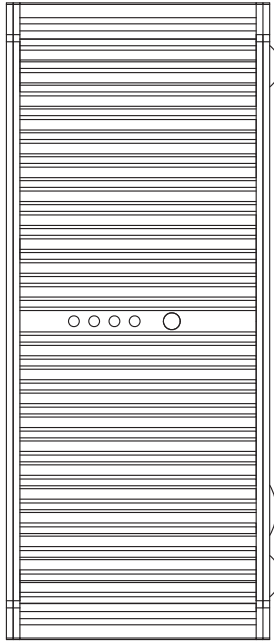


2. Several units control

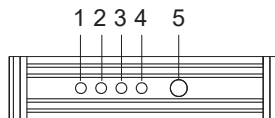


Wire diameter [mm ²]	1,5	2,5	4	6	10	16	25	35	50	70	95	120	150	185	240
Current [A]	13	18	24	32	45	61	85	105	124	160	201	235	275	323	381
Air switich [A]	16	20	25	32	50	63	100	125	125	160	250	250	500	400	400

9. REMOTE CONTROL OPERATION



Temperature controller parts



LED

1 - 4 : Indicator light

Heater LED indicator lights.

There are 4 indicator lights on the temperature controller parts (above image). These 4 lights show the heater's operation level. No 5 is the infrared receiver.

Attention : No 1 indicator light has two color states, "red" and "green".

1. The indicator lights illuminate when the heater is off, even if it's connected to power supply.

Press (ON / OFF button) to turn on the heater.

Please note: The heater by default runs at 100% power.

2. Press (LEVEL button) to adjust heater power.

3. Press (CLOCK button) to adjust the "auto off" timer settings.



Power levels

N° 1 indicator light has two color states, “red” and “green”.

RED color : N° 2 to N° 4 lights show in power settings.

GREEN color : N° 2 to N° 4 lights show in clock settings (time settings).

● ○ ○ ○ **Power level 25%**

● ● ○ ○ **Power level 50%**

● ● ● ○ **Power level 75%**

● ● ● ● **Power level 100%**

○ ○ ○ ○ Operation without timer settings.

○ ● ○ ○ Heater will turn off automatically after 2 hours.

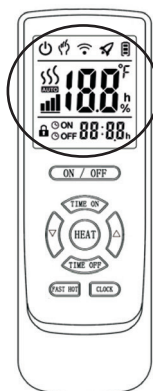
○ ● ● ○ Heater will turn off automatically after 4 hours.

○ ● ● ● Heater will turn off automatically after 8 hours.

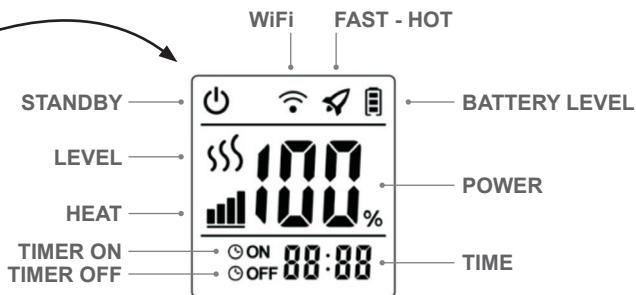
○ Light turned off

● RED light illuminates

○ GREEN light illuminates



Remote controller



Remote controller LED display

“ON / OFF” button

Press the ON / OFF button to turn on / off the heater.

“CLOCK” button

Remote is powered on (as shown in picture 2-1), default time is 00:00 and time setup as following :

- (1) Press the “clock” button once and the hour will flash (as shown in picture 2-2). Press “up” or “down” button to adjust the hour.
- (2) Press the “clock” button again and the minutes will flash (as shown in picture 2-3). Press “up” or “down” button to adjust the minutes.
- (3) Press the “clock” button again and the seconds will flash (as shown in picture 2-4). Press “up” or “down” button to adjust the seconds.
- (4) Press the “clock” button again and all flashing stops and the setup is finalized.



2-1



2-2



2-3



2-4

“LEVEL” button

Press LEVEL button to adjust the power when the heater is on (as shown in picture 3-1).



3-1

“FAST-HOT” button

Press FAST-HOT button to turn on / off the fast-hot function.

Fast-hot function runs the heater at full power for a certain time, to achieve rapid heating.

**“TIMER ON” button**

1. Press the “TIMER ON” button and the symbol “ON” will appear (as shown in picture 5-1).
2. Press “up” or “down” button to adjust the hour (as shown in picture 5-2).
3. Press the “Timer ON” button again and the minutes flash. Press “up” or “down” button to adjust the minutes (as shown in picture 5-3).
4. Press the “Timer ON” button again and the setup finalizes. It will show the current time, for example 16:30 and the “ON” symbol (as shown in picture 5-4).



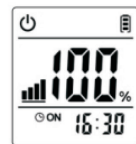
5-1



5-2



5-3



5-4



“TIMER OFF” button

1. Press the “TIMER OFF” button and the symbol “OFF” will appear (as shown in picture 6-1).
2. Press “up” or “down” button to adjust the hour (as shown in picture 6-2).
3. Press the “Timer OFF” button again and the minutes flash. Press “up” or “down” button to adjust the minutes (as shown in picture 6-3).
4. Press the “Timer OFF” button again and the setup finalizes. It will show the current time, for example 16:30 and the “OFF” symbol (as shown in picture 6-4).



6-1



6-2



6-3



6-4

10. IMPORTANT NOTES BEFORE 1st OPERATION

Items to be checked	Situation caused by improper installation
Is the installation stable?	The equipment may fall off or shake.
Is the heat insulation adequate?	Damage to objects in close proximity.
Is the power voltage compatible according to the specifications?	Equipment failure.
Are all wire connections correct?	Equipment failure.
Is the ground wiring properly connected?	Electricity leakage that can cause damage or injury.
Is the wiring correct according to regulations?	Equipment failure or circuit damage.



Due to thermal expansion and contraction, the heater would make noise when turned on or off. It's a normal phenomenon and won't affect the operation or efficiency of the heater.

11. SAFETY NOTES BEFORE OPERATION

1. Do not connect the power supply before the installation is completed.
2. All wire connections are correct and secure.
3. No scattered objects are on the heater's body.
4. Connect power and check if the heater is operating properly.



12. GENERAL SAFETY NOTES

1. DO NOT connect multiple heaters or other appliances on the same socket. Danger of overload.
2. Disconnect the power supply when not in use.
3. If the heater does not operate properly, or the wiring is damaged, DISCONNECT THE POWER SUPPLY IMMEDIATELY and contact an authorized technician.
4. DO NOT install the heater directly below the power outlet.
5. The heater must be installed at least 2.2 m above ground level as the heating panel is extremely hot during operation and **MUST NOT BE TOUCHED**.
6. DO NOT cover the heating panel and/or hang object from the heater.
7. A distance of 150 mm is required between the rear of the heater and the ceiling. Allow 200 mm from the sides of the heater and do not place any object within 1.000 mm directly in front of the heater.
8. When cleaning the heater, disconnect the power supply and don't submerge in liquid.
9. DO NOT install or operate the heater in an area where flammable, explosive or easily ignited materials are present.
10. DO NOT insert metal or any foreign objects into the heater.
11. DO NOT operate the heater when it's surface is wet.

13. BOX CONTENTS

ITEM	QUANTITY
HEATER	1 pc
ADJUSTING BRACKET	1 set
SLIDING BRACKET	2 pc
FASTENER	1 set
USER's MANUAL	1 copy

14. SPECIFICATIONS

MODEL	DIMENSIONS [mm]	PACKAGE SIZE [mm]	NET WEIGHT [Kg]	GROSS WEIGHT [Kg]
AHB 18 B	1.095 x 189 x 67	1.190 x 250 x 145	6,8	8
AHB 24 B	1.595 x 189 x 67	1.690 x 250 x 145	9,4	11,2
AHB 32 B	2.095 x 189 x 67	2.190 x 250 x 145	12,2	14,2



ISO 9001:2015

ISO 14001:2015

ΚΕΝΤΡΙΚΕΣ ΜΟΝΑΔΕΣ ΚΛΙΜΑΤΙΣΜΟΥ
AIR HANDLING UNITS



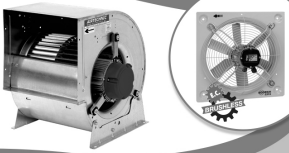
ΕΝΑΛΛΑΚΤΕΣ ΑΕΡΑ - ΑΕΡΑ
HEAT EXCHANGERS



FAN COIL UNITS



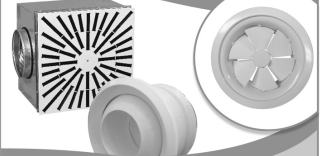
ΑΝΕΜΙΣΤΗΡΕΣ & FAN SECTIONS
FANS & FAN SECTIONS



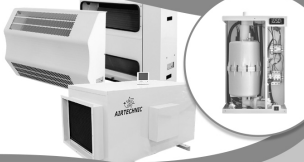
ΔΙΑΦΡΑΓΜΑΤΑ ΠΥΡΚΑΓΙΑΣ
FIRE DAMPERS



ΣΤΟΜΙΑ ΑΕΡΑ
AIR OUTLETS



ΥΓΡΑΝΤΗΡΕΣ ΑΤΜΟΥ - ΑΦΥΓΡΑΝΤΗΡΕΣ
STEAM HUMIDIFIERS - DEHUMIDIFIERS



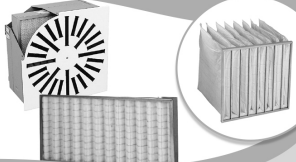
ΚΕΝΤΡΙΚΗ ΗΛΕΚΤΡΙΚΗ ΣΚΟΥΠΑ
CENTRAL VACUUM SYSTEMS



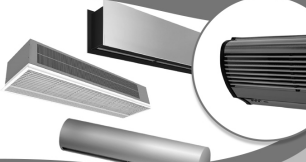
ΑΝΟΞΕΙΑΩΤΕΣ ΚΑΜΙΝΑΔΕΣ
STAINLESS STEEL CHIMNEYS



ΦΙΛΤΡΑ
AIR FILTERS



ΑΕΡΟΚΟΥΡΤΙΝΕΣ
AIR CURTAINS



ΔΡΟΣΙΣΜΟΣ
EVAPORATIVE COOLING



Main Office ATHENS

📍 Paparrigopoulou 10 & Lagada,
12132, Peristeri, Athens
211 - 705.55.00

✉ sales@airtechnic.gr

Factory - THIVA

📍 4th km Thiva - Chalkida Hwy,
32200, Thiva
22620 - 89.006

✉ factory@airtechnic.gr

Factory - THESSALONIKI

📍 End of Meandrou Str.,
57013, Oraiakastro, Thessaloniki
2311 - 82.40.00

✉ thessaloniki@airtechnic.gr