



**AIRTECHNIC**

www.airtechnic.gr

Air-Conditioning & Ventilation Components & Systems

## ● CEILING / AIRDUCT DEHUMIDIFIERS

# DDA

max.  
DEHUMIDIFYING CAPACITY

1.100 lt / 24h



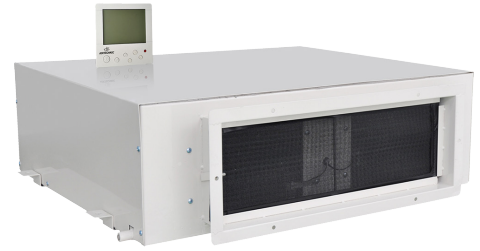
 [www.airtechnic.gr](http://www.airtechnic.gr)

 [www.facebook.com/Airtechnic.gr](https://www.facebook.com/Airtechnic.gr)

 [www.instagram.com/airtechnic.chatzoudis](https://www.instagram.com/airtechnic.chatzoudis)

V. 4

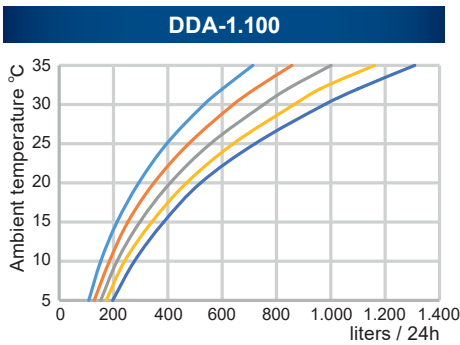
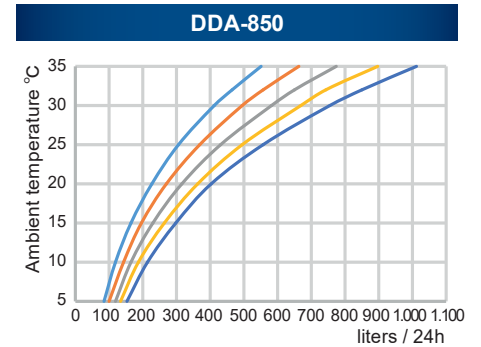
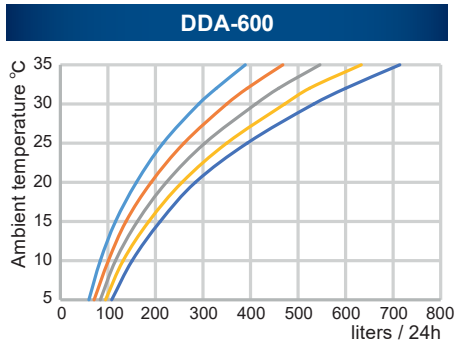
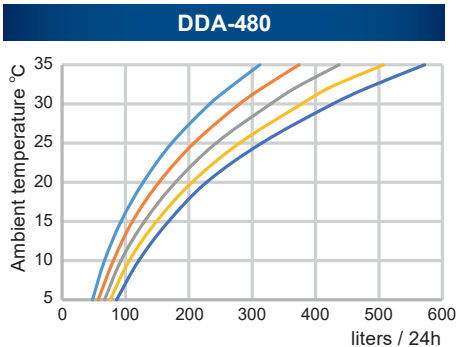
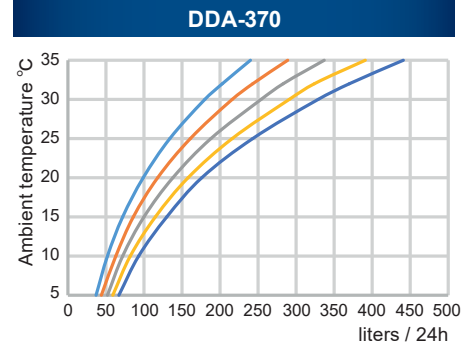
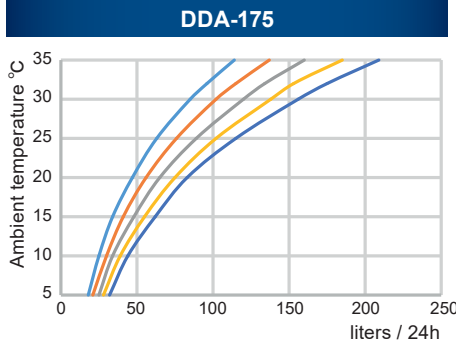
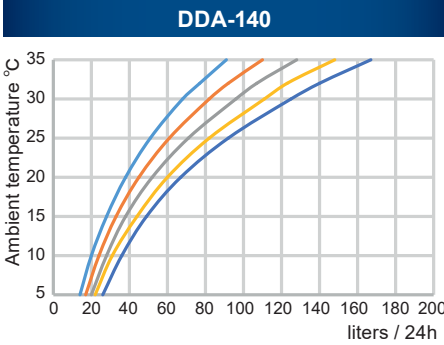
# CEILING / AIRDUCT DEHUMIDIFIERS DDA



**MAX. AVAILABLE PRESSURE DROP 220 Pa**

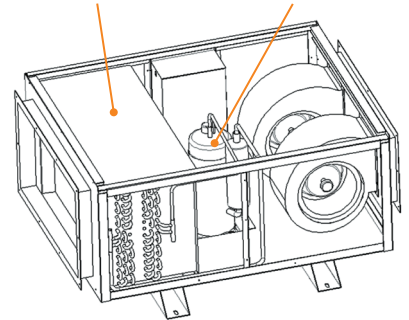
- ◆ Specially designed for installation in homes, parking lots, offices and various industrial and storage areas.
- ◆ They can be installed on **ceilings** or **between air ducts** without taking up floor space.
- ◆ They have **automatic control** from a microcomputer, **timer**, **malfunction alarm** and **easy-to-use control**.
- ◆ They have **automatic defrost function** when the ambient temperature is below 18 °C. Their operating temperature is from 8 °C to 38 °C.
- ◆ They perform **continuous drainage with an external drainage pipe**.

— RH50% — RH60% — RH70% — RH80% — RH90%

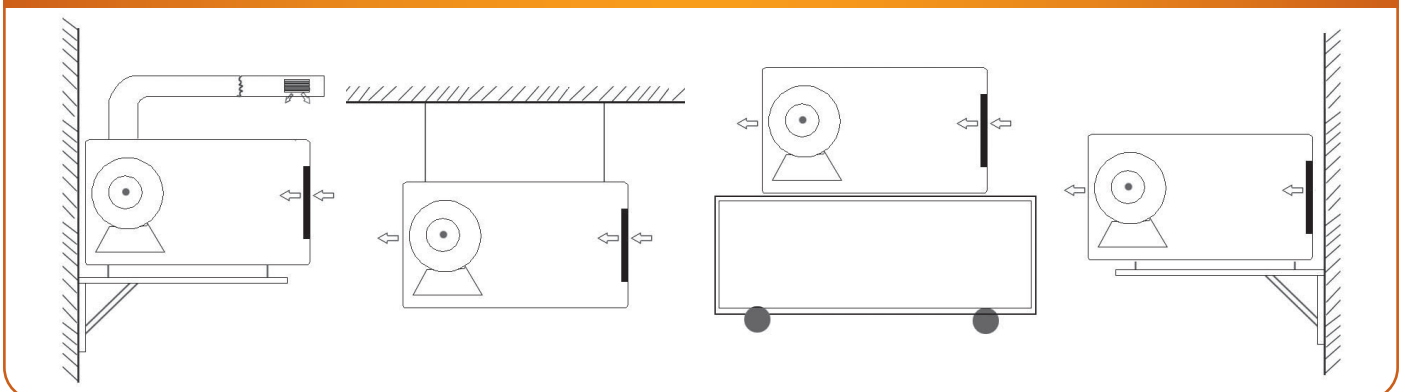


- ⚠ **Attention:** The machine has power supply protection. **In the event of a power failure the machine will not operate**, regardless of the indications shown on the control panel.
- ⚠ **Attention:** Mount the machine firmly with screws on the ceiling and ensure that there is **an angle of inclination of more than 2 degrees to the drain pipe**, for smooth and continuous drainage.

**EVAPORATOR & CONDENSER COMPRESSOR**



## INSTALLATION OPTIONS



Dehumidifying mode

Time indication

Ventilation mode

Humidity indication

Fan speed selection

Fan indication

On / Off button

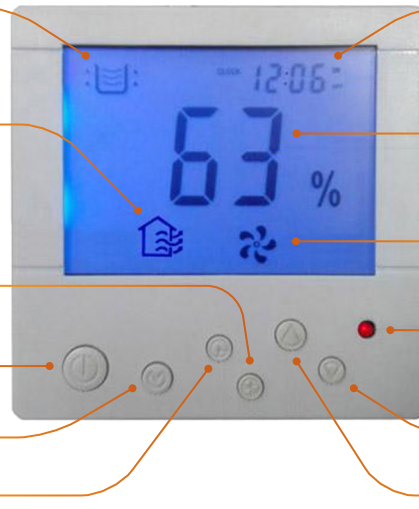
Operation LED

Operating mode selection

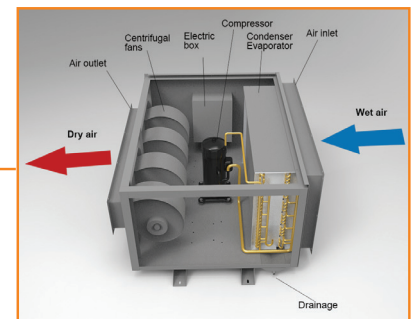
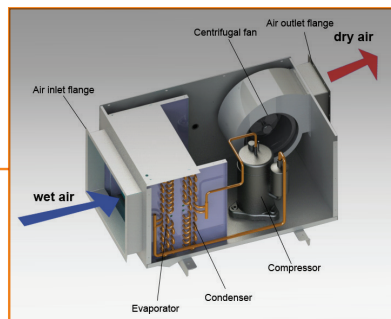
Humidity level reduction

Timer settings

Humidity level increase



- ◆ The machine enters standby mode when it is connected to the power supply and the LCD screen shows the current humidity and the current room temperature.
- ◆ **On / Off** : Press **button (1)** to turn the device on / off.
- ◆ **Operating mode selection** : Press **button (2)** to select dehumidification mode or simple ventilation.
- ◆ **Setting the timer function** : Press **button (3)** key once. "Timed on hours" indication flashes. Press **buttons (5) or (6)** to set the desired activation time (in 1 hour increments). Press **button (3)** a second time. "Timed off hours" indication flashes. Press **buttons (5) or (6)** to set the desired deactivation time (in 1 hour increments). Press **button (3)** a third time to exit the timer settings. You should reset the activation / deactivation time when you do not wish to operate with a timer, as the device saves the settings even if it is turned off.
- ◆ **Fan speed** : Press **button (4)** to select the fan speed.
- ◆ **Humidity settings** : Press **button (5) or (6)** to adjust the percentage % of humidity you desire (in increments of 1% RH). The dehumidifier will start operating when the humidity of the room rises above the desired humidity by 3% and will stop operation when the room humidity drops below the desired humidity by 3%.
- ◆ **Room humidity indication** : Appears on screen when the device is in standby and operating mode. It flashes when adjusting the desired humidity level.
- ◆ **Operating Led** : Blinks when the device has started operation.
- ◆ **Defrost indication** : It flashes when the device starts automatic defrost function.
- ◆ **Activation / deactivation time indication** : It flashes when the device operates with a timer.
- ◆ **Room temperature indication** : Appears on screen when the device is in standby and operating mode.



Dehumidifier		DDA - 140	DDA - 175	DDA - 370	DDA - 480	DDA - 600	DDA - 850	DDA - 1.100
Volume of heated space	m <sup>3</sup>	100 ÷ 130	130 ÷ 150	180 ÷ 280	280 ÷ 350	350 ÷ 500	500 ÷ 600	600 ÷ 800
max Dehumidifying capacity lt / 24h								
32 °C & 90% Relative Humidity	lt / 24h	140	175	370	480	600	850	1.100
30 °C & 80% Relative Humidity		111	138	291	378	472	669	865
Air flow	m <sup>3</sup> /h	900	1.200	2.400	4.000	5.600	8.000	10.000
Static pressure	Pa	180			200			
Noise	dB(A)	≤ 50	≤ 50	≤ 60	≤ 65	≤ 70	≤ 75	≤ 75
Operating voltage	V / Hz	230 / 50			400 / 50			
Nominal Power	kW	1,3	1,8	3,5	5,5	6,5	10,0	12,0
Nominal Current	A	6,0	8,5	5,5	8,5	10,0	15,0	18,3
Connection cable	mm <sup>2</sup>	3 x 2,5	3 x 2,5	5 x 2,5	5 x 2,5	5 x 2,5	5 x 2,5	5 x 4
Safety	A	1 x 16,0	1 x 16,0	3 x 16,0	3 x 16,0	3 x 16,0	3 x 16,0	3 x 20,0
Unit dimensions mm	LENGTH	940		1.105	1.200		1.147	1.147
	WIDTH	630		940	1.350		1.960	1.960
	HEIGHT	480		500	705		676	676
Inlet dim. mm (with flange)	Π1 x Y1	440 x 340		655 x 300	1.175 x 630		1.523 x 630	1.523 x 630
Outlet dim. mm (with flange)	Π1 x Y1	240 x 265		690 x 385	1.135 x 260		1.650 x 260	1.650 x 260
Inlet dim. mm (opening)	Π x Y	400 x 300		595 x 240	1.115 x 570		1.463 x 570	
Outlet dim. mm (opening)	Π x Y	190 x 215		630 x 325	1.075 x 200		1.590 x 200	
Net weight	kg	55	58	130	200	220	300	350



ISO 9001:2015



ISO 14001:2015

Management System  
ISO 14001:2015  
Valid until:  
2024-05-24



www.tuv.com  
ID: 9108660718

### AIR HANDLING UNITS




### HEAT EXCHANGERS




### FAN COIL UNITS



### FANS & FAN SECTIONS




### FIRE DAMPERS



### AIR OUTLETS



### STEAM HUMIDIFIERS - DEHUMIDIFIERS



### CENTRAL VACUUM SYSTEMS



**TUBO**  
THINK CLEAN

### STAINLESS STEEL CHIMNEYS



### AIR FILTERS



### AIR CURTAINS



### EVAPORATIVE COOLING




#### Main Office ATHENS

📍 Paparrigopoulou 10 & Lagada,  
12132, Peristeri, Athens  
211 - 705.55.00  
✉ sales@airtechnic.gr

#### Factory - THIVA

📍 4<sup>th</sup> km Thiva - Chalkida Hwy,  
32200, Thiva  
22620 - 89.006  
✉ factory@airtechnic.gr

#### Factory - THESSALONIKI

📍 End of Meandrou Str.,  
57013, Oraiokastro, Thessaloniki  
2311 - 82.40.00  
✉ thessaloniki@airtechnic.gr