



AIRTECHNIC

www.airtechnic.gr

Air-Conditioning & Ventilation Components & Systems

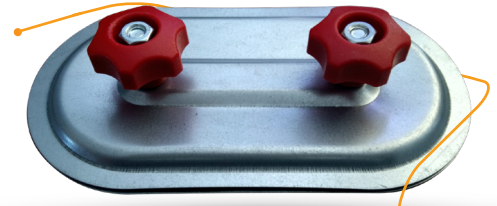
Access Doors

RD / RRD



Access Doors RD

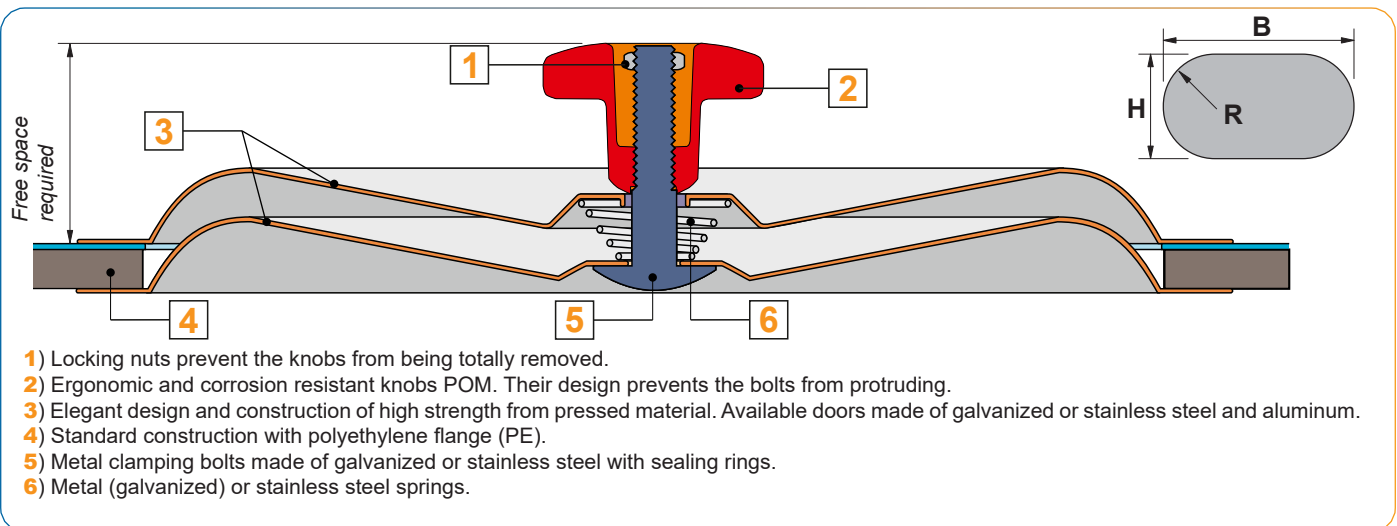
- ◆ For **rectangular** and **circular** ducts.
- ◆ Easy and fast installation.
- ◆ The thin and often corrugated wall of the duct is tied between two fixed covers.
- ◆ Two asteroid-shaped knobs make it easy to operate the door.
- ◆ Available in many sizes and different versions. RD HT type is suitable for temperatures up to + 400 °C.



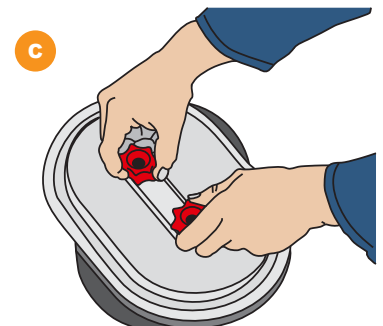
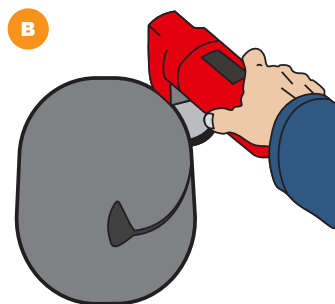
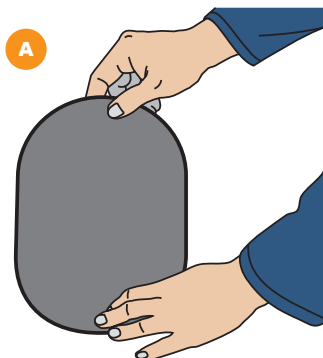
RD



Access Door DIMENSIONS	Free space required [mm]	DIMENSIONS		
		B [mm]	H [mm]	R [mm]
180 x 80	37	180	80	40
200 x 100	35	200	100	50
300 x 150	50	300	150	75
300 x 200	50	300	200	100
400 x 200	50	400	200	100
400 x 300	56	400	300	150
500 x 300	56	500	300	150
500 x 400	67	500	400	200
600 x 400	67	600	400	200
600 x 500	73	600	500	250
700 x 500	73	700	500	250



INSTALLATION



- A)** Apply the self-adhesive template on the duct wall at the desired position.
B) Cut the opening following the edge of the template with a safe border of 3 mm.
C) Turn the knobs till they hit the stops and insert the inner door panel inside the opening at an angle. Then straighten the door, pull it lightly to center it and tighten the knobs.



To avoid injuries, we recommend that you always wear protective gloves when handling and installing access doors.

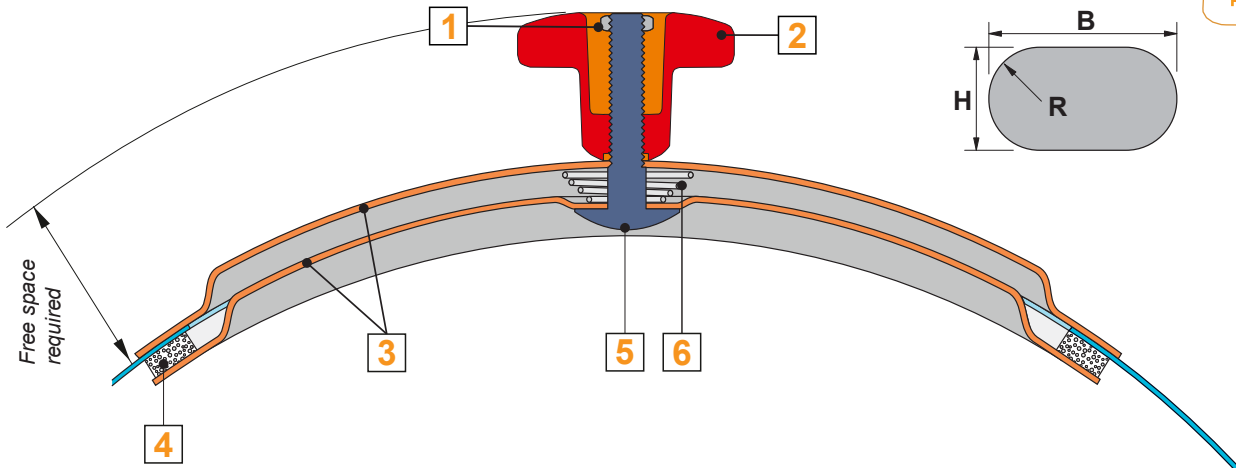
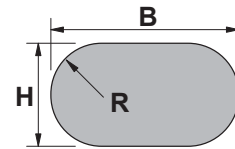


Access Doors RRD

- ◆ For **circular** and **oval** ducts.
- ◆ Easy and fast installation.
- ◆ The thin and often corrugated wall of the duct is tied between two fixed covers.
- ◆ Two asteroid-shaped knobs make it easy to operate the door.
- ◆ RRD HT type is suitable for temperatures up to + 400 °C

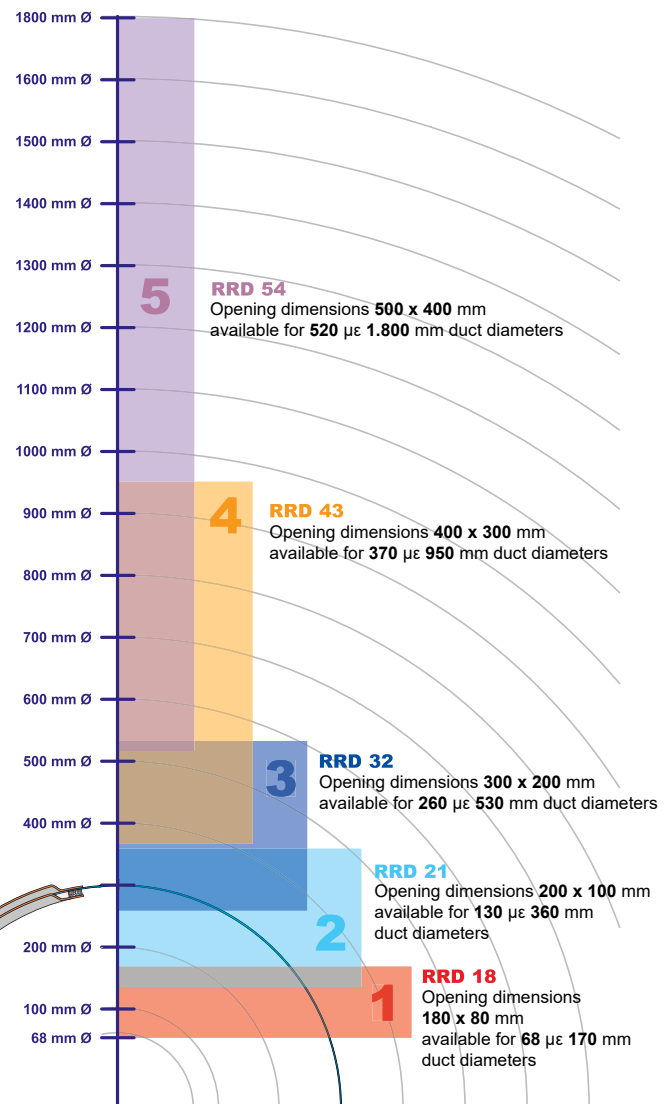


RRD

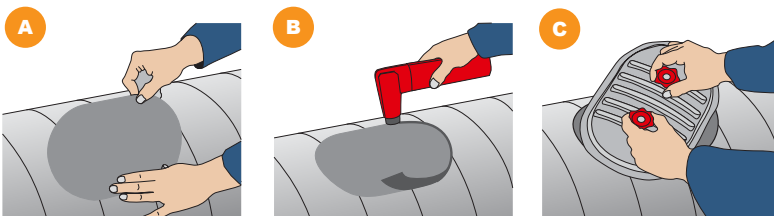


- 1) Locking nuts prevent the knobs from being totally removed.
- 2) Ergonomic and corrosion resistant knobs POM. Their design prevents the bolts from protruding.
- 3) Elegant design and construction of high strength from pressed material. Available doors made of galvanized or stainless steel and aluminum.
- 4) Standard construction with polyethylene flange (PE).
- 5) Metal clamping bolts made of galvanized or stainless steel with sealing rings.
- 6) Metal (galvanized) or stainless steel springs.

Access Door DIMENSIONS	Free space required [mm]	DIMENSIONS		
		B [mm]	H [mm]	R [mm]
180 x 80	36	182	76	38
200 x 100	40	200	97	48,5
300 x 200	55	298	194	97
400 x 300	60	400	290	145
500 x 400	70	496	390	195



INSTALLATION



- A) Apply the self-adhesive template on the duct wall at the desired position.
- B) Cut the opening following the edge of the template with a safe border of 3 mm.
- C) Turn the knobs till they hit the stops and insert the inner door panel inside the opening at an angle. Then straighten the door, pull it lightly to center it and tighten the knobs.



To avoid injuries, we recommend that you always wear protective gloves when handling and installing access doors.



ISO 9001:2015



ISO 14001:2015

Management System
ISO 14001:2015
Valid until:
2024-05-24



www.tuv.com
ID: 9108660718

AIR HANDLING UNITS




HEAT EXCHANGERS




FAN COIL UNITS



FANS & FAN SECTIONS




FIRE DAMPERS



AIR OUTLETS



STEAM HUMIDIFIERS - DEHUMIDIFIERS



CENTRAL VACUUM SYSTEMS



TUBO
THINK CLEAN

STAINLESS STEEL CHIMNEYS



AIR FILTERS



AIR CURTAINS



EVAPORATIVE COOLING




Main Office ATHENS

📍 Michail Karaoli Str. 19,
14343, Nea Chalkidona, Athens
211 - 705.55.00
✉ sales@airtechnic.gr

Factory - THIVA

📍 4th km Thiva - Chalkida Hwy,
32200, Thiva
22620 - 89.006
✉ factory@airtechnic.gr

Factory - THESSALONIKI

📍 End of Meandrou Str.,
57013, Oraiokastro, Thessaloniki
2311 - 82.40.00
✉ thessaloniki@airtechnic.gr