

CJSRX



400 °C/2h belt-driven extractor fan units to operate outside the fire zone, with reaction impellers.



Extremely robust, high performance reaction impeller

Belt-driven 400 °C/2h extractor fan units with reaction impeller fitted with electric motors and a standardised set of pulleys, belts and protectors in accordance with standard ISO-13857.

Fan:

- Sheet steel casing.
- Impeller with reaction blades made of sheet steel.
- Approved as per standard EN 12101-3 with certificate no. 0370-CPR-1578.
- Standardised set of pulleys, belts and protectors in accordance with standard ISO-13857.

- Three-phase 230/400 V - 50 Hz (up to 4 kW) and 400/690 V - 50 Hz (powers higher than 4 kW).
- Maximum temperature of air to be carried: -20 °C +150 °C.

Finish:

- Anti-corrosive galvanised sheet steel.

On request:

- Special windings for different voltages.

Motor:

- IE3 efficiency motors for powers equal to or greater than 0.75 kW except single-phase, 2-speed and 8-pole.
- Class F motors with ball bearings and IP55 protection.

Order code



CJSRX: 400 °C/2h, belt-driven extractor fan units that operate with reaction impellers.

Impeller size

Motor power (HP)

F-400: 400 °C/2h approved

Technical characteristics

Model	Speed (r/min)	Maximum admissible current (A)			Installed power (kW)	Maximum flow rate (m ³ /h)	Approx. weight (kg)	According to ErP
		230 V	400 V	690 V				
CJSRX-315-1 IE3	2095	2.82	1.62		0.75	3430	111	2015
CJSRX-315-1.5 IE3	2375	4.07	2.34		1.10	3885	119	2015
CJSRX-315-2 IE3	2655	5.41	3.11		1.50	4345	124	2015
CJSRX-315-3 IE3	3000	7.93	4.56		2.20	4910	129	2015
CJSRX-355-0.75	1580	2.92	1.69		0.55	3685	126	2015
CJSRX-355-1 IE3	1765	2.82	1.62		0.75	4120	127	2015
CJSRX-355-1.5 IE3	2010	4.07	2.34		1.10	4690	135	2015
CJSRX-355-2 IE3	2225	5.41	3.11		1.50	5190	140	2015
CJSRX-355-3 IE3	2530	7.93	4.56		2.20	5905	144	2015
CJSRX-355-4 IE3	2860	10.70	6.15		3.00	6675	150	2015
CJSRX-400-1 IE3	1465	2.82	1.62		0.75	4855	155	2015
CJSRX-400-1.5 IE3	1665	4.07	2.34		1.10	5515	160	2015

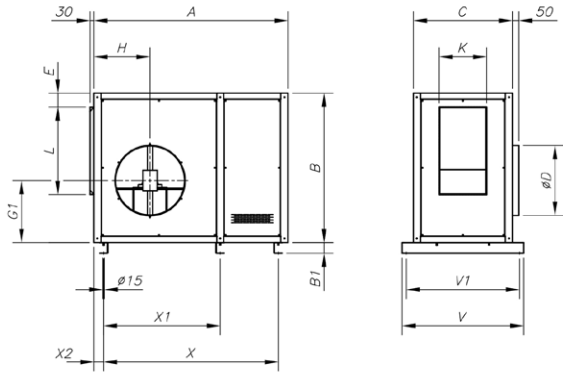
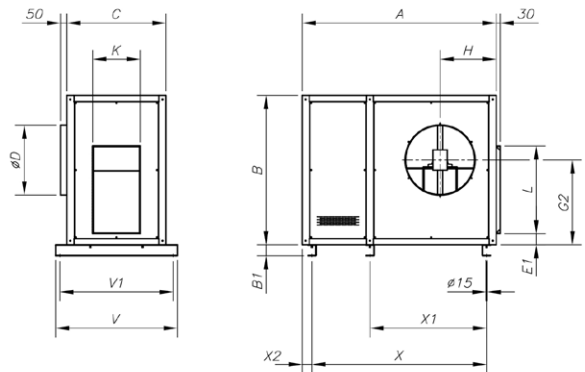
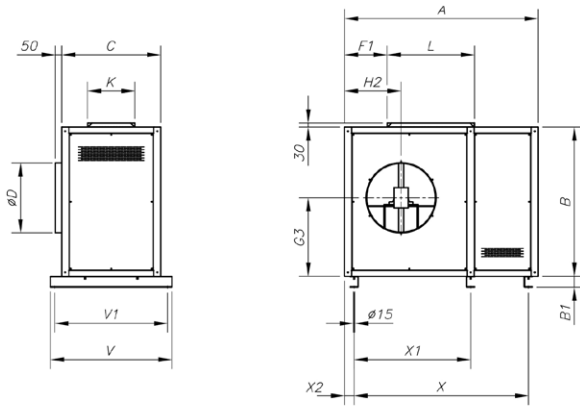
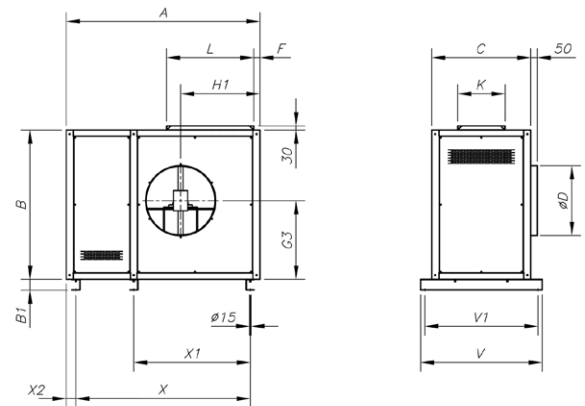
Technical characteristics

Model	Speed (r/min)	Maximum admissible current (A)			Installed power (kW)	Maximum flow rate m ³ /h	Approx. weight (kg)	According to ErP
		230 V	400 V	690 V				
CJSRX-400-2 IE3	1845	5.41	3.11		1.50	6110	171	2015
CJSRX-400-3 IE3	2100	7.93	4.56		2.20	6955	172	2015
CJSRX-400-4 IE3	2370	10.70	6.15		3.00	7850	174	2015
CJSRX-400-5.5 IE3	2610	13.90	8.00		4.00	8645	181	2015
CJSRX-450-1 IE3	1220	2.82	1.62		0.75	5620	186	2015
CJSRX-450-1.5 IE3	1390	4.07	2.34		1.10	6405	189	2015
CJSRX-450-2 IE3	1540	5.41	3.11		1.50	7095	200	2015
CJSRX-450-3 IE3	1750	7.93	4.56		2.20	8065	201	2015
CJSRX-450-4 IE3	1980	10.70	6.15		3.00	9120	203	2015
CJSRX-450-5.5 IE3	2180	13.90	8.00		4.00	10045	210	2015
CJSRX-450-7.5 IE3	2420		10.30	5.97	5.50	11150	253	2015
CJSRX-450-10 IE3	2670		13.90	8.06	7.50	12300	229	2015
CJSRX-500-1.5 IE3	1140	4.07	2.34		1.10	7330	228	2015
CJSRX-500-2 IE3	1270	5.41	3.11		1.50	8165	238	2015
CJSRX-500-3 IE3	1445	7.93	4.56		2.20	9290	240	2015
CJSRX-500-4 IE3	1635	10.70	6.15		3.00	10510	246	2015
CJSRX-500-5.5 IE3	1800	13.90	8.00		4.00	11570	252	2015
CJSRX-500-7.5 IE3	2000		10.30	5.97	5.50	12855	291	2015
CJSRX-500-10 IE3	2220		13.90	8.06	7.50	14270	267	2015
CJSRX-500-15 IE3	2300		20.90	12.10	11.00	14785	321	2015
CJSRX-560-2 IE3	1035	5.41	3.11		1.50	9885	304	2015
CJSRX-560-3 IE3	1185	7.93	4.56		2.20	11360	299	2015
CJSRX-560-4 IE3	1340	10.70	6.15		3.00	12880	306	2015
CJSRX-560-5.5 IE3	1475	13.90	8.00		4.00	14210	312	2015
CJSRX-560-7.5 IE3	1640		10.30	5.97	5.50	15830	351	2015
CJSRX-560-10 IE3	1815		13.90	8.06	7.50	17555	327	2015
CJSRX-560-15 IE3	2065		20.90	12.10	11.00	20010	381	2015
CJSRX-630-3 IE3	1010	7.93	4.56		2.20	12120	339	2015
CJSRX-630-4 IE3	1140	10.70	6.15		3.00	13680	345	2015
CJSRX-630-5.5 IE3	1255	13.90	8.00		4.00	15060	351	2015
CJSRX-630-7.5 IE3	1395		10.30	5.97	5.50	16740	390	2015
CJSRX-630-10 IE3	1550		13.90	8.06	7.50	18600	366	2015
CJSRX-630-15 IE3	1760		20.90	12.10	11.00	21120	420	2015
CJSRX-630-20 IE3	1900		27.90	16.20	15.00	22800	442	2015
CJSRX-710-4 IE3	960	10.70	6.15		3.00	17065	416	2015
CJSRX-710-5.5 IE3	1060	13.90	8.00		4.00	18845	422	2015
CJSRX-710-7.5 IE3	1180		10.30	5.97	5.50	20980	461	2015
CJSRX-710-10 IE3	1305		13.90	8.06	7.50	23200	456	2015
CJSRX-710-15 IE3	1485		20.90	12.10	11.00	26400	491	2015
CJSRX-710-20 IE3	1670		27.90	16.20	15.00	29690	513	2015
CJSRX-710-25 IE3	1750		35.10	20.30	18.50	31110	546	2015



Erp. (Energy Related Products)

Information on Directive 2009/125/EC can be downloaded from the SODECA website or the QuickFan selector programme.

Dimensions mm
CJSRX
Standard supply horizontal impulsion (H) RD 90

Horizontal impulsion on request (H) LG 90

Vertical impulsion on request (V) RD 0

Vertical impulsion on request (V) LG 0


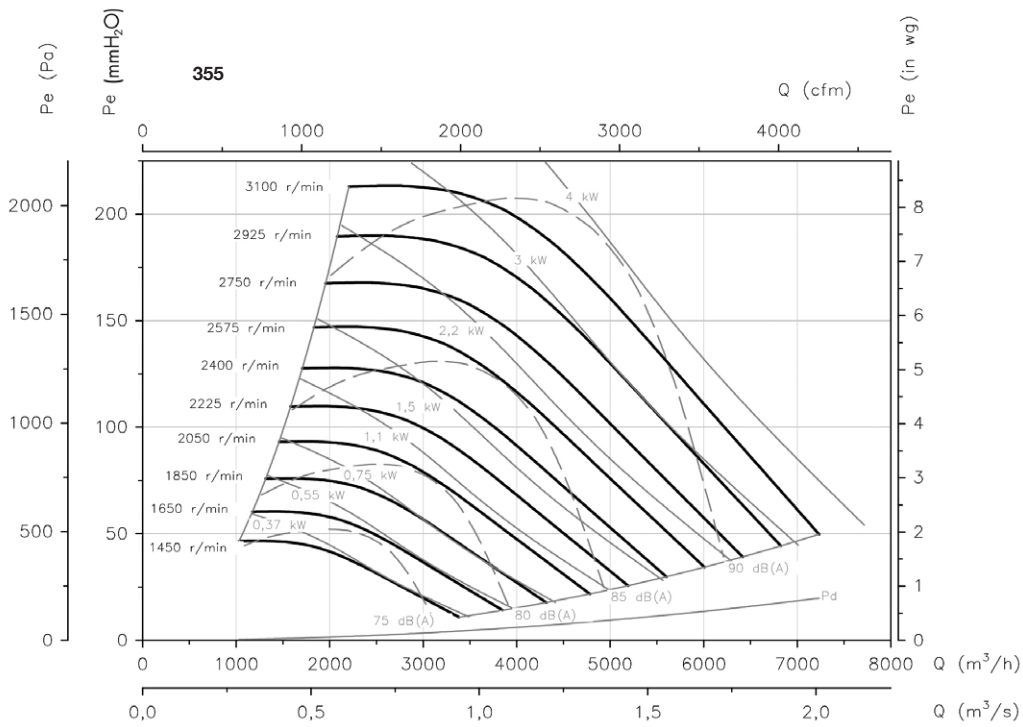
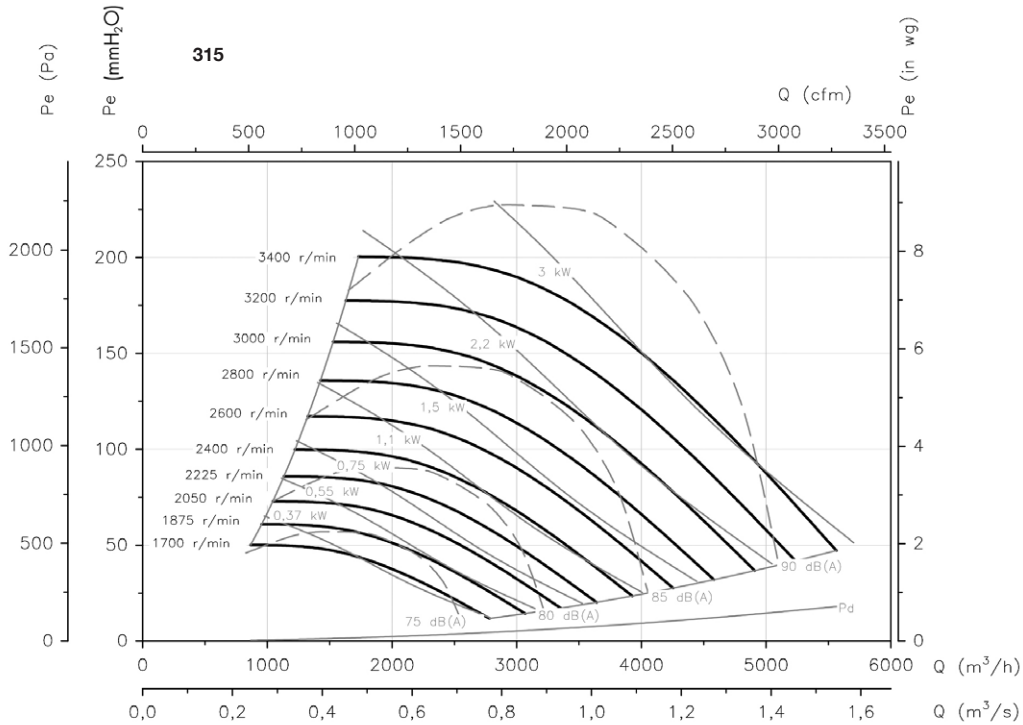
	A	B	B1	C	ØD	E	E1	F	F1	G1	G2	G3	H	H1
CJSRX-315	1170	740	60	600	315	82	84.2	113	281	317.5	423.2	366.2	305	451.5
CJSRX-355	1265	815	60	650	365	85	86.5	112.5	302.5	347.2	470.2	398	338	496
CJSRX-400	1370	900	60	680	400	82	90.2	111	331	386.2	522.2	447.2	359	543
CJSRX-450	1480	990	60	716	448	82	91.2	112.8	360	422.2	577.2	491	383	598
CJSRX-500	1625	1080	60	760	510	80.5	91	111.7	381.3	461.2	629.2	534.2	409	650
CJSRX-560	1760	1195	60	810	580	86.8	94.2	128	426	506.2	696.2	590	462	731
CJSRX-630	1880	1322	60	850	635	85.2	89.6	113.4	455.6	557.7	768.7	648.2	488	792.5
CJSRX-710	2180	1500	80	910	710	103	108.2	100	491	632.2	873.2	737.2	562	865

	H2	L	K	V	V1	X	X1	X2
CJSRX-315	346.3	405	224	760	680	880	-	155
CJSRX-355	373	454	248	810	730	1020	-	152
CJSRX-400	407	508	275	840	760	1120	-	152
CJSRX-450	443	570	309	876	796	1240	-	152
CJSRX-500	482	639	345	920	840	1340	670	152
CJSRX-560	540	716	384	970	890	1490	745	152
CJSRX-630	578.5	802	433	1010	930	820	1610	158
CJSRX-710	624	899	479	1070	990	955	1910	168

Characteristic curves

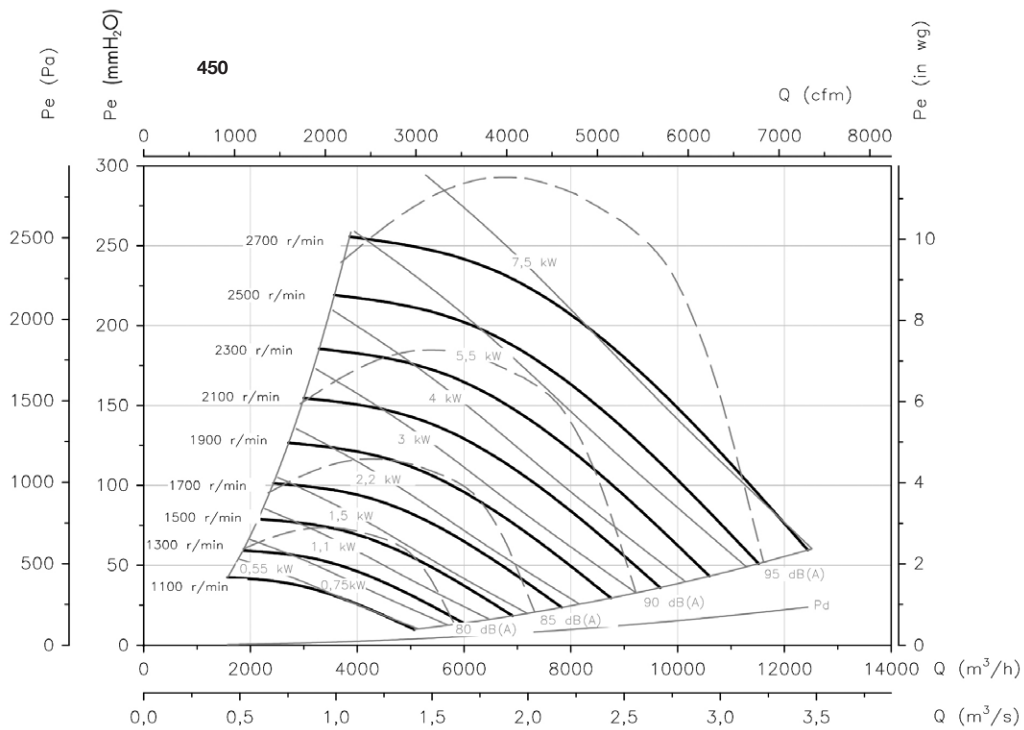
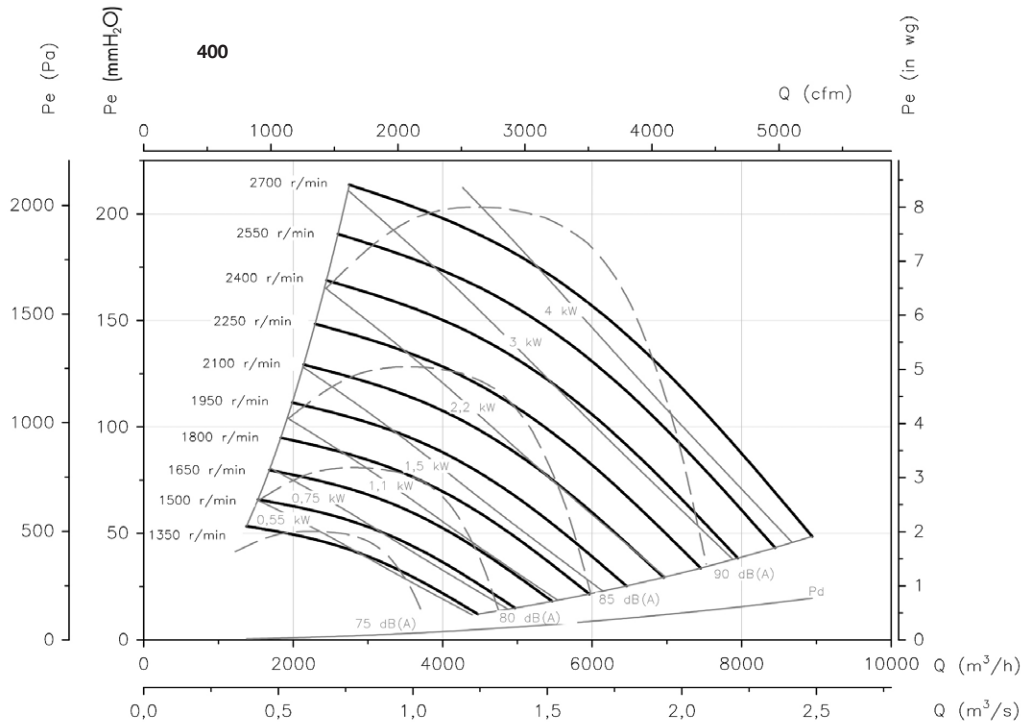
Q= Flow rate in m³/h, m³/s and cfm

Pe= Static pressure in mm H₂O, Pa and inwg



Characteristic curves

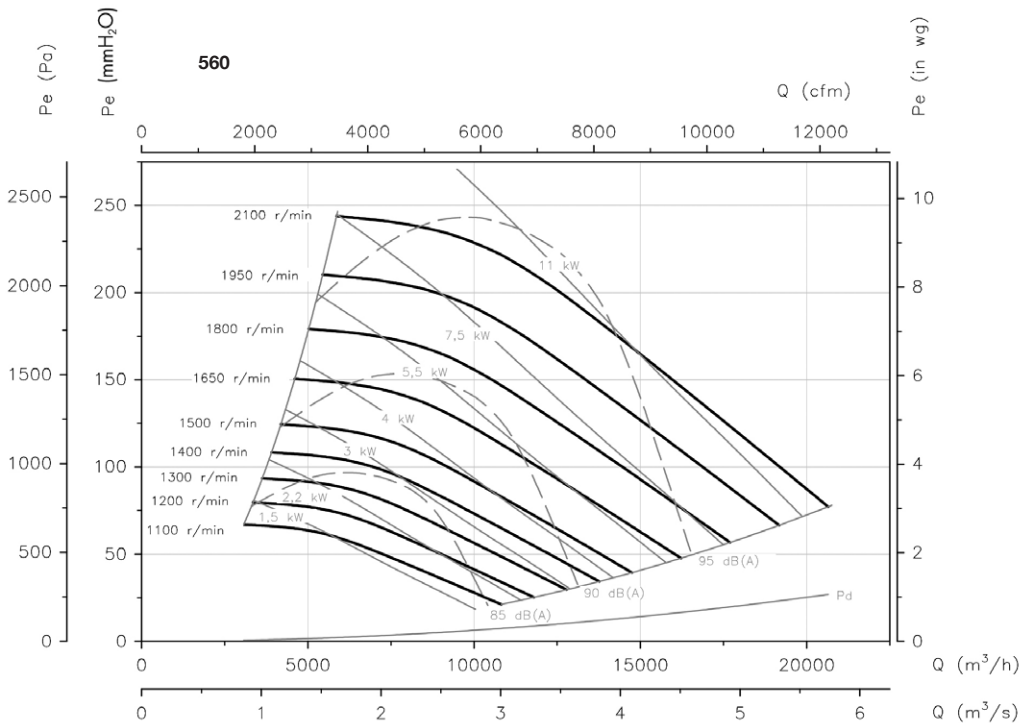
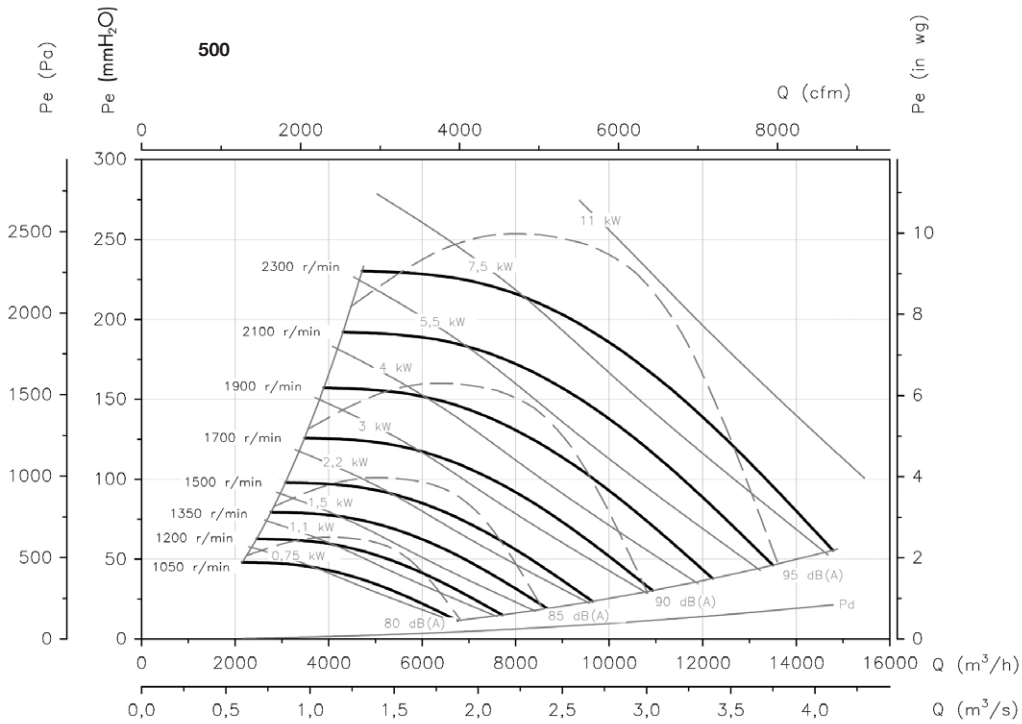
 Q= Flow rate in m³/h, m³/s and cfm

 Pe= Static pressure in mm H₂O, Pa and inwg


Characteristic curves

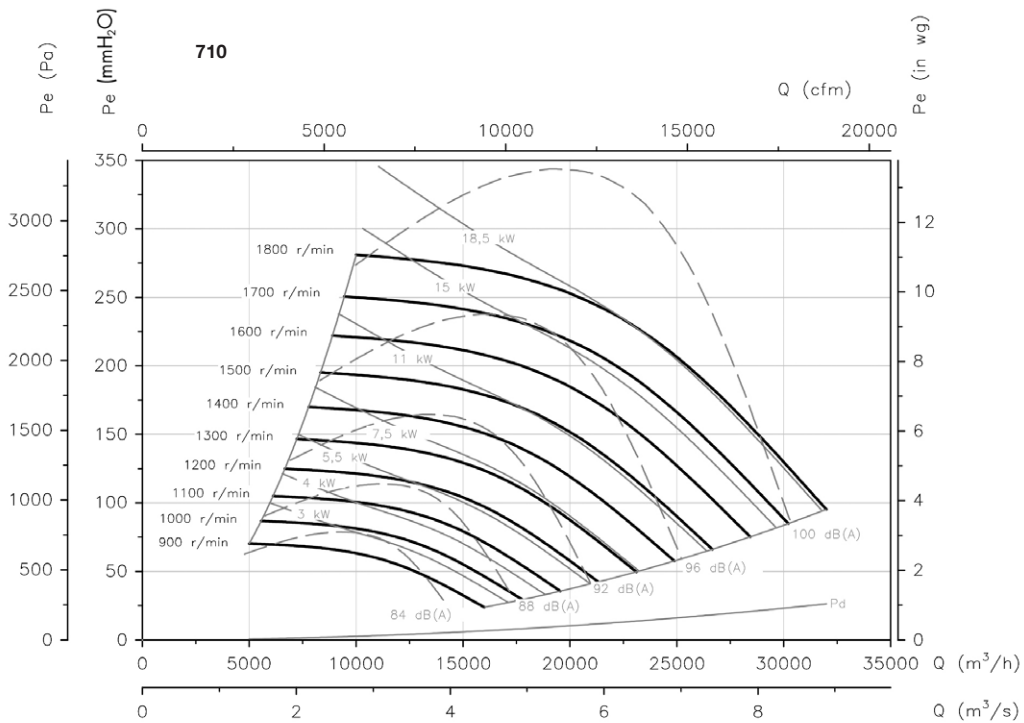
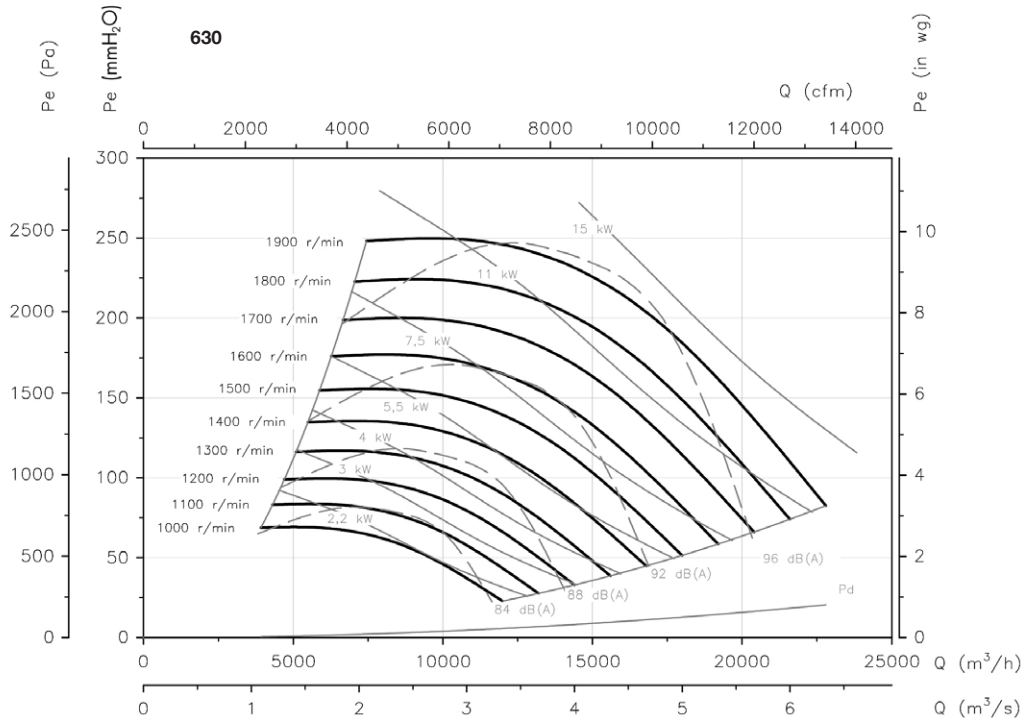
Q= Flow rate in m³/h, m³/s and cfm

Pe= Static pressure in mm H₂O, Pa and inwg



Characteristic curves

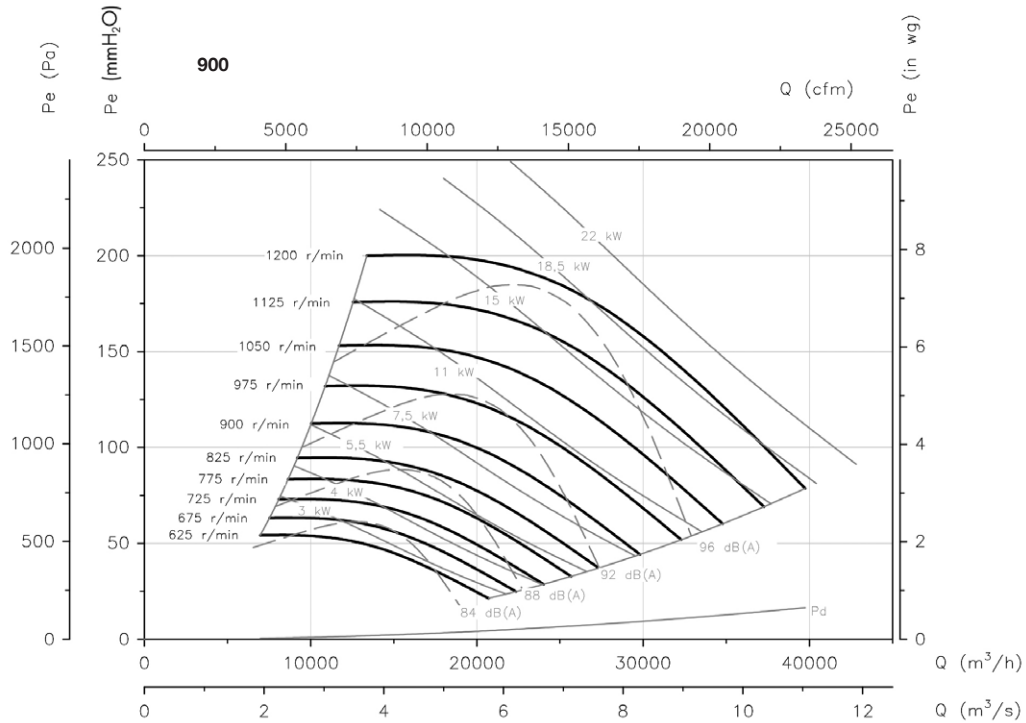
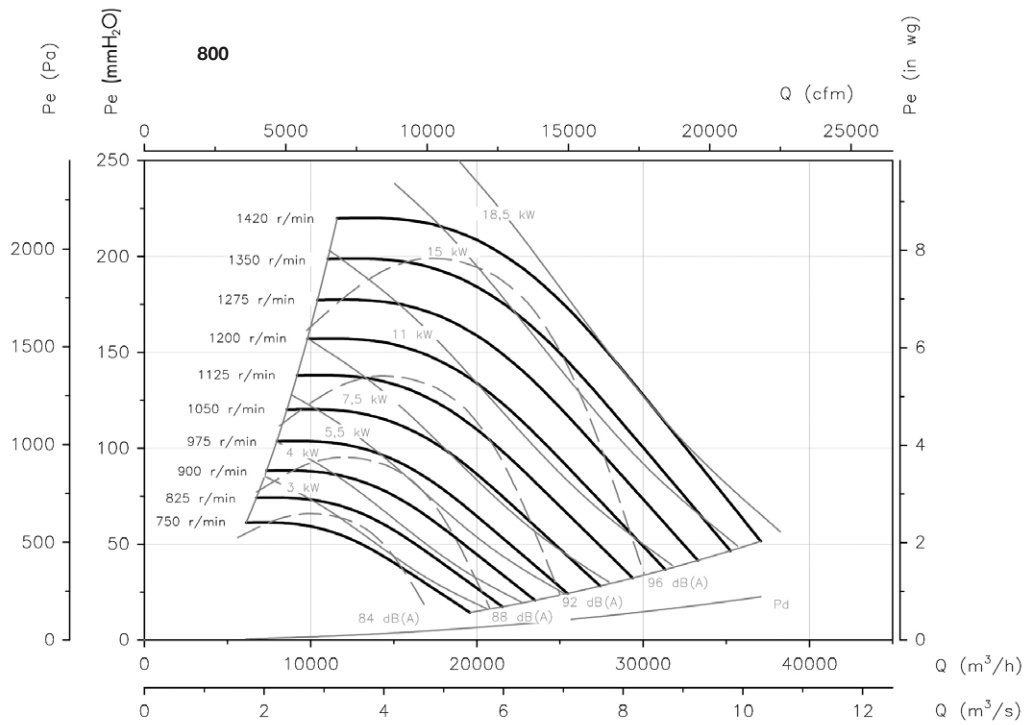
 Q= Flow rate in m³/h, m³/s and cfm

 Pe= Static pressure in mm H₂O, Pa and inwg


Characteristic curves

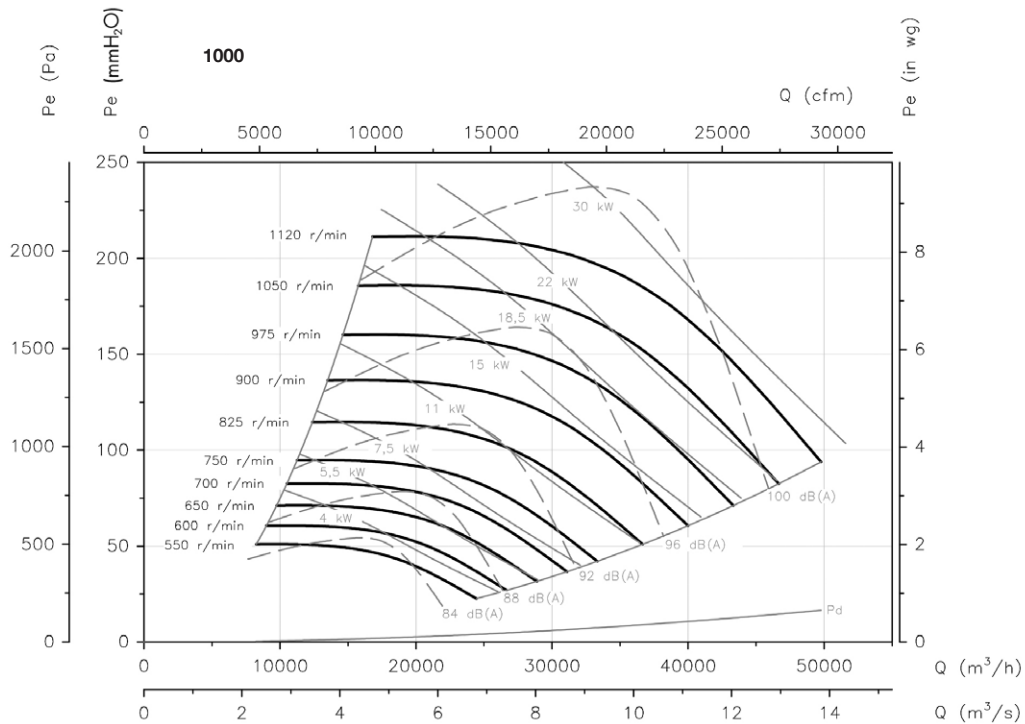
Q= Flow rate in m³/h, m³/s and cfm

Pe= Static pressure in mm H₂O, Pa and inwg



Characteristic curves

 Q= Flow rate in m³/h, m³/s and cfm

 Pe= Static pressure in mm H₂O, Pa and inwg

Accessories

See accessories section

