

# INSTALLATION INSTRUCTION

---

**EH-13 100**  
**EH-13 125**  
**EH-13 160**  
**EH-13 150x150**  
**EH-13 164x164**



Outer ventilation hood with frost protection

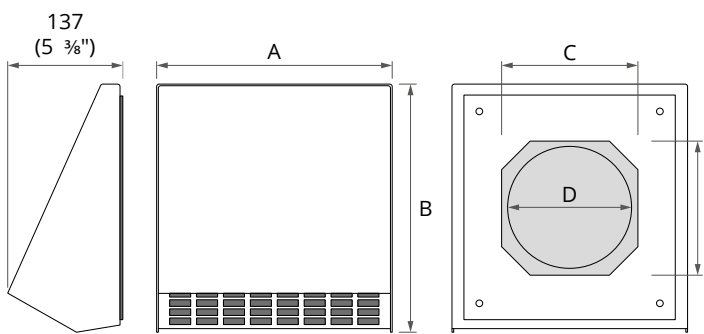
## PURPOSE

The outer ventilation hood is designed to prevent ingress of water and foreign objects into the ventilation equipment from outside and to protect the ventilation duct and equipment inside it from frost.



**THE UNIT SHOULD NOT BE OPERATED BY CHILDREN OR PERSONS WITH REDUCED PHYSICAL, MENTAL, OR SENSORY CAPACITIES, OR THOSE WITHOUT THE APPROPRIATE TRAINING. THE UNIT MUST BE INSTALLED AND CONNECTED ONLY BY PROPERLY QUALIFIED PERSONNEL AFTER THE APPROPRIATE BRIEFING. THE CHOICE OF UNIT INSTALLATION LOCATION MUST PREVENT UNAUTHORIZED ACCESS BY UNATTENDED CHILDREN.**

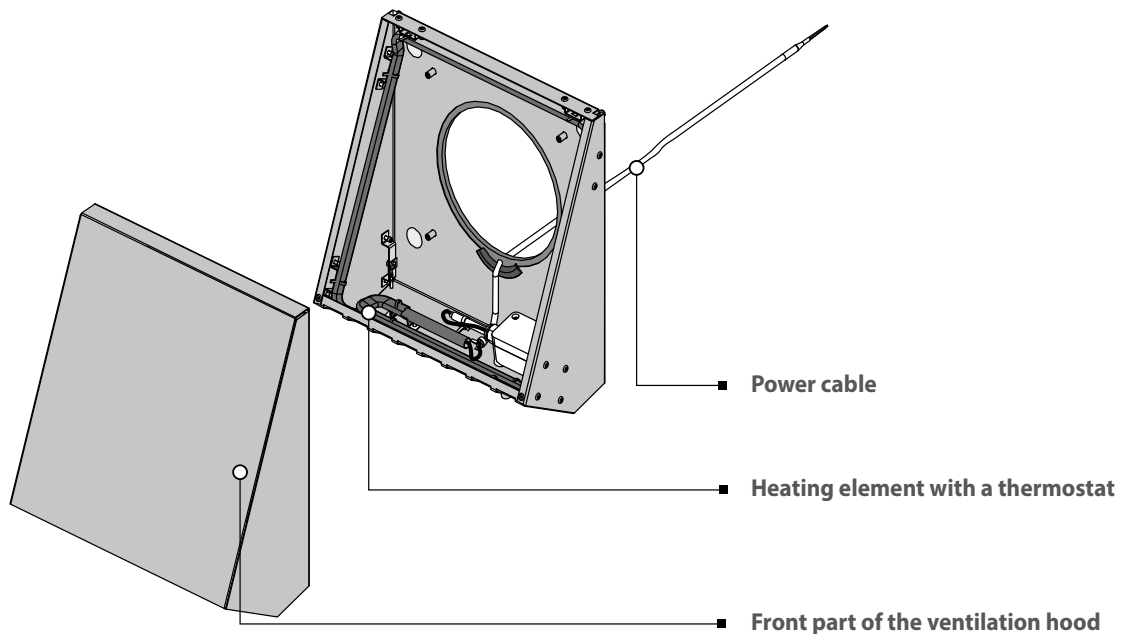
## OVERALL DIMENSIONS



Model	A	B	C	D
EH-13 100	240 mm (9 7/16")	260 mm (10 1/4")	-	112 mm (4 7/16")
EH-13 125	280 mm (11")	300 mm (11 13/16")	-	137 mm (5 3/8")
EH-13 160	280 mm (11")	300 mm (11 13/16")	-	162 mm (6 3/8")
EH-13 150x150	280 mm (11")	300 mm (11 13/16")	136 mm (5 3/8")	-
EH-13 164x164	280 mm (11")	300 mm (11 13/16")	160 mm (6 5/16")	-

## DESIGN AND OPERATING PRINCIPLE

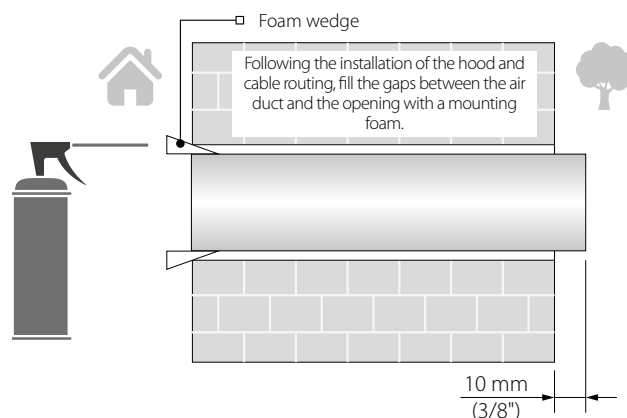
When the outdoor temperature drops below  $-10\text{ }^{\circ}\text{C}$  ( $-14\text{ }^{\circ}\text{F}$ ), the thermostat switches on the heating cable, thus protecting the hood, ventilation duct and the products in it against frost.



## OUTER VENTILATION HOOD MOUNTING

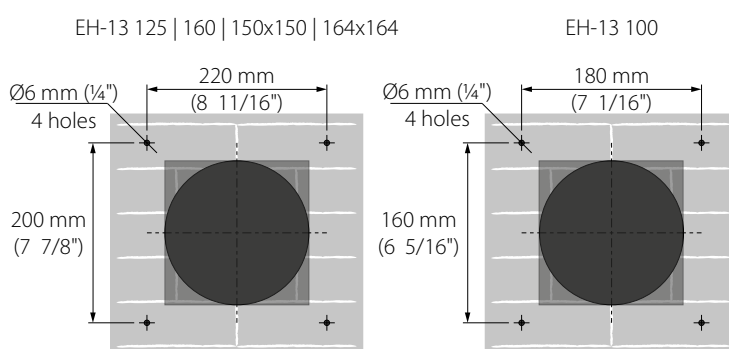
1. Insert the air duct from indoor to protrude from outside on the outer wall surface.  
Cut the air duct excess with a hack saw or with any other suitable tool.

**WARNING! If the mounting place is located at high altitude please refer to a mounting company possessing an appropriate mounting equipment!**

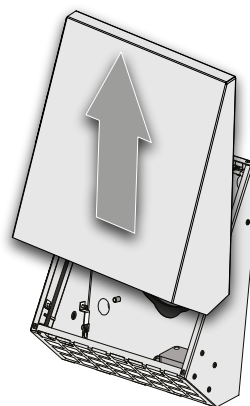


2. Mark the fastening holes for the outer ventilation hood and drill 4 holes, 50 mm (2") deep to suit the expansion anchors (6x40) 6 mm (3/16")x40 mm (1 9/16").

Use the back wall of the ventilation hood to facilitate the marking.



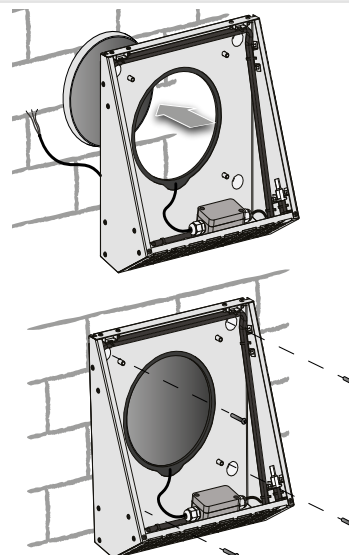
3. Insert the supplied expansion anchors 6 mm (1/4")x40 mm (1 9/16") into the holes.  
Disassemble the outer ventilation hood to enable access to the fastening holes. Remove the ventilation hood front part.



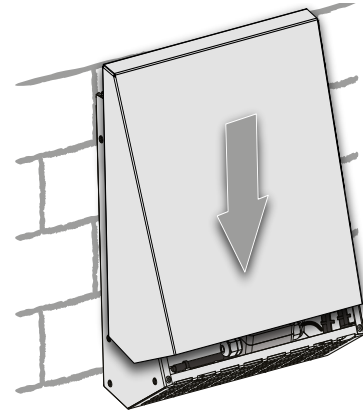
4. Lay the ventilation hood power cord from the outer side of the air duct.

Fix the back part of the ventilation hood on the wall using the supplied screws 4 mm (3/16")x40 mm (1 9/16").

Connect the power cord in the room according to the wiring diagram.



5. Cover the ventilation hood with the front part.



## CONNECTION TO POWER MAINS

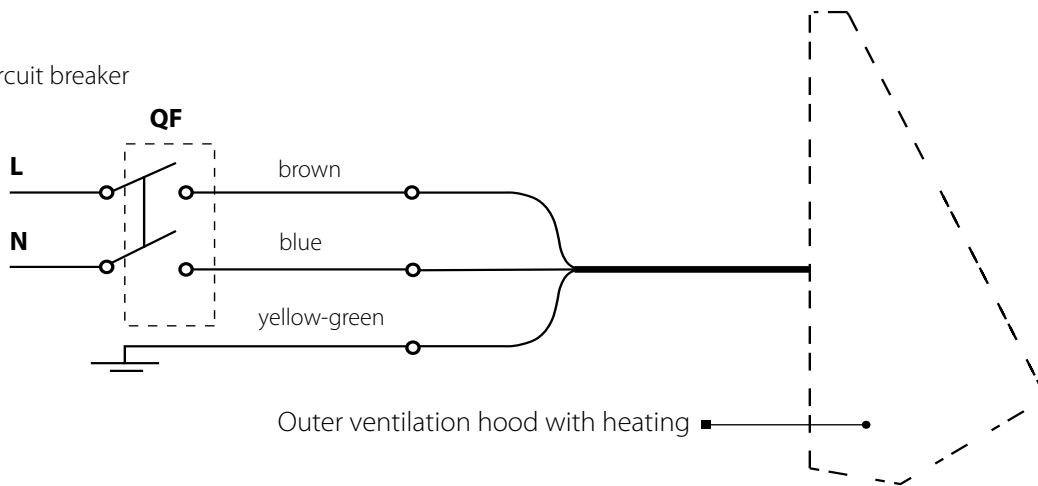
Outer ventilation hood is equipped with frost protection. The power consumption of the hood depends on the temperature conditions and is no more than 60 W (230 V/50 Hz). Sustaining current is 0.26 A.

### TERMINAL DESIGNATIONS ON THE WIRING DIAGRAM:

**L** - phase

**N** - 0

**QF**- automatic circuit breaker



**CAUTION! The hood is approved for use at temperatures from -35 °C (-22 °F) to +50 °C(+122 °F) .  
The manufacturer cannot guarantee correct operation of the hood under conditions other than those specified.**

## MANUFACTURER'S WARRANTY

The warranty period is 12 months from the date of purchase.

The Supplier is particularly not liable for damages arising during transportation, incorrect handling and unapproved modifications or repair work.

### OUTER VENTILATION HOOD WITH FROST PROTECTION

EH-13 is recognized as serviceable

Quality Inspector's Stamp \_\_\_\_\_

Manufacture Date \_\_\_\_\_

**Seller**

Name of Retail Company, Stamp of the Shop \_\_\_\_\_

Purchase Date \_\_\_\_\_









Μιχαήλ Καραολή 19, τκ 143 43, Ν. Χαλκηδόνα, Αθήνα  
Τηλ: 211 - 70.55.500 & 210 - 21.30.051, Fax: 210 - 22.23.283

