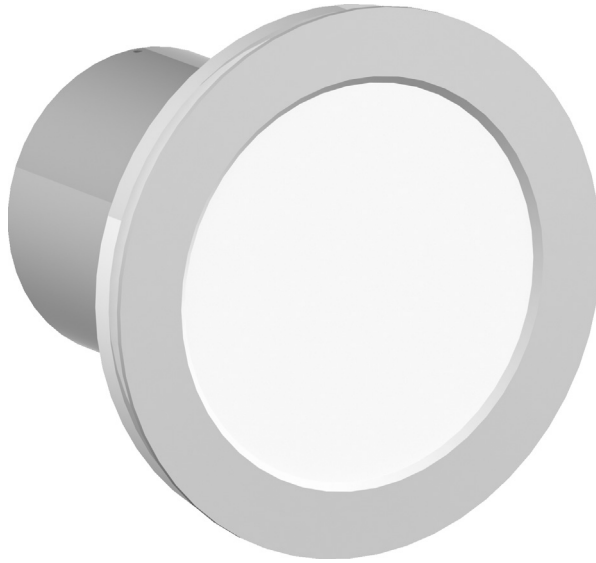


USER'S MANUAL



AXIAL FAN WITH INTEGRATED LIGHT SOURCE

Lumis 100



CONTENTS



Safety requirements	3
Purpose	5
Delivery set	5
Designation key	5
Technical data	6
Unit design and operating principle	6
Mounting and set-up	7
Technical maintenance	9
Transportation and storage regulations	10
Manufacturer's warranty	10
Acceptance certificate	12
Seller information	12
Installation certificate	13
Warranty card	13

This user's manual consisting of the technical details, operating instructions and technical specification covers the installation and mounting of the **Lumis 100 axial fan** with integrated light source (hereinafter referred to as «the fan» or «the unit» as mentioned in the «Safety requirements» and «Manufacturer's warranty» sections as well as in warnings and information blocks).

■ SAFETY REQUIREMENTS

- Read the user's manual carefully prior to installing and operating the unit.
- Fulfill the user's manual requirements as well as the provisions of all the applicable local and national construction, electrical and technical norms and standards.
- The warnings contained in the user's manual must be considered most seriously since they contain vital personal safety information.
- Failure to follow the rules and safety precautions noted in this user's manual may result in an injury or unit damage.
- After a careful reading of the manual, keep it for the entire service life of the unit.
- While transferring the unit control the User's manual must be turned over to the receiving operator.

Symbol legend:

	WARNING!
	DO NOT!

UNIT MOUNTING AND OPERATION SAFETY PRECAUTIONS



- Disconnect the unit from power mains prior to any installation operations.



- Unpack the unit with care.



- Do not lay the power cable of the unit in close proximity to heating equipment.



- While installing the unit follow the safety regulations specific to the use of electric tools.



- Do not lay the power cable of the unit in close proximity to heating equipment.



- Do not operate the unit outside the temperature range stated in the user's manual as well as in aggressive or explosive environments.



- Do not use damaged equipment or cables when connecting the unit to power mains.



- Disconnect the unit from power supply prior to any technical maintenance.



- Do not touch the unit controls with wet hands. Do not carry out the installation and maintenance operations with wet hands.



- Do not wash the unit with water. Protect the electric parts of the unit against ingress of water.



- Do not allow children to operate the unit.



- Use the unit only for its intended purpose.



- Do not store any explosive or highly flammable substances in close proximity to the unit.



- When the unit generates unusual sounds, odour or emits smoke disconnect it from power supply and contact the Seller.



- Do not open the unit during operation.



- Do not direct the air flow produced by the unit towards open flame or ignition sources.



- Do not block the air duct when the unit is switched on.



- In case of continuous operation of the unit periodically check the security of mounting.

■ PURPOSE

The unit described herein is the exhaust axial fan designed for exhaust ventilation and for lighting of small and medium sized residential premises. The fan is designed for use in Ø100 mm air ducts. The fan can be equipped with a back valve to prevent air back drafting when the fan is switched off.



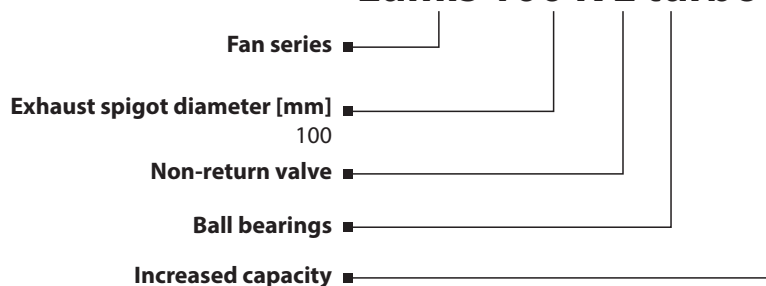
THE UNIT MAY NOT BE OPERATED BY CHILDREN OR PERSONS WITH REDUCED PHYSICAL, MENTAL OR SENSORY CAPACITIES, OR LACKING THE APPROPRIATE TRAINING. THE UNIT MUST BE INSTALLED AND CONNECTED ONLY BY PROPERLY QUALIFIED PERSONNEL AFTER THE APPROPRIATE BRIEFING. THE CHOICE OF UNIT INSTALLATION LOCATION MUST PREVENT UNAUTHORIZED ACCESS BY UNATTENDED CHILDREN.

■ DELIVERY SET

Fan	1 item
User's manual	1 item
Power supply unit	1 item
Fastening kit	1 item
Packing	1 item

■ DESIGNATION KEY

Lumis 100 K L turbo



■ TECHNICAL DATA

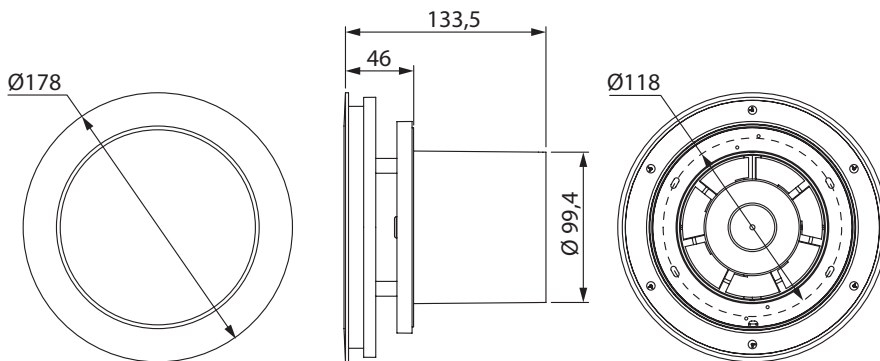
The fan is designed for indoor application and for connection to single-phase AC 220-240 V / 50(60) Hz power mains at the ambient temperature ranging from +1°C up to +45°C.

Ingress protection rating - IP 24.

The fan requires no grounding.

Connected air duct diameter Ø100 mm.

The unit design is constantly being improved, so some models can slightly differ from those ones described in this manual.



■ DESIGN AND OPERATING PRINCIPLE

The casing and the impeller are made of high-quality durable ABS plastic, UV resistant.

The 10 watt LED backlight lamp is integrated in the fan casing.

The impeller design enhances the fan efficiency and prolongs the motor service life.

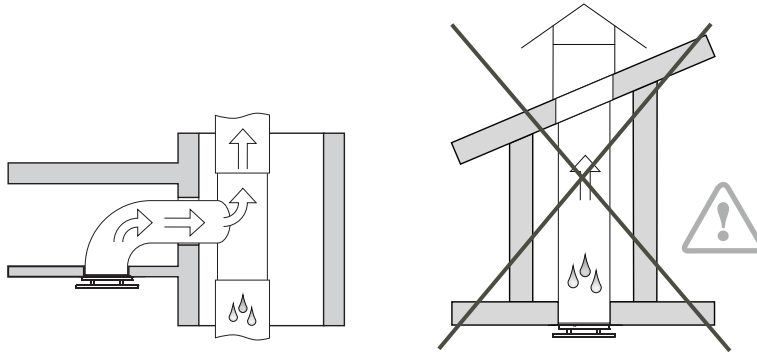
The fan is equipped with an energy-efficient motor with overheating protection. The maintenance-free motor is designed for continuous operation.

Modifications and options:

- **Lumis 100 K** - the fan is equipped with a back valve to prevent air back drafting (at customer's request).
- **Lumis 100 L** - the motor is equipped with ball bearings for longer service life (appr. 40 thousand hours) and fan mounting at any angle. The bearings are maintenance-free and contain enough grease for the entire operating period.
- **Lumis 100 turbo** - high-powered motor.

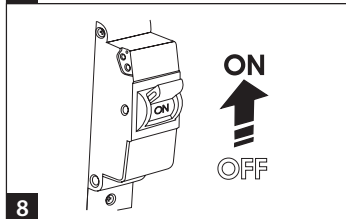
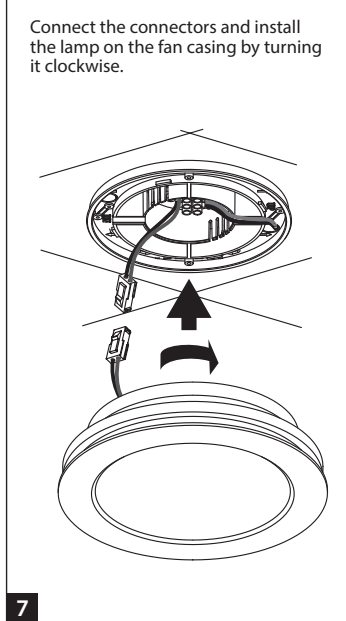
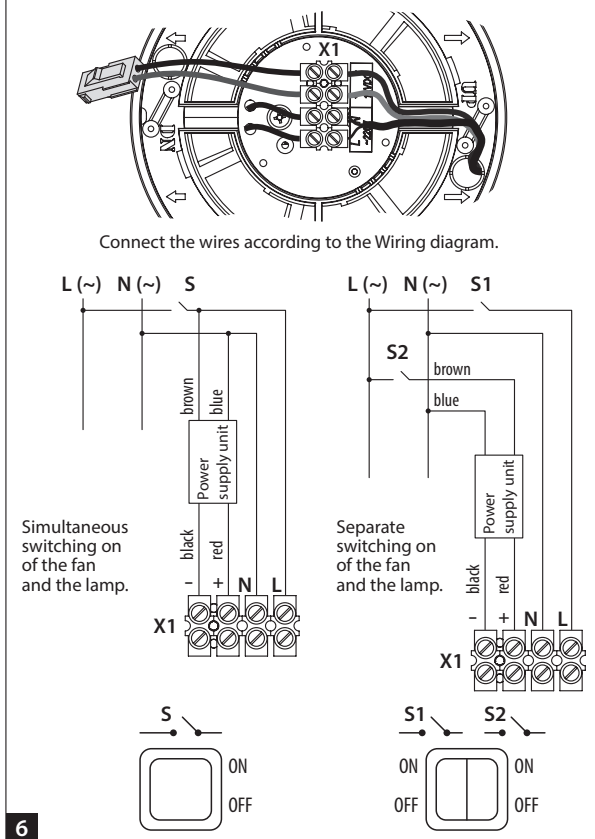
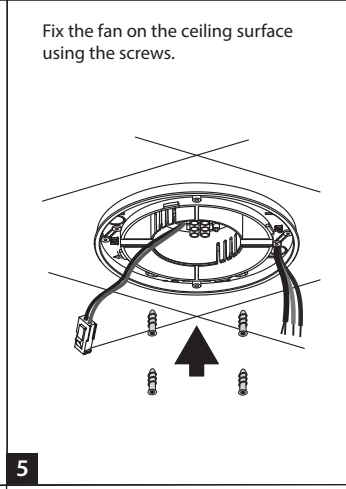
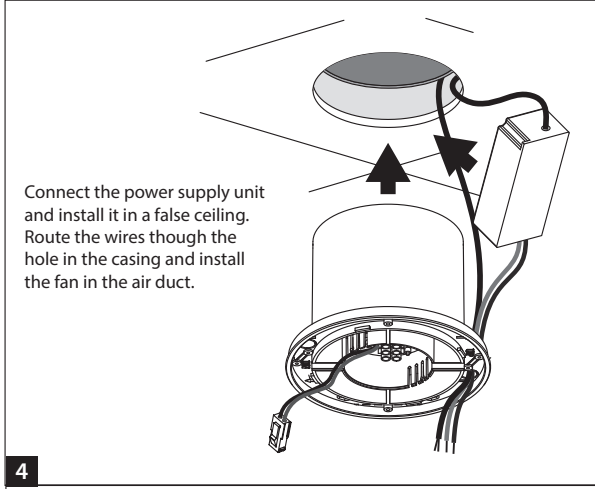
■ **MOUNTING AND SET-UP**

The ventilator is designed for ceiling mounting. The fan is mounted directly into the ventilation shaft. Flexible duct connection is recommended in case of the remote ventilation shaft location. The air duct is connected to the fan exhaust flange through a clamp.

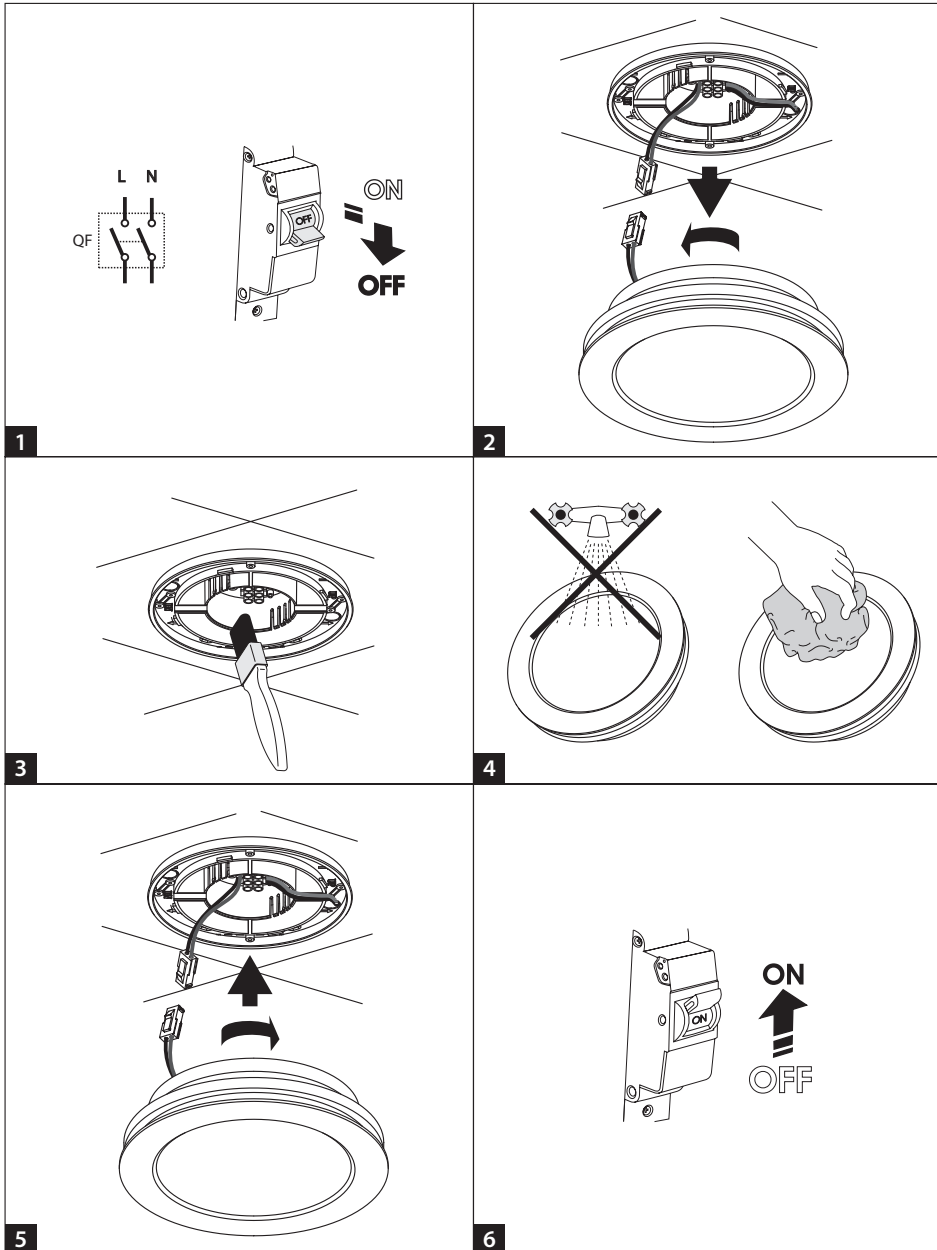


Fan mounting and connection.

<p>1</p>	<p>2</p> <p>Install the air duct. Route the wires and prepare a $\varnothing 100$ mm hole.</p>	<p>3</p> <p>Make a hole in the fan casing for routing the power wires.</p>
----------	---	--



■ TECHNICAL MAINTENANCE



■ TRANSPORTATION AND STORAGE REGULATIONS

Store the unit in the manufacturer's original packing box in a dry closed ventilated premise with temperature range from +5 °C to + 40 °C.

Storage environment must not contain aggressive vapours and chemical mixtures provoking corrosion, insulation and sealing deformation.

Use hoist machinery for handling and transportation to prevent possible mechanical damages of the unit.

Follow the applicable moving regulations specific to the particular cargo type while loading and unloading.

The unit can be carried in the original packing by any mode of transport provided proper protection against precipitation and mechanical damage.

Avoid sharp blows, scratches or rough handling during loading and unloading.

■ MANUFACTURER'S WARRANTY

The manufacturer hereby warrants normal operation of the unit for 60 months after the retail sale date provided the user's observance of the transportation, storage, mounting and operation regulations.

Should any malfunctions occur in the course of the unit operation through the Manufacturer's fault during the guaranteed period of operation the user is entitled to elimination of faults by the manufacturer by means of warranty repair at the factory free of charge.

The warranty repair shall include work specific to elimination of faults in the unit operation to ensure its intended use by the user within the guaranteed period of operation. The faults are eliminated by means of replacement or repair of the unit components or a specific part of such unit component.

The warranty repair does not include:

- routine technical maintenance
- unit installation / dismantling
- unit setup

To benefit from warranty repair the user must provide the unit, the user's manual with the purchase date stamp and the payment document certifying the purchase. The unit model must comply with the one stated in the user's manual.

Contact the Seller for warranty service.

The manufacturer's warranty does not apply to the following cases:

- User's failure to submit the unit with the entire delivery package as stated in the user's manual including submission with missing component parts previously dismantled by the user.
- Mismatch of the unit model and the brand name with the information stated on the unit packing and in the user's manual.
- User's failure to ensure timely technical maintenance of the unit.
- External damage to the unit casing (excluding external modifications as required for installation) and internal components caused by the user.
- Redesign or engineering changes to the unit.
- Replacement and use of any assemblies, parts and components not approved by the manufacturer.
- Unit misuse.
- User's violation of the unit installation regulations.
- User's violation of the unit control regulations.
- unit connection to the power mains with a voltage different from the one stated in the user's manual;
- Unit breakdown due to voltage surges in the power mains.
- Discretionary repair of the unit by the user.
- Unit repair by any persons without the manufacturer's authorization.
- Expiration of the unit warranty period.
- User's violation of the unit transportation regulations.
- User's violation of the unit storage regulations.
- Wrongful actions against the unit committed by third parties.
- Unit breakdown due to circumstances of insuperable force (fire, flood, earthquake, war, hostilities of any kind, blockades).
- Missing seals if provided by the user's manual.
- Failure to submit the user's manual with the unit purchase date stamp.
- Missing payment document certifying the unit purchase.



FOLLOWING THE REGULATIONS STIPULATED HEREIN WILL ENSURE A LONG AND TROUBLE-FREE OPERATION OF THE UNIT.



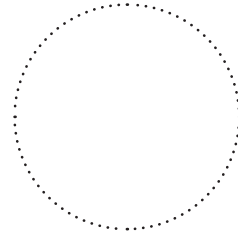
USERS' CLAIMS SHALL BE A SUBJECT TO REVIEW ONLY UPON PRESENTATION OF THE UNIT, THE PAYMENT DOCUMENT AND THE USER'S MANUAL WITH THE SALE DATE STAMP.

■ ACCEPTANCE CERTIFICATE

Unit Type	Axial fan with integrated light source
Model	Lumis 100 _____
Serial Number	
Manufacture Date	
<p>is compliant with the technical specifications and is hereby declared ready for service. We hereby declare that the product complies with the essential protection requirements of Electromagnetic Council Directive 2004/108/EC, 89/336/EEC and Low Voltage Directive 2006/95/EC, 73/23/EEC and CE-marking Directive 93/68/EEC on the approximation of the laws of the Member States relating to electromagnetic compatibility.</p> <p>This certificate is issued following test carried out on samples of the product referred to above.</p>	
Quality Inspector's Stamp	

■ SELLER INFORMATION

Seller	
Address	
Phone Number	
E-mail	
Purchase Date	



Seller's Stamp

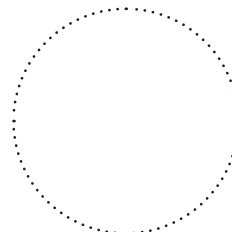
This is to certify acceptance of the complete unit delivery with the user's manual. The warranty terms are acknowledged and accepted.

Customer's Signature	
-----------------------------	--

■ **INSTALLATION CERTIFICATE**

The unit has been connected to power mains pursuant to the requirements stated in the present user's manual.

Company Name	
Address	
Phone Number	
Installation Technician's Full Name	
Installation Date:	Signature:



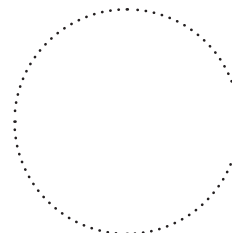
Installation technician's company seal

The unit has been installed in accordance with the provisions of all the applicable local and national construction, electrical and technical codes and standards. The unit operates normally as intended by the manufacturer.

Signature:

■ **WARRANTY CARD**

Unit Type	Axial fan with integrated light source
Model	Lumis 100 _____
Serial Number	
Manufacture Date	
Purchase Date	
Warranty Period	
Seller	



Seller's Stamp





Μιχαήλ Καραολή 19, τκ 143 43, Ν. Χαλκηδόνα, Αθήνα
Τηλ: 211 - 70.55.500 & 210 - 21.30.051, Fax: 210 - 22.23.283

V01-(Lumis)EN-01