

SPEED SWITCHES FOR MULTI-SPEED FANS

**Sensor speed switch
SP3-1**



Application

Applied in ventilation systems for turning the fans on/off and speed switch of multi-speed fan motors.

Design and control

The casing is made of plastic and is equipped with a sensor panel made of hardened glass. The sensor panel has three speed switch buttons. Press a respective speed button to activate a required speed of a connected ventilation unit.

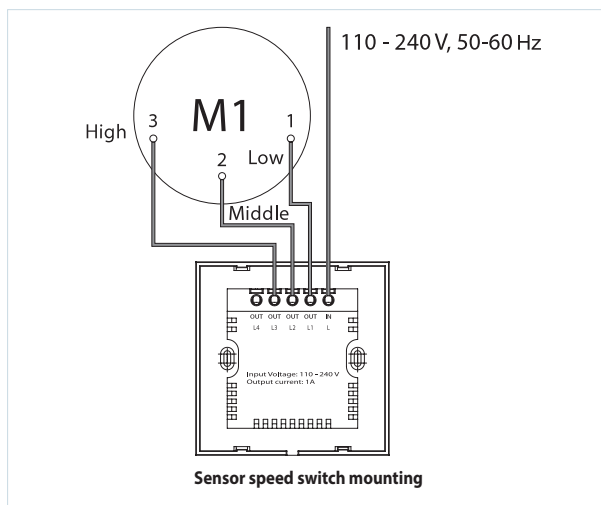
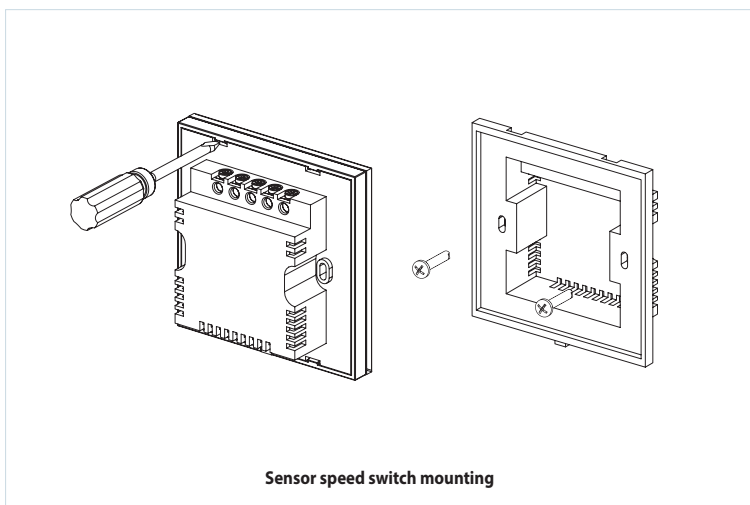
Press an activated speed button to turn the ventilation unit off. The activated speed button glows blue.

Mounting

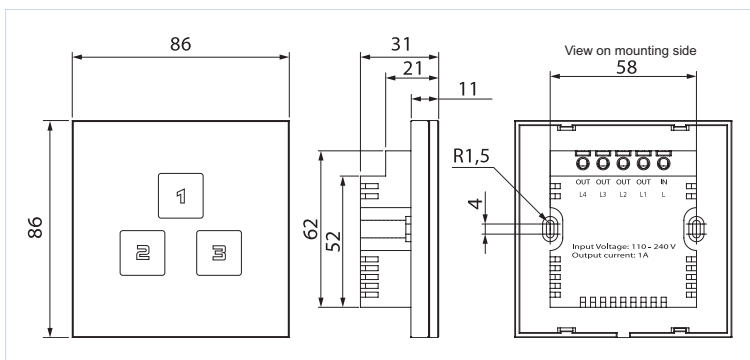
The speed switch is designed for indoor mounting into special surface mounting box MKN-5 (upon special order) or flush mounting junction box MKV-1 (included).

Technical data

	SP3-1
Voltage [V/50 (60) Hz]	110-240
Maximum load current [A]	1
Cable cross section	0.35 up to 1 mm ²
Temperature range [°C]	from -10 up to +45
Humidity range	5 % up to 80 % (no condensation)
Service life	100 000 switching operations
Protection rating	IP30
Mass [kg]	0.138



Overall dimensions:



SURFACE MOUNTING JUNCTION BOX

