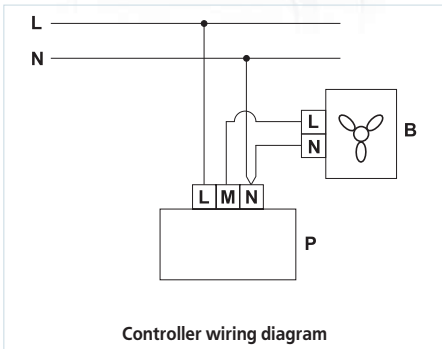


THYRISTOR SPEED CONTROLLERS

Speed controller
RS-1-400



■ **Applications**

Applied in ventilation systems for speed switching ON/OFF and speed control of the single phase power-controlled motors. Several fans can be controlled synchronously in case their total current does not exceed the maximum permissible values for the controller current.

■ **Design and control**

The controller casing is made of plastic. The controller is featured with high efficiency and control accuracy. Switching to the maximum speed is effected by means of regulating the control knob. Regulating starts from

the minimum to the maximum voltage value for the fan stable running. The minimum speed is set by means of the potentiometer at PCB.

■ **Protection**

The controller incorporate a removable thermal fuse for motor overload protection and transient filter.

■ **Mounting**

The controller is designed for indoor mounting into special surface mounting (MKN-3) or flush mounting (MKV-4) junction box (under separate order) or into standard round electric junction boxes.

Technical data:

	RS-1-400
Voltage [V / 50/60 Hz]	1~ 230
Rated current [A]	1.8
Overall dimensions LxWxH [mm]	78x78x63
Maximum ambient temperature [°C]	35
Protection rating	IP 40
Weight [kg]	0.11

MOUNTING JUNCTION BOX

