

SMART DX-DA | Heat Pump Energy Saving Air Curtains For DAIKIN Outdoor Units (1:1)



Characteristics



- Energy saving heat pump air curtains: Up to 70% reduction in costs and CO₂ emissions (heating mode).
- Stylish, discreet and contemporary design adaptive to any interior architecture.
- Smooth front panel can be customized with logotypes, lighting, lettering or safety and informative signals, according to the client requirements.
- Self-supporting steel rounded casing with edgeless plastic side covers, finished in structural epoxy-polyester painting white colour RAL9016 as standard. Other colours are available on request.
- Hidden top air entrance, avoiding the inside view of the unit and the inlet grille.
- Anodized aluminium outlet vanes, airfoil shaped, adjustable from 0 to 15° each side.
- EC Double-inlet centrifugal fans driven by an external rotor motor and low noise level, with very low consumption efficiency fans.
- Includes direct expansion coil with sensors. Optional condensate water pump.
- CS-5DX-NE Plug&Play control with 5 speeds and telephone cable 7m included.
- Requires DAIKIN DX Interface KIT adapted for air curtain and programmable control, please consult.
- Ready to connect to DAIKIN Inverter outdoor heat pump unit (R410A) and expansion valve not included, the customer should purchase it.

Specifications

Model	Airflow m ³ /h	Outdoor Unit 230Vx1	Outdoor Unit 400Vx3	Daikin Direct Expansion Valve	Power Fan 230V-50Hz kW	Current Fan 230V-50Hz A	Noise Level (5 m) dB(A)	Weight kg
SMART ECM 1500 DX13-DA	2460	ERQ 100 AV1	-	EKEXV 100	0,213	1,86	55	58
SMART ECM 2000 DX16-DA	3280	ERQ 125 AV1	ERQ 125 AW1	EKEXV 125	0,284	2,48	56	73
SMART ECM 2000 DX18-DA	3280	ERQ 140 AV1	-	EKEXV 140	0,284	2,48	56	73
SMART ECM 2500 DX24-DA	4100	-	ERQ 200 AW1	EKEXV 200	0,355	3,10	57	79
SMART ECM 3000 DX25-DA	4920	-	ERQ 200 AW1	EKEXV 200	0,426	3,72	58	91
SMART ECG 1000 DX10-DA	2190	ERQ 100 AV1	-	EKEXV 80	0,213	1,86	59	44
SMART ECG 1500 DX13-DA	2920	ERQ 100 AV1	-	EKEXV 100	0,284	2,48	60	64
SMART ECG 1500 DX15-DA	2920	ERQ 125 AV1	ERQ 125 AW1	EKEXV 125	0,284	2,48	60	64
SMART ECG 2000 DX24-DA	4380	-	ERQ 200 AW1	EKEXV 200	0,426	3,72	61	83
SMART ECG 2500 DX25-DA	5110	-	ERQ 200 AW1	EKEXV 200	0,497	4,34	62	87
SMART ECG 2500 DX29-DA	5110	-	ERQ 250 AW1	EKEXV 250	0,497	4,34	62	87
SMART ECG 3000 DX32-DA	5840	-	ERQ 250 AW1	EKEXV 250	0,568	5,96	63	99

DAIKIN Inverter Outdoor Units	Heating Capacity kW	Heating Power kW	SCOP or COP	Cooling Capacity kW	Cooling Power kW	SEER or EER	Power Supply	Pipes Gas Liquid inch	Pipes Minimum Length m	Pipes Maximum Length m	Pipes Maximum Height m
ERQ 100 AV1	12,5	2,74	4,56	11,2	2,81	3,99	230Vx1	5/8 3/8	-	55	35
ERQ 125 AV1	16,0	3,86	4,15	14,0	3,51	3,99	230Vx1	5/8 3/8	-	55	35
ERQ 125 AW1	16,0	4,00	4,00	14,0	3,52	3,98	400Vx3	5/8 3/8	-	55	30
ERQ 140 AV1	18,0	4,57	3,94	15,5	4,53	3,42	230Vx1	3/4 3/8	-	55	35
ERQ 200 AW1	25,0	5,56	4,50	22,4	5,22	4,29	400Vx3	3/4 3/8	-	55	30
ERQ 250 AW1	31,5	7,70	4,09	28,0	7,42	3,77	400Vx3	7/8 3/8	-	55	30

Energy efficiency: SCOP/SEER seasonal ≤12kW, COP/EER >12kW.

Outdoor unit capacities depending on standard conditions: heating 20°CDB indoor / 7°CDB and 6°CWB outdoor, cooling 27°CDB and 19°CWB indoor / 35°CDB outdoor.

When adverse weather conditions, the outdoor unit capacity can decrease. It is recommendable to oversize the units.

SMART VRV-DA | Heat Pump Energy Saving Air Curtains For DAIKIN Outdoor Units (VRV)



Characteristics



- Energy saving heat pump air curtains: Up to 70% reduction in costs and CO₂ emissions (heating mode).
- Stylish, discreet and contemporary design adaptive to any interior architecture.
- Smooth front panel can be customized with logotypes, lighting, lettering or safety and informative signals, according to the client requirements.
- Self-supporting steel rounded casing with edgeless plastic side covers, finished in structural epoxy-polyester painting white colour RAL9016 as standard. Other colours are available on request.
- Hidden top air entrance, avoiding the inside view of the unit and the inlet grille.
- Anodized aluminium outlet vanes, airfoil shaped, adjustable from 0 to 15° each side.
- EC Double-inlet centrifugal fans driven by an external rotor motor and low noise level, with very low consumption efficiency fans.
- Includes direct expansion coil with sensors. Optional condensate water pump.
- CS-5DX-NE Plug&Play control with 5 speeds and telephone cable 7m included.
- Requires DAIKIN VRV Interface KIT adapted for air curtain and programmable control, please consult.
- Ready to connect to DAIKIN VRV outdoor heat pump unit (R410A) and expansion valve not included, the customer should purchase it.

Specifications

Model	Airflow m ³ /h	Daikin Direct Expansion Valve	Power Fan 230V-50Hz kW	Current Fan 230V-50Hz A	Noise Level (5 m) dB(A)	Weight kg
SMART ECM 1000 VRV8-DA	1640	EKEXV 63	0,142	1,24	54	39
SMART ECM 1500 VRV12-DA	2460	EKEXV 100	0,213	1,86	55	58
SMART ECM 2000 VRV16-DA	3280	EKEXV 125	0,284	2,48	56	73
SMART ECM 2000 VRV19-DA	3280	EKEXV 140	0,284	2,48	56	73
SMART ECM 2500 VRV21-DA	4100	EKEXV 200	0,355	3,10	57	79
SMART ECM 2500 VRV24-DA	4100	EKEXV 200	0,355	3,10	57	79
SMART ECM 3000 VRV26-DA	4920	EKEXV 200	0,426	3,72	58	91
SMART ECM 3000 VRV30-DA	4920	EKEXV 250	0,426	3,72	58	91
SMART ECG 1000 VRV10-DA	2190	EKEXV 80	0,213	1,86	59	44
SMART ECG 1500 VRV13-DA	2920	EKEXV 100	0,284	2,48	60	64
SMART ECG 1500 VRV15-DA	2920	EKEXV 125	0,284	2,48	60	64
SMART ECG 2000 VRV20-DA	4380	EKEXV 200	0,426	3,72	61	83
SMART ECG 2000 VRV24-DA	4380	EKEXV 200	0,426	3,72	61	83
SMART ECG 2500 VRV25-DA	5110	EKEXV 200	0,497	4,34	62	87
SMART ECG 2500 VRV29-DA	5110	EKEXV 250	0,497	4,34	62	87
SMART ECG 3000 VRV29-DA	5840	EKEXV 250	0,568	5,96	63	99
SMART ECG 3000 VRV34-DA	5840	EKEXV 250	0,568	5,96	63	99

DAIKIN VRV compatible Outdoor Units

VRV IV HP (Heat Pump)

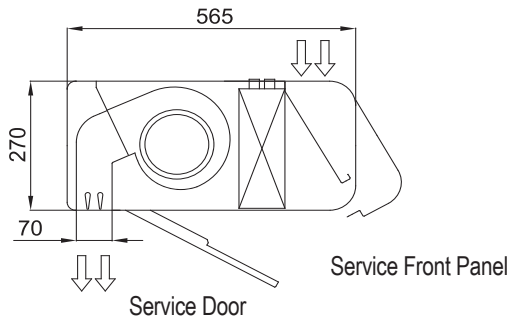
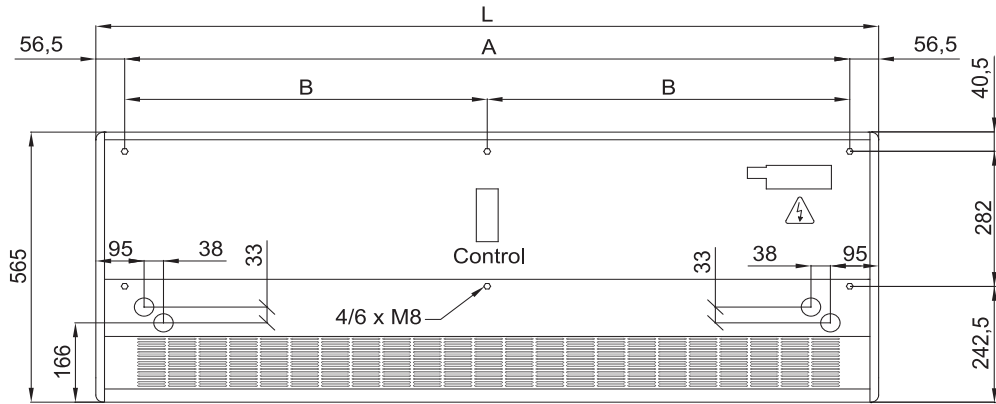
VRV IV HR (Heat Recovery)



SMART DX/VRV-DA | Heat Pump Energy Saving Air Curtains For DAIKIN Outdoor Units (1:1/VRV)



Dimensions



	L	A	B
SMART 1000	1034	920	-
SMART 1500	1534	1420	710
SMART 2000	2034	1920	960
SMART 2500	2534	2420	1210
SMART 3000	3034	2920	1460

Finishes and Details

