

# WINDBOX M,G DX-LG | Heat Pump Energy Saving Air Curtains For LG Outdoor Units (1:1)



## Characteristics



- Energy saving heat pump air curtains: Up to 70% reduction in costs and CO<sub>2</sub> emissions (heating mode).
- Self-supporting casing construction made of galvanized steel plate, finished in structural epoxy-polyester painting white colour RAL9016 as standard. Other colours or stainless steel are available on request.
- Micro-perforated inlet grille with filter functions and easy service. Internal prefilter included.
- Anodized aluminium outlet vanes, airfoil shaped, adjustable from 0 to 15° each side.
- EC Double-inlet centrifugal fans driven by an external rotor motor and low noise level, with very low consumption efficient fans.
- Includes direct expansion coil with sensors. Optional condensate water pump.
- CS-5DX-NE Plug&Play control with 5 speeds and telephone cable 7m included.
- Requires LG DX Interface KIT adapted for air curtain and programmable control, please consult.
- Ready to connect to LG Inverter outdoor heat pump unit (R410A / R32) with expansion valve, not included, the customer should purchase it.

## Specifications

Model	Airflow m <sup>3</sup> /h	Outdoor Unit (*)		Power Fan	Current Fan	Noise Level	Weight kg
		230Vx1	400Vx3	230V-50Hz kW	230V-50Hz A	(5 m) dB(A)	
ECM 1000 DX8-LG	1640	UU30W U44	-	0,142	1,24	56	35
ECM 1500 DX11-LG	2460	UU36W UO2	UU37W UO2	0,213	1,86	57	53
ECM 2000 DX15-LG	3280	UU48W U32	UU49W U32	0,284	2,48	58	69
ECM 2000 DX17-LG	3280	UU60W U32	UU61W U32	0,284	2,48	58	69
ECM 2500 DX22-LG	4100	-	UU70W U34	0,355	3,10	59	86
ECM 3000 DX27-LG	4920	-	UU85W U74	0,426	3,72	60	103
ECG 1000 DX9-LG	2190	UU30W U44	-	0,213	1,86	61	50
ECG 1500 DX15-LG	2920	UU48W U32	UU49W U32	0,284	2,48	62	59
ECG 2000 DX22-LG	4380	-	UU70W U34	0,426	3,72	63	92
ECG 2500 DX22-LG	5110	-	UU70W U34	0,497	4,34	64	96
ECG 2500 DX27-LG	5110	-	UU85W U74	0,497	4,34	64	96
ECG 3000 DX27-LG	5840	-	UU85W U74	0,568	5,96	65	109

(\*) Includes direct expansion valve.

LG Inverter Outdoor Units	Heating Capacity kW	Heating Power kW	SCOP or COP	Cooling Capacity kW	Cooling Power kW	SEER or EER	Power Supply	Pipes		Pipes Minimum Length m	Pipes Maximum Length m	Pipes Maximum Height m
								Gas	Liquid			
R410A (*)								inch				
UU30W U44	9,0	2,62	4,00	7,8	2,41	6,10	230Vx1	5/8	3/8	5	50	30
UU36W UO2	11,2	3,19	3,81	10,0	3,12	5,11	230Vx1	5/8	3/8	5	50	30
UU37W UO2	11,2	3,19	3,81	10,0	3,12	5,11	400Vx3	5/8	3/8	5	50	30
UU48W U32	15,4	4,39	3,50	14,0	4,10	3,41	230Vx1	5/8	3/8	5	75	30
UU49W U32	15,4	4,39	3,50	14,0	4,10	3,41	400Vx3	5/8	3/8	5	75	30
UU60W U32	16,8	4,79	3,51	14,8	4,53	3,31	230Vx1	5/8	3/8	5	75	30
UU61W U32	16,8	4,79	3,51	14,8	4,53	3,31	400Vx3	5/8	3/8	5	75	30
UU70W U34	22,4	6,40	3,50	19,0	6,69	2,84	400Vx3	1	3/8	5	75	30
UU85W U74	27,0	8,31	3,25	23,0	8,19	2,81	400Vx3	7/8	1/2	5	75	30

Energy efficiency: SCOP/SEER seasonal ≤12kW, COP/EER >12kW.

Outdoor unit capacities depending on standard conditions: heating 20°CDB indoor / 7°CDB and 6°CWB outdoor, cooling 27°CDB and 19°CWB indoor / 35°CDB outdoor.

When adverse weather conditions, the outdoor unit capacity can decrease. It is recommendable to oversize the units.

(\*) Also compatible with outdoor units with R32 gas: UU30WR U40, UU36/37/48/49/60/61 WR U30

# WINDBOX M,G VRF-LG | Heat Pump Energy Saving Air Curtains For LG Outdoor Units (VRF)



## Characteristics



- Energy saving heat pump air curtains: Up to 70% reduction in costs and CO<sub>2</sub> emissions (heating mode).
- Self-supporting casing construction made of galvanized steel plate, finished in structural epoxy-polyester painting white colour RAL9016 as standard. Other colours or stainless steel are available on request.
- Micro-perforated inlet grille with filter functions and easy service. Internal prefilter included.
- Anodized aluminium outlet vanes, airfoil shaped, adjustable from 0 to 15° each side.
- EC Double-inlet centrifugal fans driven by an external rotor motor and low noise level, with very low consumption efficient fans.
- Includes direct expansion coil with sensors. Optional condensate water pump.
- CS-5DX-NE Plug&Play control with 5 speeds and telephone cable 7m included.
- Requires LG VRF Interface KIT adapted for air curtain and programmable control, please consult.
- Ready to connect to LG VRF outdoor heat pump unit (R410A) and expansion valve not included, the customer should purchase it.

## Specifications

Model	Airflow m <sup>3</sup> /h	LG Direct Expansion Valve	Power Fan 230V-50Hz kW	Current Fan 230V-50Hz A	Noise Level (5 m) dB(A)	Weight kg
ECM 1000 VRF8-LG	1640	PRLK048A0	0,142	1,24	56	35
ECM 1500 VRF13-LG	2460	PRLK048A0	0,213	1,86	57	53
ECM 2000 VRF16-LG	3280	PRLK048A0	0,284	2,48	58	69
ECM 2000 VRF19-LG	3280	PRLK048A0	0,284	2,48	58	69
ECM 2500 VRF21-LG	4100	PRLK048A0	0,355	3,10	59	86
ECM 2500 VRF24-LG	4100	PRLK048A0	0,355	3,10	59	86
ECM 3000 VRF26-LG	4920	PRLK048A0	0,426	3,72	60	103
ECM 3000 VRF30-LG	4920	PRLK048A0	0,426	3,72	60	103
ECG 1000 VRF10-LG	2190	PRLK048A0	0,213	1,86	61	50
ECG 1500 VRF15-LG	2920	PRLK048A0	0,284	2,48	62	59
ECG 2000 VRF24-LG	4380	PRLK048A0	0,426	3,72	63	92
ECG 2500 VRF25-LG	5110	PRLK048A0	0,497	4,34	64	96
ECG 2500 VRF29-LG	5110	PRLK048A0	0,497	4,34	64	96
ECG 3000 VRF29-LG	5840	PRLK048A0	0,568	5,96	65	109
ECG 3000 VRF34-LG	5840	PRLK96A0	0,568	5,96	65	109

### LG VRF Outdoor Units (Heat Pump or Heat Recovery depending on Tonnage)

Multi V S

Multi V 5

Multi V IV

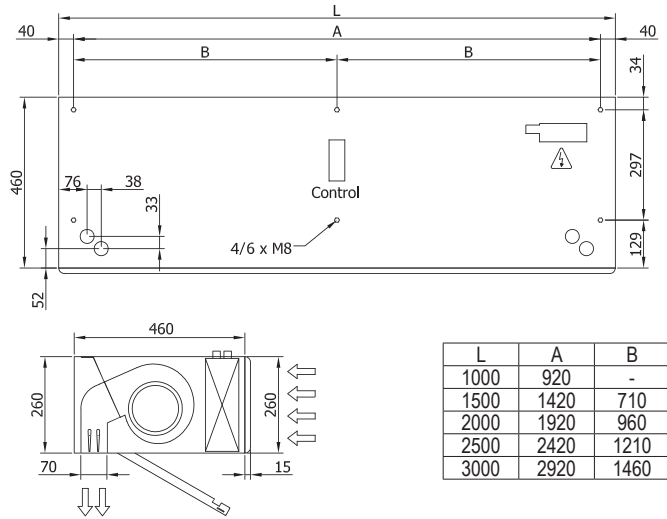
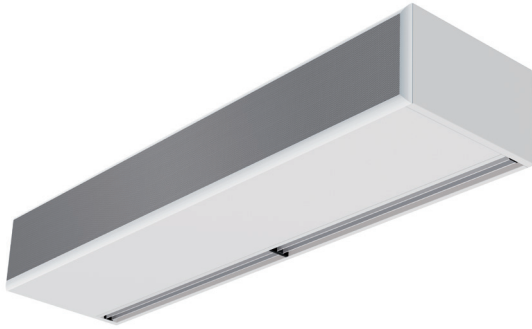


When adverse weather conditions, the outdoor unit capacity can decrease. It is recommendable to oversize the units.

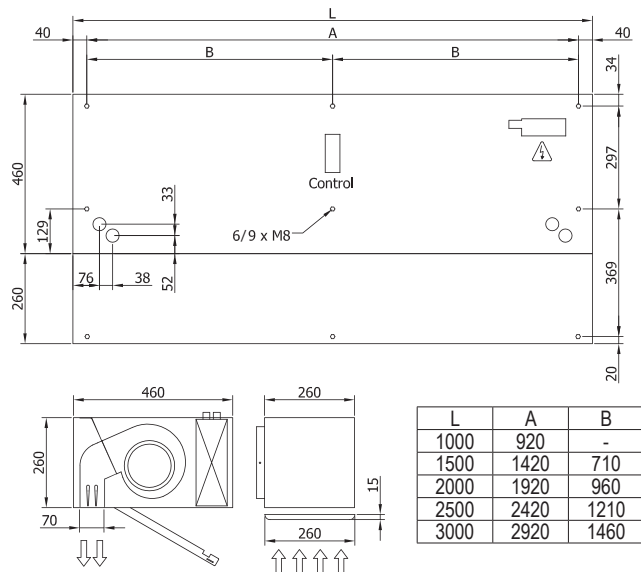
**WINDBOX M,G DX/VRF-LG | Heat Pump Energy Saving Air Curtains For LG Outdoor Units (1:1/VRF)**



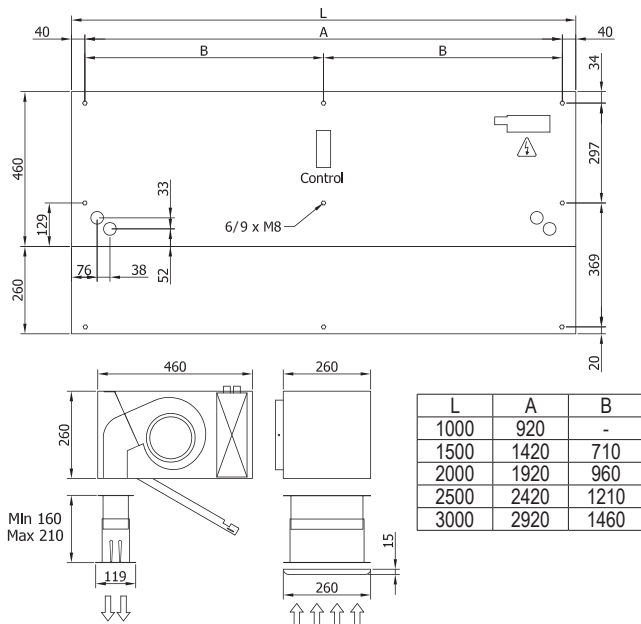
Layouts and dimensions



Free hanging mounting



Inside ceiling surface mounting



False ceiling invisible mounting