

RECESSED WINDBOX DX-LG | Heat Pump Energy Saving Air Curtains For LG Outdoor Units (1:1)



Characteristics



- Energy saving heat pump air curtains: Up to 70% reduction in costs and CO₂ emissions (heating mode).
- Self-supporting casing construction made of galvanized steel plate, ready to be installed recessed in a false ceiling.
- Inlet grille (free of maintenance) made with aluminium profiles and blow-out nozzle, integrated in a single white frame colour RAL 9016. Other colours are available on request.
- Anodized aluminium outlet vanes, airfoil shaped, adjustable in both directions.
- EC Double-inlet centrifugal fans driven by an external rotor motor and low noise level, with very low consumption efficient fans.
- Includes direct expansion coil with sensors. Optional condensate water pump.
- CS-5DX-NE Plug&Play control with 5 speeds and telephone cable 7m included.
- Requires LG DX Interface KIT adapted for air curtain and programmable control, please consult.
- Ready to connect to LG Inverter outdoor heat pump unit (R410A / R32) with expansion valve, not included, the customer should purchase it.

Specifications

Model	Airflow m ³ /h	Outdoor Unit (*)		Power Fan 230V-50Hz	Current Fan 230V-50Hz	Noise Level (5 m)	Weight kg
		230Vx1	400Vx3	kW	A	dB(A)	
RECM 1000 DX8-LG	1640	UU30W U44	-	0,142	1,24	56	63
RECM 1500 DX11-LG	2460	UU36W UO2	UU37W UO2	0,213	1,86	57	93
RECM 2000 DX15-LG	3280	UU48W U32	UU49W U32	0,284	2,48	58	122
RECM 2000 DX17-LG	3280	UU60W U32	UU61W U32	0,284	2,48	58	122
RECM 2500 DX22-LG	4100	-	UU70W U34	0,355	3,10	59	153
RECG 1000 DX9-LG	2190	UU30W U44	-	0,213	1,86	61	67
RECG 1500 DX15-LG	2920	UU48W U32	UU49W U32	0,284	2,48	62	98
RECG 2000 DX22-LG	4380	-	UU70W U34	0,426	3,72	63	131
RECG 2500 DX22-LG	5110	-	UU70W U34	0,497	4,34	64	163
RECG 2500 DX27-LG	5110	-	UU85W U74	0,497	4,34	64	163

(*) Includes direct expansion valve.

LG Inverter Outdoor Units R410A (*)	Heating Capacity kW	Heating Power kW	SCOP or COP	Cooling Capacity kW	Cooling Power kW	SEER or EER	Power Supply	Pipes		Pipes Minimum Length m	Pipes Maximum Length m	Pipes Maximum Height m
								Gas	Liquid			
UU30W U44	9,0	2,62	4,00	7,8	2,41	6,10	230Vx1	5/8	3/8	5	50	30
UU36W UO2	11,2	3,19	3,81	10,0	3,12	5,11	230Vx1	5/8	3/8	5	50	30
UU37W UO2	11,2	3,19	3,81	10,0	3,12	5,11	400Vx3	5/8	3/8	5	50	30
UU48W U32	15,4	4,39	3,50	14,0	4,10	3,41	230Vx1	5/8	3/8	5	75	30
UU49W U32	15,4	4,39	3,50	14,0	4,10	3,41	400Vx3	5/8	3/8	5	75	30
UU60W U32	16,8	4,79	3,51	14,8	4,53	3,31	230Vx1	5/8	3/8	5	75	30
UU61W U32	16,8	4,79	3,51	14,8	4,53	3,31	400Vx3	5/8	3/8	5	75	30
UU70W U34	22,4	6,40	3,50	19,0	6,69	2,84	400Vx3	1	3/8	5	75	30
UU85W U74	27,0	8,31	3,25	23,0	8,19	2,81	400Vx3	7/8	1/2	5	75	30

Energy efficiency: SCOP/SEER seasonal ≤12kW, COP/EER >12kW.

Outdoor unit capacities depending on standard conditions: heating 20°CDB indoor / 7°CDB and 6°CWB outdoor, cooling 27°CDB and 19°CWB indoor / 35°CDB outdoor.

When adverse weather conditions, the outdoor unit capacity can decrease. It is recommendable to oversize the units.

(*) Also compatible with outdoor units with R32 gas: UU30WR U40, UU36/37/48/49/60/61 WR U30

RECESSED WINDBOX VRF-LG | Heat Pump Energy Saving Air Curtains For LG Outdoor Units (VRF)



Characteristics



- Energy saving heat pump air curtains: Up to 70% reduction in costs and CO₂ emissions (heating mode).
- Self-supporting casing construction made of galvanized steel plate, ready to be installed recessed in a false ceiling.
- Inlet grille (free of maintenance) made with aluminium profiles and blow-out nozzle, integrated in a single white frame colour RAL 9016. Other colours are available on request.
- Anodized aluminium outlet vanes, airfoil shaped, adjustable in both directions.
- EC Double-inlet centrifugal fans driven by an external rotor motor and low noise level, with very low consumption efficiency fans.
- Includes direct expansion coil with sensors. Optional condensate water pump.
- CS-5DX-NE Plug&Play control with 5 speeds and telephone cable 7m included.
- Requires LG VRF Interface KIT adapted for air curtain and programmable control, please consult.
- Ready to connect to LG VRF outdoor heat pump unit (R410A) and expansion valve not included, the customer should purchase it.

Specifications

Model	Airflow m ³ /h	LG Direct Expansion Valve	Power Fan 230V-50Hz kW	Current Fan 230V-50Hz A	Noise Level (5 m) dB(A)	Weight kg
RECM 1000 VRF8-LG	1640	PRLK048A0	0,142	1,24	56	63
RECM 1500 VRF13-LG	2460	PRLK048A0	0,213	1,86	57	93
RECM 2000 VRF16-LG	3280	PRLK048A0	0,284	2,48	58	122
RECM 2000 VRF19-LG	3280	PRLK048A0	0,284	2,48	58	122
RECM 2500 VRF21-LG	4100	PRLK048A0	0,355	3,10	59	153
RECM 2500 VRF24-LG	4100	PRLK048A0	0,355	3,10	59	153
RECG 1000 VRF10-LG	2190	PRLK048A0	0,213	1,86	61	67
RECG 1500 VRF15-LG	2920	PRLK048A0	0,284	2,48	62	98
RECG 2000 VRF24-LG	4380	PRLK048A0	0,426	3,72	63	131
RECG 2500 VRF25-LG	5110	PRLK048A0	0,497	4,34	64	163
RECG 2500 VRF29-LG	5110	PRLK048A0	0,497	4,34	64	163

LG VRF Outdoor Units (Heat Pump or Heat Recovery depending on Tonnage)

Multi V S



Multi V 5



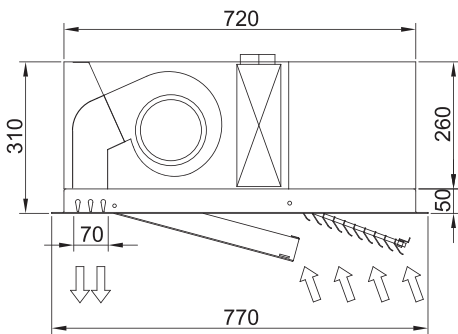
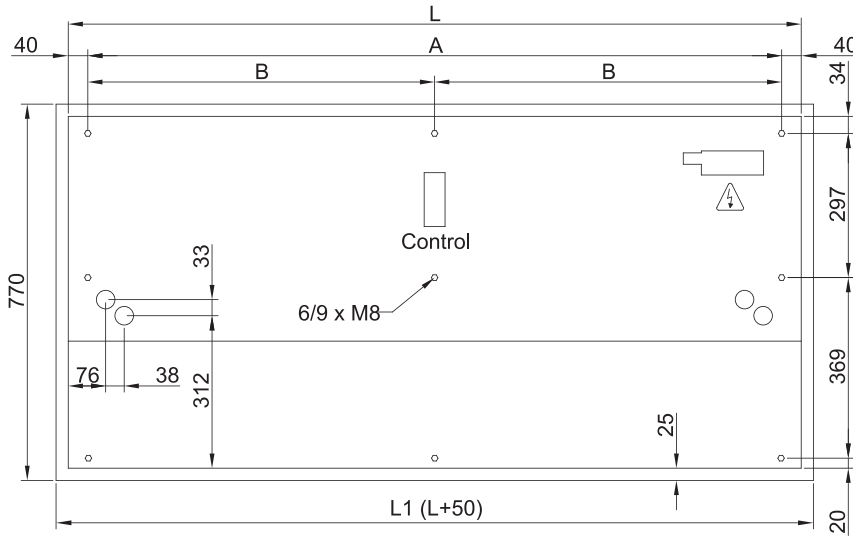
Multi V IV



RECESSED WINDBOX DX/VRF-LG | Heat Pump Energy Saving Air Curtains For LG Outdoor Units (1:1/VRF)



Dimensions



	L	L1	A	B
RWIN 1000	1000	1050	920	-
RWIN 1500	1500	1550	1420	710
RWIN 2000	2000	2050	1920	960
RWIN 2500	2500	2550	2420	1210

Finishes and details

Designed to be integrated in a false ceiling
or in a bulkhead at the entrance of a local



Customizable inlet grille in RAL color optionally