

## RECESSED WINDBOX DX-PA | Heat Pump Energy Saving Air Curtains For PANASONIC Outdoor Units (1:1)



### Characteristics



- Energy saving heat pump air curtains: Up to 70% reduction in costs and CO<sub>2</sub> emissions (heating mode).
- Self-supporting casing construction made of galvanized steel plate, ready to be installed recessed in a false ceiling.
- Inlet grille (free of maintenance) made with aluminium profiles and blow-out nozzle, integrated in a single white frame colour RAL 9016. Other colours are available on request.
- Anodized aluminium outlet vanes, airfoil shaped, adjustable in both directions.
- EC Double-inlet centrifugal fans driven by an external rotor motor and low noise level, with very low consumption efficient fans.
- Includes direct expansion coil with sensors. Optional condensate water pump.
- CS-5DX-NE Plug&Play control with 5 speeds and telephone cable 7m included.
- Requires PANASONIC DX Interface KIT adapted for air curtain and programmable control, please consult.
- Ready to connect to PANASONIC Inverter outdoor heat pump unit (R32) with expansion valve, not included, the customer should purchase it.

### Specifications

Model	Airflow m <sup>3</sup> /h	Outdoor Unit		Power Fan 230V-50Hz	Current Fan 230V-50Hz	Noise Level (5 m)	Weight kg
		230Vx1	400Vx3	kW	A	dB(A)	
RECM 1500 DX11-PA	2460	U-100PZH2E5	U-100PZH2E8	0,213	1,86	57	93
RECM 1500 DX13-PA	2460	U-125PZ2E5	U-125PZ2E8	0,213	1,86	57	93
RECM 2000 DX16-PA	3280	U-140PZH2E5	U-140PZH2E8	0,284	2,48	58	122
RECM 2500 DX22-PA	4100	-	U-200PZH2E8	0,355	3,10	59	153
RECG 1000 DX10-PA	2190	U-100PZ2E5	U-100PZ2E8	0,213	1,86	61	67
RECG 1500 DX14-PA	2920	U-125PZH2E5	U-125PZH2E8	0,284	2,48	62	98
RECG 1500 DX14-PA	2920	U-140PZ2E5	U-140PZ2E8	0,284	2,48	62	98
RECG 2000 DX22-PA	4380	-	U-200PZH2E8	0,426	3,72	63	131
RECG 2500 DX28-PA	5110	-	U-250PZH2E8	0,497	4,34	64	163

PANASONIC Inverter Outdoor Units Standard / Elite	Heating Capacity kW	Heating Power kW	SCOP or COP	Cooling Capacity kW	Cooling Power kW	SEER or EER	Power Supply	Pipes		Pipes Maximum Length m	Pipes Maximum Height m
								Gas	Liquid		
								inch			
U-100PZ2E5	10,00	2,32	3,80	10,00	2,73	5,60	230Vx1	5/8	3/8	50	30
U-100PZ2E8	10,00	2,32	3,80	10,00	2,73	5,60	400Vx3	5/8	3/8	50	30
U-125PZ2E5	12,50	3,11	3,61	12,50	3,55	5,56	230Vx1	5/8	3/8	50	30
U-125PZ2E8	12,50	3,11	3,61	12,50	3,55	5,54	400Vx3	5/8	3/8	50	30
U-140PZ2E5	14,00	3,69	3,54	14,00	4,40	5,38	230Vx1	5/8	3/8	50	30
U-140PZ2E8	14,00	3,69	3,54	14,00	4,40	5,37	400Vx3	5/8	3/8	50	30
U-100PZH2E5	11,20	2,60	4,40	10,00	2,42	6,10	230Vx1	5/8	3/8	85	30
U-100PZH2E8	11,20	2,60	4,40	10,00	2,42	6,10	400Vx3	5/8	3/8	85	30
U-125PZH2E5	14,00	3,48	4,26	12,50	3,55	5,88	230Vx1	5/8	3/8	85	30
U-125PZH2E8	14,00	3,48	4,26	12,50	3,55	5,87	400Vx3	5/8	3/8	85	30
U-140PZH2E5	16,00	4,38	4,18	14,00	4,30	5,73	230Vx1	5/8	3/8	85	30
U-140PZH2E8	16,00	4,38	4,18	14,00	4,30	5,72	400Vx3	5/8	3/8	85	30
U-200PZH2E8	22,40	6,21	3,61	19,50	6,06	5,25	400Vx3	1	3/8	90	30
U-250PZH2E8	28,00	8,21	3,64	23,20	7,46	4,84	400Vx3	1	1/2	60	30

Energy efficiency: SCOP/SEER seasonal ≤12kW, COP/EER >12kW.

Outdoor unit capacities depending on standard conditions: heating 20°CDB indoor / 7°CDB and 6°CWB outdoor, cooling 27°CDB and 19°CWB indoor / 35°CDB outdoor.

When adverse weather conditions, the outdoor unit capacity can decrease. It is recommendable to oversize the units.

# RECESSED WINDBOX VRF-PA | Heat Pump Energy Saving Air Curtains For PANASONIC Outdoor Units (VRF)



## Characteristics



- Energy saving heat pump air curtains: Up to 70% reduction in costs and CO<sub>2</sub> emissions (heating mode).
- Self-supporting construction made of galvanized steel plate, ready to be installed recessed in a false ceiling.
- Inlet grille (free of maintenance) made with aluminium profiles and blow-out nozzle, integrated in a single white frame colour RAL 9016. Other colours are available on request.
- Anodized aluminium outlet vanes, airfoil shaped, adjustable in both directions.
- EC Double-inlet centrifugal fans driven by an external rotor motor and low noise level, with very low consumption efficient fans.
- Includes direct expansion coil with sensors. Optional condensate water pump.
- CS-5DX-NE Plug&Play control with 5 speeds and telephone cable 7m included.
- Requires PANASONIC VRF Interface KIT adapted for air curtain with expansion valve and programmable control, please consult.
- Ready to connect to PANASONIC VRF outdoor heat pump unit (R410A), not included, the customer should purchase it.

## Specifications

Model	Airflow m <sup>3</sup> /h	Panasonic Kit Interface VRF	Power Fan 230V-50Hz kW	Current Fan 230V-50Hz A	Noise Level (5 m) dB(A)	Weight kg
RECM 1500 VRF12-PA	2460	PAW-160MAH2	0,213	1,86	57	93
RECM 2000 VRF16-PA	3280	PAW-160MAH2	0,284	2,48	58	122
RECM 2000 VRF19-PA	3280	PAW-280MAH2	0,284	2,48	58	122
RECM 2500 VRF21-PA	4100	PAW-280MAH2	0,355	3,10	59	153
RECM 2500 VRF24-PA	4100	PAW-280MAH2	0,355	3,10	59	153
RECG 1000 VRF10-PA	2190	PAW-160MAH2	0,213	1,86	61	67
RECG 1500 VRF13-PA	2920	PAW-160MAH2	0,284	2,48	62	98
RECG 1500 VRF15-PA	2920	PAW-160MAH2	0,284	2,48	62	98
RECG 2000 VRF20-PA	4380	PAW-280MAH2	0,426	3,72	63	131
RECG 2000 VRF24-PA	4380	PAW-280MAH2	0,426	3,72	63	131
RECG 2500 VRF25-PA	5110	PAW-280MAH2	0,497	4,34	64	163
RECG 2500 VRF29-PA	5110	PAW-280MAH2	0,497	4,34	64	163

### PANASONIC VRF compatible Outdoor Units

Mini ECOi (Heat Pump)



ECOi & ECOg (Heat Pump / Heat Recovery)

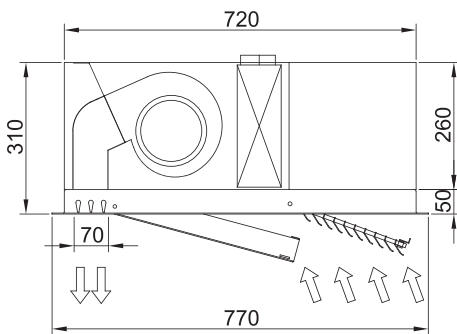
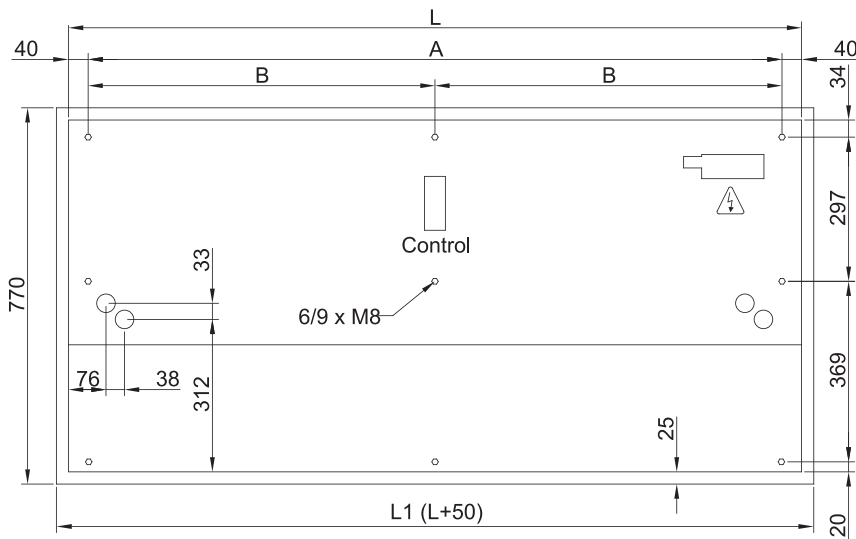


When adverse weather conditions, the outdoor unit capacity can decrease. It is recommendable to oversize the units.

**RECESSED WINDBOX DX/VRF-PA | Heat Pump Energy Saving Air Curtains For PANASONIC Outdoor Units (1:1/VRF)**



**Dimensions**



	L	L1	A	B
RWIN 1000	1000	1050	920	-
RWIN 1500	1500	1550	1420	710
RWIN 2000	2000	2050	1920	960
RWIN 2500	2500	2550	2420	1210

**Finishes and details**

Designed to be integrated in a false ceiling  
or in a bulkhead at the entrance of a local



Customizable inlet grille in RAL color optionally