

## SMART DX-PA | Heat Pump Energy Saving Air Curtains For PANASONIC Outdoor Units (1:1)



### Characteristics



- Energy saving heat pump air curtains: Up to 70% reduction in costs and CO<sub>2</sub> emissions (heating mode).
- Stylish, discreet and contemporary design adaptive to any interior architecture.
- Smooth front panel can be customized with logotypes, lighting, lettering or safety and informative signals, according to the client requirements.
- Self-supporting steel rounded casing with edgeless plastic side covers, finished in structural epoxy-polyester painting white colour RAL9016 as standard. Other colours are available on request.
- Hidden top air entrance, avoiding the inside view of the unit and the inlet grille.
- Anodized aluminium outlet vanes, airfoil shaped, adjustable from 0 to 15° each side.
- EC Double-inlet centrifugal fans driven by an external rotor motor and low noise level, with very low consumption efficiency fans.
- Includes direct expansion coil with sensors. Optional condensate water pump.
- CS-5DX-NE Plug&Play control with 5 speeds and telephone cable 7m included.
- Requires PANASONIC DX Interface KIT adapted for air curtain and programmable control, please consult.
- Ready to connect to PANASONIC Inverter outdoor heat pump unit (R32) with expansion valve, not included, the customer should purchase it.

### Specifications

Model	Airflow m <sup>3</sup> /h	Outdoor Unit		Power Fan	Current Fan	Noise Level	Weight kg
		230Vx1	400Vx3	230V-50Hz kW	230V-50Hz A	(5 m) dB(A)	
SMART ECM 1500 DX11-PA	2460	U-100PZH2E5	U-100PZH2E8	0,213	1,86	55	58
SMART ECM 1500 DX13-PA	2460	U-125PZ2E5	U-125PZ2E8	0,213	1,86	55	58
SMART ECM 2000 DX16-PA	3280	U-140PZH2E5	U-140PZH2E8	0,284	2,48	56	73
SMART ECM 2500 DX22-PA	4100	-	U-200PZH2E8	0,355	3,10	57	79
SMART ECM 3000 DX28-PA	4920	-	U-250PZH2E8	0,426	3,72	58	91
SMART ECG 1000 DX10-PA	2190	U-100PZ2E5	U-100PZ2E8	0,213	1,86	59	44
SMART ECG 1500 DX14-PA	2920	U-125PZH2E5	U-125PZH2E8	0,284	2,48	60	64
SMART ECG 1500 DX14-PA	2920	U-140PZ2E5	U-140PZ2E8	0,284	2,48	60	64
SMART ECG 2000 DX22-PA	4380	-	U-200PZH2E8	0,426	3,72	61	83
SMART ECG 2500 DX28-PA	5110	-	U-250PZH2E8	0,497	4,34	62	87
SMART ECG 3000 DX28-PA	5840	-	U-250PZH2E8	0,568	5,96	63	99

PANASONIC Inverter Outdoor Units Standard / Elite	Heating Capacity kW	Heating Power kW	SCOP or COP	Cooling Capacity kW	Cooling Power kW	SEER or EER	Power Supply	Pipes		Pipes Maximum Length m	Pipes Maximum Height m
								Gas	Liquid		
								inch			
U-100PZ2E5	10,00	2,32	3,80	10,00	2,73	5,60	230Vx1	5/8	3/8	50	30
U-100PZ2E8	10,00	2,32	3,80	10,00	2,73	5,60	400Vx3	5/8	3/8	50	30
U-125PZ2E5	12,50	3,11	3,61	12,50	3,55	5,56	230Vx1	5/8	3/8	50	30
U-125PZ2E8	12,50	3,11	3,61	12,50	3,55	5,54	400Vx3	5/8	3/8	50	30
U-140PZ2E5	14,00	3,69	3,54	14,00	4,40	5,38	230Vx1	5/8	3/8	50	30
U-140PZ2E8	14,00	3,69	3,54	14,00	4,40	5,37	400Vx3	5/8	3/8	50	30
U-100PZH2E5	11,20	2,60	4,40	10,00	2,42	6,10	230Vx1	5/8	3/8	85	30
U-100PZH2E8	11,20	2,60	4,40	10,00	2,42	6,10	400Vx3	5/8	3/8	85	30
U-125PZH2E5	14,00	3,48	4,26	12,50	3,55	5,88	230Vx1	5/8	3/8	85	30
U-125PZH2E8	14,00	3,48	4,26	12,50	3,55	5,87	400Vx3	5/8	3/8	85	30
U-140PZH2E5	16,00	4,38	4,18	14,00	4,30	5,73	230Vx1	5/8	3/8	85	30
U-140PZH2E8	16,00	4,38	4,18	14,00	4,30	5,72	400Vx3	5/8	3/8	85	30
U-200PZH2E8	22,40	6,21	3,61	19,50	6,06	5,25	400Vx3	1	3/8	90	30
U-250PZH2E8	28,00	8,21	3,64	23,20	7,46	4,84	400Vx3	1	1/2	60	30

Energy efficiency: SCOP/SEER seasonal ≤12kW, COP/EER >12kW.

Outdoor unit capacities depending on standard conditions: heating 20°CDB indoor / 7°CDB and 6°CWB outdoor, cooling 27°CDB and 19°CWB indoor / 35°CDB outdoor.

When adverse weather conditions, the outdoor unit capacity can decrease. It is recommendable to oversize the units.

## SMART VRF-PA | Heat Pump Energy Saving Air Curtains For PANASONIC Outdoor Units (VRF)



### Characteristics



- Energy saving heat pump air curtains: Up to 70% reduction in costs and CO<sub>2</sub> emissions (heating mode).
- Stylish, discreet and contemporary design adaptive to any interior architecture.
- Smooth front panel can be customized with logotypes, lighting, lettering or safety and informative signals, according to the client requirements.
- Self-supporting steel rounded casing with edgeless plastic side covers, finished in structural epoxy-polyester painting white colour RAL9016 as standard. Other colours are available on request.
- Hidden top air entrance, avoiding the inside view of the unit and the inlet grille.
- Anodized aluminium outlet vanes, airfoil shaped, adjustable from 0 to 15° each side.
- EC Double-inlet centrifugal fans driven by an external rotor motor and low noise level, with very low consumption efficiency fans.
- Includes direct expansion coil with sensors. Optional condensate water pump.
- CS-5DX-NE Plug&Play control with 5 speeds and telephone cable 7m included.
- Requires PANASONIC VRF Interface KIT adapted for air curtain with expansion valve and programmable control, please consult.
- Ready to connect to PANASONIC VRF outdoor heat pump unit (R410A), not included, the customer should purchase it.

### Specifications

Model	Airflow m <sup>3</sup> /h	Panasonic Kit Interface VRF	Power Fan 230V-50Hz kW	Current Fan 230V-50Hz A	Noise Level (5 m) dB(A)	Weight kg
SMART ECM 1500 VRF12-PA	2460	PAW-160MAH2	0,213	1,86	55	58
SMART ECM 2000 VRF16-PA	3280	PAW-160MAH2	0,284	2,48	56	73
SMART ECM 2000 VRF19-PA	3280	PAW-280MAH2	0,284	2,48	56	73
SMART ECM 2500 VRF21-PA	4100	PAW-280MAH2	0,355	3,10	57	79
SMART ECM 2500 VRF24-PA	4100	PAW-280MAH2	0,355	3,10	57	79
SMART ECM 3000 VRF26-PA	4920	PAW-280MAH2	0,426	3,72	58	91
SMART ECG 1000 VRF10-PA	2190	PAW-160MAH2	0,213	1,86	59	44
SMART ECG 1500 VRF13-PA	2920	PAW-160MAH2	0,284	2,48	60	64
SMART ECG 1500 VRF15-PA	2920	PAW-160MAH2	0,284	2,48	60	64
SMART ECG 2000 VRF20-PA	4380	PAW-280MAH2	0,426	3,72	61	83
SMART ECG 2000 VRF24-PA	4380	PAW-280MAH2	0,426	3,72	61	83
SMART ECG 2500 VRF25-PA	5110	PAW-280MAH2	0,497	4,34	62	87
SMART ECG 2500 VRF29-PA	5110	PAW-280MAH2	0,497	4,34	62	87
SMART ECG 3000 VRF29-PA	5840	PAW-280MAH2	0,568	5,96	63	99

#### PANASONIC VRF compatible Outdoor Units

Mini ECOi (Heat Pump)



ECOi & ECOg (Heat Pump / Heat Recovery)

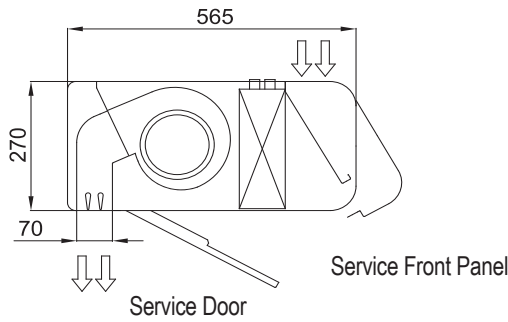
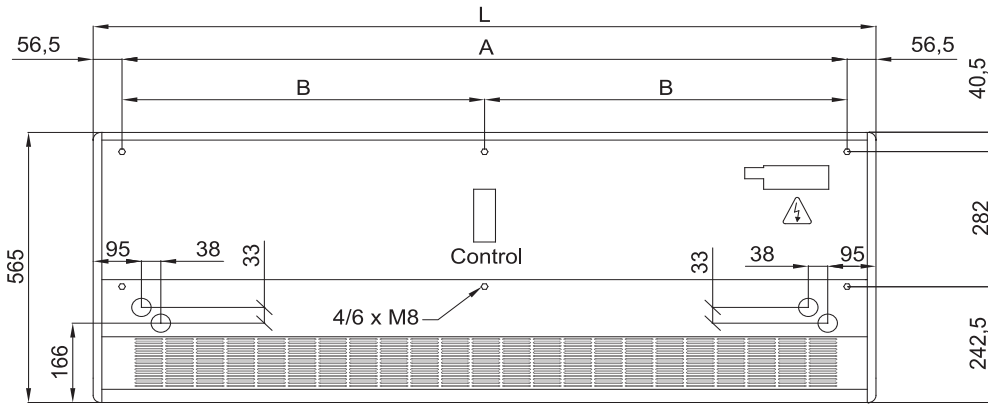


When adverse weather conditions, the outdoor unit capacity can decrease. It is recommendable to oversize the units.

**SMART DX/VRF-PA | Heat Pump Energy Saving Air Curtains For PANASONIC Outdoor Units (1:1/VRF)**



**Dimensions**



	L	A	B
SMART 1000	1034	920	-
SMART 1500	1534	1420	710
SMART 2000	2034	1920	960
SMART 2500	2534	2420	1210
SMART 3000	3034	2920	1460

**Finishes and Details**



Smooth or customizable front panel with logos, lighting or signage



Hidden top air entrance