

## RECESSED DAM DX-PA | Heat Pump Energy Saving Air Curtains For PANASONIC Outdoor Units (1:1)



### Characteristics



- Energy saving heat pump air curtains: Up to 70% reduction in costs and CO<sub>2</sub> emissions (heating mode).
- Compact and low profile recessed air curtain with full grille view.
- Self-supporting casing construction made of galvanized steel plate, ready to be installed recessed in a false ceiling.
- Inlet grille (free of maintenance) made with aluminium profiles and blow-out nozzle, integrated in a single white frame colour RAL 9016. Other colours are available on request.
- EC Double-inlet centrifugal fans driven by an external rotor motor and low noise level, with very low consumption efficiency fans.
- Includes direct expansion coil with sensors. Optional condensate water pump.
- CS-5DX-NE Plug&Play control with 5 speeds and telephone cable 7m included.
- Requires PANASONIC DX Interface KIT adapted for air curtain and programmable control, please consult.
- Ready to connect to PANASONIC Inverter outdoor heat pump unit (R32) with expansion valve, not included, the customer should purchase it.

### Specifications

Model	Airflow m <sup>3</sup> /h	Outdoor Unit 230Vx1	Outdoor Unit 400Vx3	Power Fan 230V-50Hz kW	Current Fan 230V-50Hz A	Noise Level (5 m) dB(A)	Weight kg
RDAM ECM 1500 DX11-PA	2460	U-100PZH2E5	U-100PZH2E8	0,213	1,86	57	74
RDAM ECM 1500 DX13-PA	2460	U-125PZ2E5	U-125PZ2E8	0,213	1,86	57	74
RDAM ECM 2000 DX16-PA	3280	U-140PZH2E5	U-140PZH2E8	0,284	2,48	58	95
RDAM ECM 2500 DX22-PA	4100	-	U-200PZH2E8	0,355	3,10	59	106
RDAM ECG 1000 DX10-PA	2190	U-100PZ2E5	U-100PZ2E8	0,213	1,86	61	55
RDAM ECG 1500 DX14-PA	2920	U-125PZH2E5	U-125PZH2E8	0,284	2,48	62	80
RDAM ECG 1500 DX14-PA	2920	U-140PZ2E5	U-140PZ2E8	0,284	2,48	62	80
RDAM ECG 2000 DX22-PA	4380	-	U-200PZH2E8	0,426	3,72	63	105
RDAM ECG 2500 DX28-PA	5110	-	U-250PZH2E8	0,497	4,34	64	114

PANASONIC Inverter Outdoor Units Standard / Elite	Heating Capacity kW	Heating Power kW	SCOP or COP	Cooling Capacity kW	Cooling Power kW	SEER or EER	Power Supply	Pipes		Pipes Maximum Length m	Pipes Maximum Height m
								Gas inch	Liquid inch		
U-100PZ2E5	10,00	2,32	3,80	10,00	2,73	5,60	230Vx1	5/8	3/8	50	30
U-100PZ2E8	10,00	2,32	3,80	10,00	2,73	5,60	400Vx3	5/8	3/8	50	30
U-125PZ2E5	12,50	3,11	3,61	12,50	3,55	5,56	230Vx1	5/8	3/8	50	30
U-125PZ2E8	12,50	3,11	3,61	12,50	3,55	5,54	400Vx3	5/8	3/8	50	30
U-140PZ2E5	14,00	3,69	3,54	14,00	4,40	5,38	230Vx1	5/8	3/8	50	30
U-140PZ2E8	14,00	3,69	3,54	14,00	4,40	5,37	400Vx3	5/8	3/8	50	30
U-100PZH2E5	11,20	2,60	4,40	10,00	2,42	6,10	230Vx1	5/8	3/8	85	30
U-100PZH2E8	11,20	2,60	4,40	10,00	2,42	6,10	400Vx3	5/8	3/8	85	30
U-125PZH2E5	14,00	3,48	4,26	12,50	3,55	5,88	230Vx1	5/8	3/8	85	30
U-125PZH2E8	14,00	3,48	4,26	12,50	3,55	5,87	400Vx3	5/8	3/8	85	30
U-140PZH2E5	16,00	4,38	4,18	14,00	4,30	5,73	230Vx1	5/8	3/8	85	30
U-140PZH2E8	16,00	4,38	4,18	14,00	4,30	5,72	400Vx3	5/8	3/8	85	30
U-200PZH2E8	22,40	6,21	3,61	19,50	6,06	5,25	400Vx3	1	3/8	90	30
U-250PZH2E8	28,00	8,21	3,64	23,20	7,46	4,84	400Vx3	1	1/2	60	30

Energy efficiency: SCOP/SEER seasonal ≤12kW, COP/EER >12kW.

Outdoor unit capacities depending on standard conditions: heating 20°CDB indoor / 7°CDB and 6°CWB outdoor, cooling 27°CDB and 19°CWB indoor / 35°CDB outdoor.

When adverse weather conditions, the outdoor unit capacity can decrease. It is recommendable to oversize the units.

## RECESSED DAM VRF-PA | Heat Pump Energy Saving Air Curtains For PANASONIC Outdoor Units (VRF)



### Characteristics



- Energy saving heat pump air curtains: Up to 70% reduction in costs and CO<sub>2</sub> emissions (heating mode).
- Compact and low profile recessed air curtain with full grille view.
- Self-supporting casing construction made of galvanized steel plate, ready to be installed recessed in a false ceiling.
- Inlet grille (free of maintenance) made with aluminium profiles and blow-out nozzle, integrated in a single white frame colour RAL 9016. Other colours are available on request.
- EC Double-inlet centrifugal fans driven by an external rotor motor and low noise level, with very low consumption efficiency fans.
- Includes direct expansion coil with sensors. Optional condensate water pump.
- CS-5DX-NE Plug&Play control with 5 speeds and telephone cable 7m included.
- Requires PANASONIC VRF Interface KIT adapted for air curtain with expansion valve and programmable control, please consult.
- Ready to connect to PANASONIC VRF outdoor heat pump unit (R410A), not included, the customer should purchase it.

### Specifications

Model	Airflow m <sup>3</sup> /h	Panasonic Kit Interface VRF	Power Fan 230V-50Hz kW	Current Fan 230V-50Hz A	Noise Level (5 m) dB(A)	Weight kg
RDAM ECM 1500 VRF12-PA	2460	PAW-160MAH2	0,213	1,86	57	74
RDAM ECM 2000 VRF16-PA	3280	PAW-160MAH2	0,284	2,48	58	95
RDAM ECM 2000 VRF19-PA	3280	PAW-280MAH2	0,284	2,48	58	95
RDAM ECM 2500 VRF21-PA	4100	PAW-280MAH2	0,355	3,10	59	106
RDAM ECM 2500 VRF24-PA	4100	PAW-280MAH2	0,355	3,10	59	106
RDAM ECG 1000 VRF10-PA	2190	PAW-160MAH2	0,213	1,86	61	55
RDAM ECG 1500 VRF13-PA	2920	PAW-160MAH2	0,284	2,48	62	80
RDAM ECG 1500 VRF15-PA	2920	PAW-160MAH2	0,284	2,48	62	80
RDAM ECG 2000 VRF20-PA	4380	PAW-280MAH2	0,426	3,72	63	105
RDAM ECG 2000 VRF24-PA	4380	PAW-280MAH2	0,426	3,72	63	105
RDAM ECG 2500 VRF25-PA	5110	PAW-280MAH2	0,497	4,34	64	114
RDAM ECG 2500 VRF29-PA	5110	PAW-280MAH2	0,497	4,34	64	114

#### PANASONIC VRF compatible Outdoor Units

Mini ECOi (Heat Pump)

ECOi & ECOg (Heat Pump / Heat Recovery)

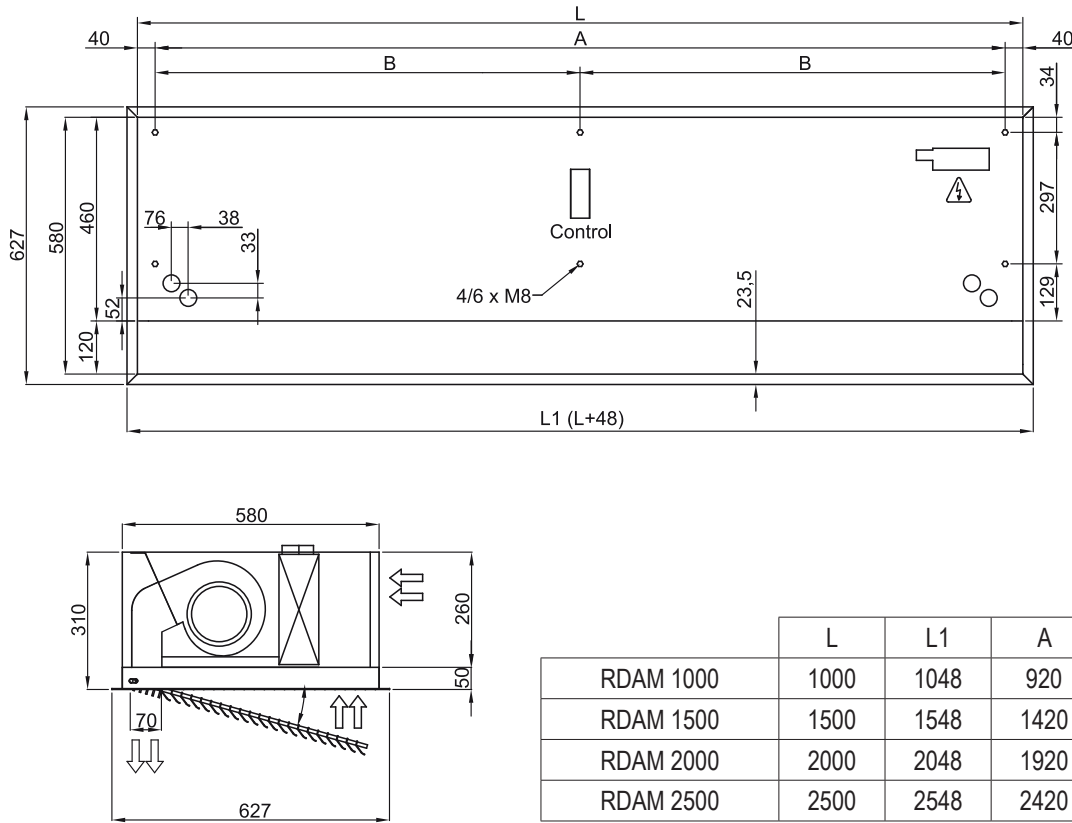


When adverse weather conditions, the outdoor unit capacity can decrease. It is recommendable to oversize the units.

**RECESSED DAM DX/VRF-PA | Heat Pump Energy Saving Air Curtains For PANASONIC Outdoor Units (1:1/VRF)**



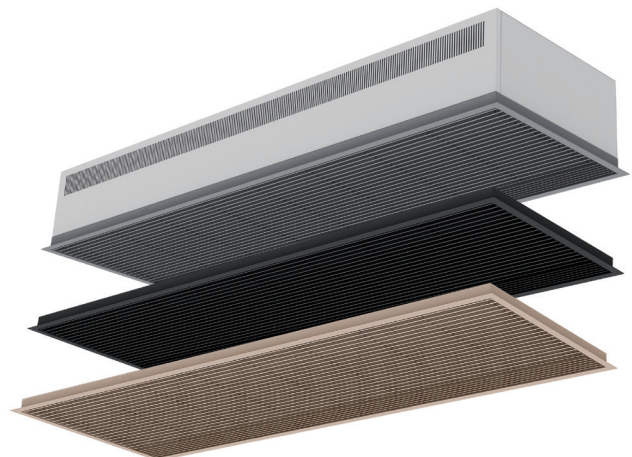
**Dimensions**



**Finishes and details**



Detail of exposed inlet grille



Customizable inlet grille in RAL color optionally