



BPS-B 140-60

PLASTIC HOUSING / Forward Curved

Fan Components and Material Properties

It has a plastic injection body and corrosion resistant galvanized steel fan. The external rotor motor is used to create a compact structure and the device is max. It is capable of carrying air at a temperature of 40°C.

Fan Structure

The forward sloped fan wheel is made of high quality galvanized steel which is resistant to corrosion and they are manufactured in aerodynamic structure to ensure regular flow. Thanks to its aerodynamic wing structure, it works quietly. The fan is made of high quality galvanized steel resistant to corrosion.

Benefits

It works with low noise levels and is designed to be maintenance-free for long periods of time. It can be mounted at desired angle and it has circular section output. Speed can be adjusted with speed control devices.

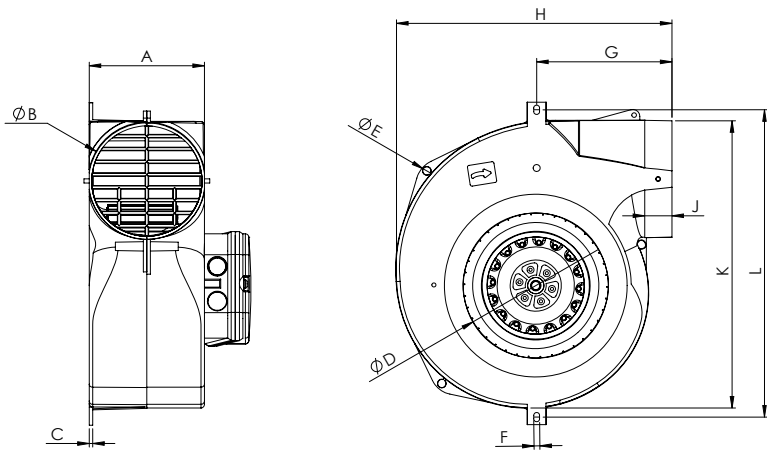
Speed Control

Optional control devices can be provided.
* Speed control can be done with linear voltage regulator. (see BSC accessory)

Usage Areas

Due to the plastic structure of the material is light, does not bring large loads where used. Not affected by corrosive air currents.

Technical Drawing and Tables

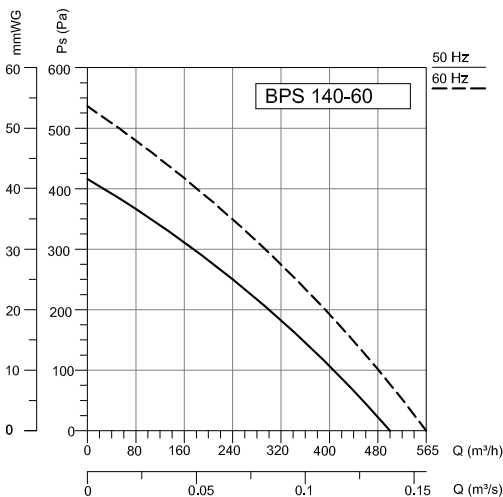


Dimensions are in (mm)

| TYPE | A | B | C | D | E | F | G | H | J | K | L |
|--------------|----|-----|---|-----|---|---|-----|-----|----|-----|-----|
| BPS-B 140-60 | 96 | 100 | 3 | 126 | 7 | 5 | 113 | 239 | 22 | 246 | 264 |

| TYPE | VOLTAGE | FREQUENCY | POWER | CURRENT | CAPACITOR | SPEED | AIR FLOW | SOUND PRESSURE | INSULATION CLASS | PROTECTION CLASS | WEIGHT |
|--------------|---------|-----------|---------|----------|-----------|-----------|-------------------|----------------|------------------|------------------|--------|
| | V | Hz | W | (A) | (μF) | r.p.m | m ³ /h | dB(A) | Ins.cl. | IP | kg |
| BPS-B 140-60 | 230 | 50/60 | 110/140 | 049/0,63 | 4 | 2570/2900 | 500/565 | 48 | B | 44 | 2,8 |

Sound Level Measured from 3m distance in room condition.



Accessories



BSC