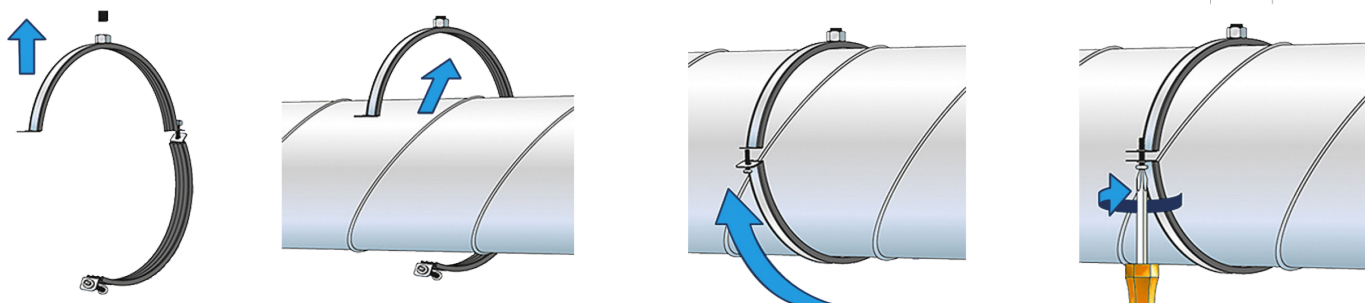
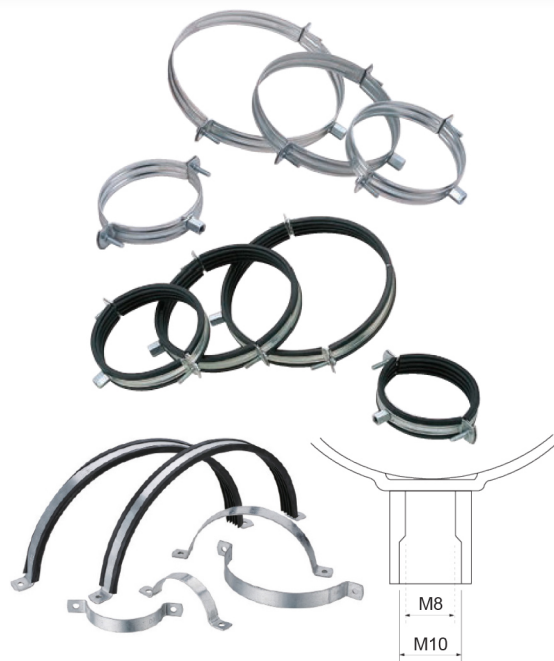


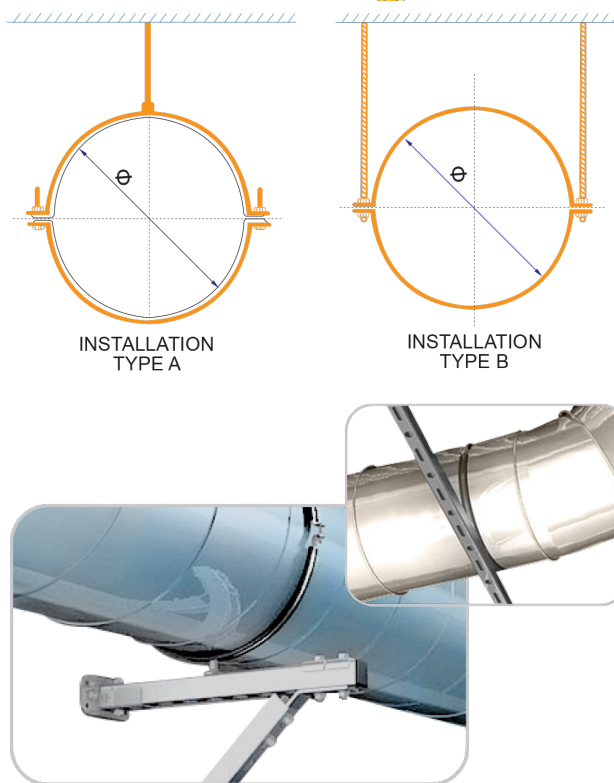
Ventilation Clamps

Spiral Clamps SCP are made of galvanized steel and are suitable for secure ceiling fixing of circular ducts (steel, spiral, plastic etc). Their large opening angle allows for quick and easy installation, while the two screws allow versatility for best fitting to the outer duct diameter.

- Type **SCP C** without rubber insulation, available in diameters from **80 mm to 1.000 mm**.
- Type **SCP D with rubber sound insulation**, available in diameters from **80 mm to 800 mm**. The rubber insulation has a form fitting in order to remain secured on the clamp and not fall out, during the placement of the duct.
- Loss protection design for the two screws.
- Installation type **A** and **B** depending on the clamps diameter.
- Connecting nut with combination thread **M8 / M10**, for ceiling installation with threaded rods or hanger bolts (installation type B).



DIAMETER mm	THICKNESS mm	MAX PERMISSIBLE WEIGHT kg	Pcs / BOX	INSTALLATION
80	1,8	700	60	Type A
100				
125				
150				
160				
180				
200			30	
225				
250				
280			2,5	
300				
315				
355				
400	10			
450				
500				
560				
630				
700				
800				



ΕΔΡΑ - ΑΘΗΝΑ

211-7055500
sales@airtechnic.gr

ΕΡΓΟΣΤΑΣΙΟ - ΘΗΒΑ
4ο χλμ. Θήβας - Χαλκίδας,
Τ.Κ.: 32200, Θήβα
22620 - 89006
factory@airtechnic.gr

ΕΡΓΟΣΤΑΣΙΟ - ΘΕΣΣΑΛΟΝΙΚΗ
Τέρμα προέκτασης Μαιάνδρου,
Τ.Κ.: 57013, Ωραιόκαστρο Θεσ/νίκη
2311 - 824000
thessaloniki@airtechnic.gr

